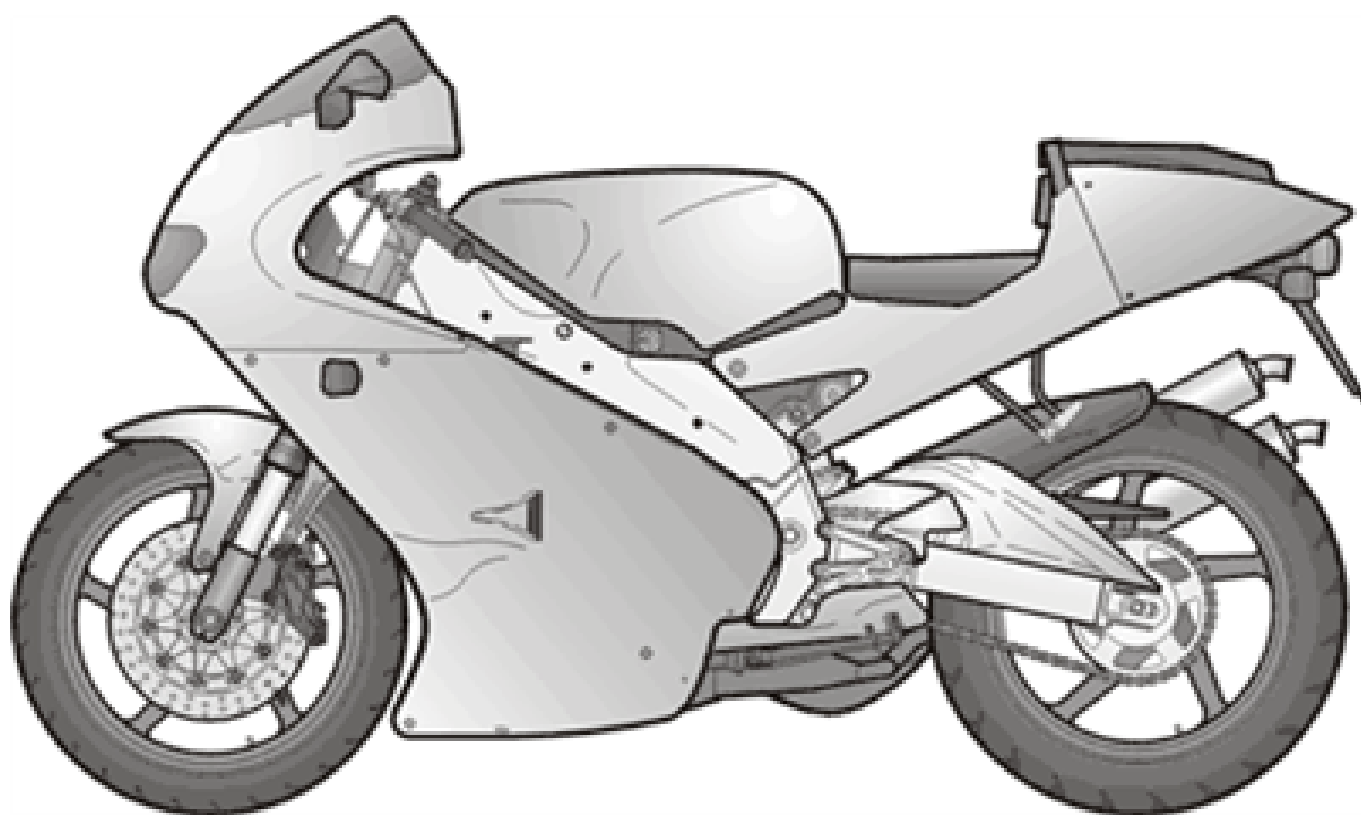




PIAGGIO & C.s.p.a.

aprilia

SPARE PARTS CATALOGUE



RS 250 1998-2003

Chassis prefix: ZD4LDA

Engine prefix:

RS 250

381W

Index

Products.....	4
Part reference.....	7
FRAME.....	14
Drawing 28.01 - Frame.....	14
Drawing 28.02 - Sattel support - Rear foot rests.....	15
Drawing 28.03 - Front footrests.....	17
Drawing 28.04 - Front fork I.....	18
Drawing 28.05 - Front fork II.....	19
Drawing 28.06 - Swing arm.....	20
Drawing 28.07 - Rear shock absorber.....	21
Drawing 28.08 - Front body I.....	22
Drawing 28.09 - Front body II.....	24
Drawing 28.10 - Fuel tank.....	25
Drawing 28.11 - Central body.....	27
Drawing 28.12 - Saddle unit.....	29
Drawing 28.13 - Door.....	31
Drawing 28.14 - Rear body I.....	32
Drawing 28.15 - Rear body II.....	33
Drawing 28.16 - Dashboard.....	34
Drawing 28.17 - Controls I.....	35
Drawing 28.18 - Controls II.....	36
Drawing 28.19 - Water cooler.....	37
Drawing 28.20 - Thermostat.....	38
Drawing 28.21 - Air box.....	39
Drawing 28.22 - Oil tank.....	40
Drawing 28.25 - Exhaust unit I.....	41
Drawing 28.26 - Exhaust unit II.....	42
Drawing 28.27 - Front wheel.....	43
Drawing 28.28 - Rear wheel.....	44
Drawing 28.29 - Rear master cylinder.....	46
Drawing 28.30 - Lights.....	47
Drawing 28.31 - Electrical system I.....	48
Drawing 28.32 - Electrical system II.....	49
Drawing 28.33 - Plate set and handbooks.....	50
Drawing 28.34 - Decal.....	51
Drawing 28.54 - Sattel supp./Swing arm-Chall.Vers.....	54
Drawing 28.55 - Body I - Challenge Version.....	56
Drawing 28.56 - Body II - Challenge Version.....	58
Drawing 28.57 - Front fork - Challenge Version.....	61
Drawing 28.58 - Fairing bow - Challenge Vers.....	64
Drawing 28.59 - Controls - Challenge Version.....	66
Drawing 28.60 - Exhaust unit - Challenge Version.....	68
Drawing 28.61 - Electrical system - Challenge Vers.....	71

ENGINE.....	74
Drawing 29.23 - Engine/Carburettor I.....	74
Drawing 29.24 - Engine/Carburettor II.....	75
Drawing 29.35 - Crankcase.....	76
Drawing 29.36 - Water pump.....	78
Drawing 29.37 - Oil pump.....	79
Drawing 29.38 - Drive shaft.....	80
Drawing 29.39 - Horizontal cylinder assembly.....	81
Drawing 29.40 - Vertical cylinder assembly.....	83
Drawing 29.41 - Valves assembly I.....	85
Drawing 29.42 - Valves assembly II.....	86
Drawing 29.43 - Ignition unit.....	87
Drawing 29.44 - Gear control assembly I.....	88
Drawing 29.45 - Gear control assembly II.....	89
Drawing 29.46 - Primary gear shaft.....	90
Drawing 29.47 - Driven shaft.....	91
Drawing 29.48 - Clutch.....	93
Drawing 29.49 - Starter assembly.....	94
Drawing 29.50 - Carburettor flange.....	95
Drawing 29.51 - Carburettor I.....	96
Drawing 29.52 - Carburettor II.....	97
Drawing 29.53 - Carburettor III.....	98
ACCESSORIES.....	99
Drawing 30.62 - Accessories Kit - Challenge Version.....	99
Drawing 30.63 - Acc. - Mechanics anti-theft.....	101

Products

Code	Validity
664C4US02UNC	
AP60100ES01	
AP66401IT02	
AP66402AU01	
AP66402AU02	
AP66402AU03	
AP66402AU05	
AP66402AU06	
AP66402AU07	
AP66402AU09	
AP66402BE01	
AP66402BE02	
AP66402BE03	
AP66402BE05	
AP66402BE07	
AP66402BR01	
AP66402BR02	
AP66402BR03	
AP66402BR04	
AP66402DE01	
AP66402DE02	
AP66402DE03	
AP66402DE04	
AP66402DE05	
AP66402DE06	
AP66402DE07	
AP66402DK01	
AP66402DK02	
AP66402DK03	
AP66402DK04	
AP66402DK05	
AP66402DK06	
AP66402DK07	
AP66402EL01	
AP66402EL02	
AP66402EL04	
AP66402EL07	
AP66402ES02	
AP66402ES03	
AP66402ES05	
AP66402ES07	
AP66402FR01	

Code	Validity
AP66402FR02	
AP66402FR03	
AP66402FR04	
AP66402FR05	
AP66402FR07	
AP66402GB01	
AP66402GB02	
AP66402GB03	
AP66402GB04	
AP66402GB05	
AP66402GB06	
AP66402GB07	
AP66402IT01	
AP66402IT02	
AP66402IT03	
AP66402IT04	
AP66402IT05	
AP66402IT06	
AP66402IT07	
AP66402JP01	
AP66402JP02	
AP66402JP03	
AP66402JP04	
AP66402JP05	
AP66402JP06	
AP66402JP07	
AP66402JP09	
AP66402MX09	
AP66402NL01	
AP66402NL02	
AP66402NL03	
AP66402NL04	
AP66402NL05	
AP66402NL07	
AP66402PT02	
AP66402PT03	
AP66402PT05	
AP66402PT07	
AP66403ES01	
AP66403ES03	
AP66403FR03	
AP66403FR04	
AP66403IT01	
AP66403IT02	
AP66403IT03	

Code	Validity
AP66404US02	
AP664A4US02	
AP664B4US02	
AP664C4US02	
AP7999003	
AP7999025	

Code	Drawing Nr.	Pos.	Code	Drawing Nr.	Pos.	Code	Drawing Nr.	Pos.
0000000	28.27	1	AP8102745	28.19	2	AP8113003	28.29	10
0000000	28.28	1	AP8102779	28.16	10	AP8113004	28.17	14
AP8101106	28.04	7	AP8102801	28.08	5	AP8113004	28.29	11
AP8101106	28.57	7	AP8102804	28.13	4	AP8113070	28.27	8
AP8101272	28.04	6	AP8102811	28.29	27	AP8113070	28.29	17
AP8101272	28.57	6	AP8102813	28.18	20	AP8113241	28.29	2
AP8101527	28.21	13	AP8102815	28.22	8	AP8113288	28.29	8
AP8101661	28.19	6	AP8102854	28.33	1	AP8113353	28.29	18
AP8101722	28.20	4	AP8102855	28.33	1	AP8113359	28.29	1
AP8101743	28.22	10	AP8102856	28.33	1	AP8113499	28.17	10
AP8101744	28.27	13	AP8102880	28.31	10	AP8113500	28.27	3
AP8101744	28.28	11	AP8102902	28.54	2	AP8113503	28.29	4
AP8101770	28.22	7	AP8102908	28.33	1	AP8113505	28.28	3
AP8101944	28.22	6	AP8102932	30.62	10	AP8113598	28.17	9
AP8102120	28.21	12	AP8102932	30.62	9	AP8113605	28.17	1
AP8102151	28.06	20	AP8102963	28.56	17	AP8113664	28.17	16
AP8102179	28.02	29	AP8104295	28.16	10	AP8113664	28.27	22
AP8102179	28.54	3	AP8104386	28.10	3	AP8113670	28.27	5
AP8102223	28.22	5	AP8105103	28.01	13	AP8113671	28.27	4
AP8102224	28.22	4	AP8106273	29.49	11	AP8113716	28.17	2
AP8102239	29.23	13	AP8106292	29.23	1	AP8113717	28.17	3
AP8102341	28.08	6	AP8106293	29.23	3	AP8113718	28.17	4
AP8102351	28.21	2	AP8106295	28.25	18	AP8113719	28.17	5
AP8102357	28.14	4	AP8106295	28.60	23	AP8113719	28.18	24
AP8102360	28.10	2	AP8106296	29.23	15	AP8113720	28.27	6
AP8102375	28.08	13	AP8106341	29.53	3	AP8113721	28.27	9
AP8102375	28.09	8	AP8106342	29.53	2	AP8113722	28.27	10
AP8102375	28.11	11	AP8106401	29.23	18	AP8113723	28.27	11
AP8102375	28.12	8	AP8106417	29.52	17	AP8113842	30.62	16
AP8102375	28.15	10	AP8106606	30.62	3	AP8114286	28.18	9
AP8102375	28.16	11	AP8106607	30.62	4	AP8114287	28.18	10
AP8102375	28.55	5	AP8107095	28.28	28	AP8114301	29.24	12
AP8102375	28.56	11	AP8107096	28.28	4	AP8114302	29.24	11
AP8102375	28.58	9	AP8107113	28.28	9	AP8114303	29.24	10
AP8102376	28.32	9	AP8107114	28.28	4	AP8114304	29.24	9
AP8102376	28.61	9	AP8107131	30.62	8	AP8114305	28.18	11
AP8102401	28.21	8	AP8107132	30.62	1	AP8114306	28.18	15
AP8102418	29.24	20	AP8107133	30.62	2	AP8114307	28.18	16
AP8102418	29.41	26	AP8108715	28.27	2	AP8114308	28.18	17
AP8102418	29.42	26	AP8108716	28.28	2	AP8114367	28.18	18
AP8102419	29.23	2	AP8110010	28.04	8	AP8114370	28.18	22
AP8102420	29.23	9	AP8110010	28.57	8	AP8114383	28.59	8
AP8102420	29.50	1	AP8110024	28.04	9	AP8114384	28.59	7
AP8102423	29.52	1	AP8110024	28.57	9	AP8117041	28.56	4
AP8102425	29.24	22	AP8110053	28.03	20	AP8117100	28.26	11
AP8102429	28.06	14	AP8110066	28.07	8	AP8117102	28.25	4
AP8102430	28.26	3	AP8110070	28.06	6	AP8117104	28.25	3
AP8102431	29.23	12	AP8110074	28.02	9	AP8117105	28.26	12
AP8102435	28.10	3	AP8110075	28.07	7	AP8118308	28.18	6
AP8102458	28.21	7	AP8110076	28.28	14	AP8118348	28.18	4
AP8102459	28.21	11	AP8112176	28.32	22	AP8118364	28.17	6
AP8102498	29.23	14	AP8112176	28.61	16	AP8118366	28.18	1
AP8102503	28.10	11	AP8112244	28.32	21	AP8118379	28.18	5
AP8102504	28.10	10	AP8112244	28.61	14	AP8118379	28.58	13
AP8102525	28.10	20	AP8112506	28.32	23	AP8118417	28.18	3
AP8102526	28.10	5	AP8112506	28.61	17	AP8118437	28.59	1
AP8102535	28.10	5	AP8112599	28.16	5	AP8118466	28.18	14
AP8102539	29.23	10	AP8112599	28.58	3	AP8118470	28.59	3
AP8102544	28.01	18	AP8112795	28.32	14	AP8118485	28.18	8
AP8102544	28.02	31	AP8112906	28.32	3	AP8118501	28.59	6
AP8102544	28.54	12	AP8112906	28.61	3	AP8118510	28.59	4
AP8102549	28.31	3	AP8112916	28.30	9	AP8118515	28.58	10
AP8102632	28.08	2	AP8112942	28.32	20	AP8119332	28.25	1
AP8102633	28.08	3	AP8112942	28.61	20	AP8119333	28.25	2
AP8102634	28.19	1	AP8112968	28.20	14	AP8119356	28.25	16
AP8102743	28.33	1	AP8112996	28.32	17	AP8119356	28.60	21
AP8102744	28.26	3	AP8113003	28.17	15	AP8119357	28.25	19

Code	Drawing Nr.	Pos.	Code	Drawing Nr.	Pos.	Code	Drawing Nr.	Pos.
AP8119357	28.60	24	AP8120949	28.28	15	AP8123803	28.05	5
AP8119358	28.25	17	AP8120950	28.21	5	AP8123804	28.05	6
AP8119358	28.60	25	AP8120951	28.32	12	AP8123805	28.05	7
AP8119384	28.26	1	AP8120951	28.56	16	AP8123806	28.05	8
AP8119391	28.25	1	AP8120951	28.61	12	AP8123807	28.05	9
AP8119392	28.25	2	AP8120965	28.08	11	AP8123808	28.05	3
AP8119399	28.26	2	AP8120965	28.55	2	AP8123809	28.05	13
AP8119437	28.26	1	AP8120976	28.17	8	AP8123810	28.05	12
AP8119502	28.60	1	AP8120976	28.29	3	AP8123811	28.05	24
AP8119503	28.60	2	AP8121020	28.31	8	AP8123812	28.05	23
AP8119504	28.60	3	AP8121041	28.02	17	AP8123813	28.05	14
AP8119505	28.60	5	AP8121041	28.57	17	AP8123814	28.05	15
AP8120001	28.14	6	AP8121041	28.58	5	AP8123815	28.05	16
AP8120030	28.14	8	AP8121134	28.03	13	AP8123816	28.05	17
AP8120030	28.17	18	AP8121291	28.02	24	AP8123817	28.05	18
AP8120030	28.19	11	AP8121291	28.54	10	AP8123818	28.05	19
AP8120177	28.14	5	AP8121295	28.15	8	AP8123819	28.05	21
AP8120223	28.15	15	AP8121296	28.15	9	AP8123820	28.05	22
AP8120311	28.02	23	AP8121302	28.04	11	AP8123821	28.05	20
AP8120311	28.54	11	AP8121303	28.08	9	AP8123874	30.62	5
AP8120335	28.60	4	AP8121309	28.31	18	AP8123929	28.19	19
AP8120340	28.07	6	AP8121338	28.57	11	AP8123930	28.19	20
AP8120354	28.19	3	AP8121716	28.26	7	AP8124050	28.32	5
AP8120416	28.17	12	AP8121731	28.19	12	AP8124050	28.61	5
AP8120428	28.31	21	AP8121764	28.10	17	AP8124052	28.18	23
AP8120446	28.19	9	AP8121819	28.15	7	AP8124054	28.31	2
AP8120531	28.06	13	AP8121842	28.29	6	AP8124134	28.30	4
AP8120531	28.11	10	AP8121856	28.29	5	AP8124135	28.30	3
AP8120531	28.56	10	AP8121867	28.11	9	AP8124142	28.30	17
AP8120536	28.20	11	AP8121867	28.56	9	AP8124202	28.32	11
AP8120542	28.04	5	AP8121884	28.06	7	AP8124202	28.61	11
AP8120542	28.57	5	AP8121885	28.07	10	AP8124288	28.31	15
AP8120573	28.02	11	AP8121890	28.54	13	AP8124330	28.18	13
AP8120573	28.03	15	AP8121898	28.06	11	AP8124331	28.18	7
AP8120638	28.26	8	AP8121899	28.06	9	AP8124347	28.32	4
AP8120699	28.11	8	AP8121917	28.03	8	AP8124349	28.32	4
AP8120699	28.56	8	AP8121918	28.02	7	AP8124349	28.61	4
AP8120708	28.56	5	AP8121918	28.03	9	AP8124428	28.32	16
AP8120754	28.32	19	AP8121919	28.07	5	AP8124429	28.30	1
AP8120754	28.61	19	AP8121923	28.06	4	AP8124463	28.16	1
AP8120806	28.28	8	AP8121925	28.06	12	AP8124492	28.30	15
AP8120807	28.28	7	AP8121939	28.03	11	AP8124495	28.31	9
AP8120837	28.21	6	AP8121940	28.03	12	AP8124513	28.30	1
AP8120838	28.07	14	AP8121942	28.29	16	AP8124520	28.22	3
AP8120840	28.20	3	AP8121948	29.23	5	AP8124525	28.30	5
AP8120841	28.20	5	AP8121948	29.35	3	AP8124526	28.18	13
AP8120842	28.19	5	AP8121950	29.23	16	AP8124527	28.30	18
AP8120843	28.20	10	AP8121950	29.35	6	AP8124599	28.59	5
AP8120846	28.06	5	AP8121960	28.03	19	AP8124633	28.32	15
AP8120869	28.10	12	AP8121961	28.07	21	AP8124634	28.30	16
AP8120872	28.06	8	AP8121962	28.07	22	AP8124675	28.31	1
AP8120893	28.10	4	AP8121963	28.25	7	AP8124699	28.61	15
AP8120894	28.10	6	AP8121963	28.60	14	AP8125651	28.06	2
AP8120895	28.02	10	AP8123243	28.04	2	AP8125654	28.28	6
AP8120895	28.59	2	AP8123243	28.57	2	AP8125655	28.28	17
AP8120902	28.01	16	AP8123712	28.07	1	AP8125656	28.28	10
AP8120902	29.23	22	AP8123724	28.05	1	AP8125657	28.28	19
AP8120910	28.31	16	AP8123725	28.05	2	AP8125658	28.28	16
AP8120912	28.03	7	AP8123726	28.04	10	AP8125687	28.28	22
AP8120912	28.29	14	AP8123726	28.57	10	AP8125728	28.27	16
AP8120913	28.10	8	AP8123727	28.04	3	AP8125761	28.27	12
AP8120914	28.10	7	AP8123727	28.57	3	AP8125763	28.28	18
AP8120937	28.01	14	AP8123734	28.04	4	AP8125773	28.28	26
AP8120947	28.25	9	AP8123734	28.57	4	AP8125774	28.28	13
AP8120947	28.60	16	AP8123800	28.05	10	AP8125775	28.28	12
AP8120948	28.25	11	AP8123801	28.05	11	AP8125776	28.28	27
AP8120948	28.60	19	AP8123802	28.05	4	AP8125777	28.27	17

Code	Drawing Nr.	Pos.	Code	Drawing Nr.	Pos.	Code	Drawing Nr.	Pos.
AP8125778	28.27	18	AP8138192	29.24	13	AP8144233	28.12	6
AP8125779	28.27	19	AP8138249	28.16	2	AP8144234	28.12	7
AP8126115	28.15	4	AP8138403	28.04	1	AP8146017	28.16	4
AP8126415	28.14	2	AP8138403	28.57	1	AP8146018	28.02	1
AP8126583	28.15	3	AP8138893	28.14	1	AP8146024	28.02	3
AP8126631	28.09	10	AP8138894	28.10	1	AP8146026	28.02	2
AP8126640	28.09	4	AP8138896	28.22	1	AP8146030	28.03	5
AP8126641	28.15	5	AP8138898	28.09	1	AP8146052	28.01	1
AP8126655	28.09	4	AP8138899	28.09	2	AP8146054	28.01	2
AP8126662	28.55	9	AP8138900	28.08	1	AP8146203	28.58	1
AP8126731	28.09	4	AP8138902	28.11	1	AP8146204	28.54	1
AP8126751	28.09	4	AP8138904	28.11	2	AP8146205	28.54	15
AP8126846	28.09	4	AP8138907	28.15	2	AP8146205	30.62	6
AP8126846	28.09	4	AP8138909	28.13	1	AP8147129	28.33	3
AP8126849	28.09	4	AP8138915	28.12	1	AP8147491	28.33	4
AP8127164	28.30	23	AP8138916	28.08	4	AP8147545	28.30	19
AP8127230	28.30	20	AP8138916	28.08	4	AP8147546	28.30	8
AP8129188	28.12	2	AP8138916	28.08	4	AP8147563	28.33	4
AP8129189	28.15	1	AP8138917	28.14	3	AP8147564	28.33	5
AP8129203	28.12	3	AP8138941	28.09	5	AP8147565	28.33	2
AP8129212	28.13	2	AP8138942	28.08	8	AP8147642	28.33	4
AP8131905	28.21	3	AP8139065	28.11	6	AP8147673	28.34	1
AP8131906	28.21	1	AP8139123	28.16	3	AP8147674	28.34	1
AP8131907	28.21	4	AP8139380	28.10	1	AP8147674	30.62	12
AP8131925	28.06	3	AP8139380	28.10	1	AP8147675	28.34	2
AP8131932	28.09	3	AP8139380	28.56	6	AP8147676	28.34	2
AP8134186	28.06	17	AP8139381	28.08	1	AP8147676	30.62	13
AP8134283	28.17	11	AP8139382	28.11	1	AP8147677	28.34	3
AP8134309	29.23	6	AP8139383	28.11	2	AP8147678	28.34	3
AP8134310	28.18	12	AP8139384	28.11	6	AP8147678	30.62	14
AP8134322	28.10	13	AP8139385	28.15	2	AP8147679	28.34	4
AP8134328	28.01	15	AP8139670	28.56	18	AP8147680	28.34	4
AP8134332	28.11	3	AP8139671	28.55	10	AP8147680	30.62	15
AP8134332	28.56	3	AP8139672	28.55	6	AP8147681	28.34	5
AP8134334	28.25	8	AP8139673	28.55	1	AP8147787	28.33	3
AP8134334	28.60	15	AP8139674	28.56	1	AP8147838	28.33	4
AP8134355	28.26	5	AP8139675	28.56	2	AP8147954	28.33	6
AP8134438	28.04	14	AP8139676	28.56	19	AP8147956	28.33	4
AP8134438	28.57	14	AP8139724	28.08	4	AP8148663	28.08	4
AP8134446	28.30	6	AP8139779	28.08	1	AP8148998	28.10	1
AP8134461	28.19	4	AP8139780	28.11	1	AP8148999	28.08	1
AP8134462	28.11	13	AP8139781	28.11	2	AP8149001	28.11	1
AP8134462	28.56	13	AP8139782	28.11	6	AP8149002	28.11	2
AP8134463	28.11	12	AP8139782	28.11	6	AP8149003	28.15	2
AP8134463	28.56	12	AP8139782	28.11	6	AP8149004	28.12	1
AP8134464	28.28	5	AP8139783	28.13	1	AP8149006	28.12	6
AP8134538	28.60	6	AP8139784	28.15	2	AP8149007	28.12	7
AP8135508	28.07	15	AP8139785	28.12	1	AP8149008	28.13	1
AP8135509	28.07	3	AP8139965	28.10	1	AP8149014	28.10	1
AP8135513	28.01	4	AP8139966	28.08	1	AP8149015	28.08	1
AP8135514	28.03	3	AP8139967	28.11	1	AP8149016	28.11	1
AP8135516	28.29	15	AP8139968	28.11	2	AP8149017	28.11	2
AP8135517	28.03	2	AP8139969	28.11	6	AP8149018	28.11	6
AP8135518	28.03	6	AP8139970	28.13	1	AP8149019	28.15	2
AP8135608	28.07	11	AP8139971	28.15	2	AP8149160	28.13	1
AP8135617	28.02	8	AP8139972	28.12	1	AP8149161	28.12	1
AP8135628	28.03	1	AP8144104	28.13	3	AP8149162	28.12	6
AP8135735	28.02	15	AP8144109	28.55	3	AP8149163	28.12	7
AP8135735	28.12	10	AP8144110	28.19	8	AP8149889	28.10	1
AP8135735	28.54	6	AP8144139	28.12	4	AP8149890	28.08	1
AP8135781	28.01	3	AP8144140	28.12	5	AP8149891	28.11	1
AP8135803	28.06	1	AP8144141	28.32	18	AP8149892	28.11	2
AP8135842	28.03	4	AP8144141	28.61	18	AP8149893	28.13	1
AP8135860	28.03	10	AP8144144	28.12	6	AP8149894	28.15	2
AP8135861	28.02	5	AP8144145	28.12	7	AP8149895	28.12	1
AP8137693	28.33	5	AP8144194	28.12	6	AP8149896	28.12	6
AP8137695	28.33	2	AP8144195	28.12	7	AP8149897	28.12	7

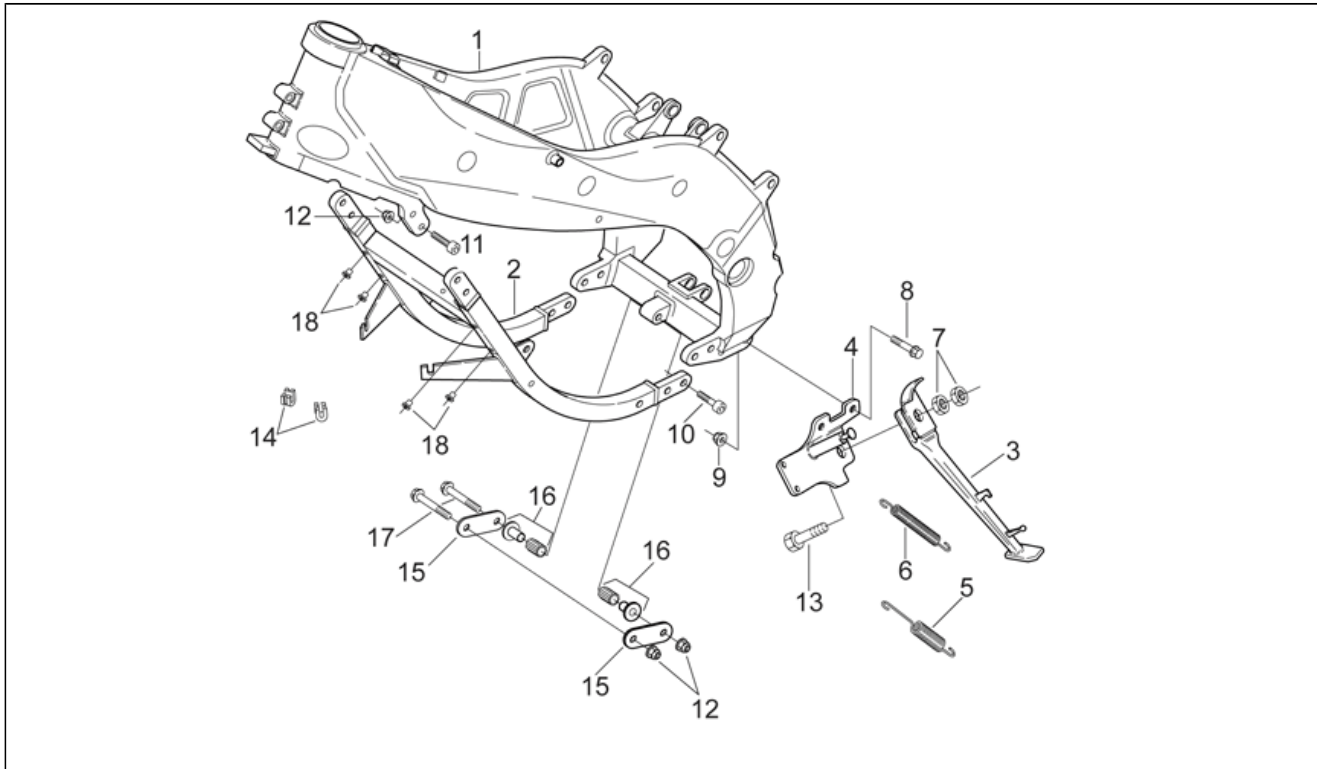
Code	Drawing Nr.	Pos.	Code	Drawing Nr.	Pos.	Code	Drawing Nr.	Pos.
AP8150015	28.10	15	AP8150450	28.55	4	AP8152287	29.23	8
AP8150015	28.14	11	AP8150472	28.59	9	AP8152288	28.02	20
AP8150015	28.16	7	AP8152001	28.01	7	AP8152288	28.17	20
AP8150015	28.25	5	AP8152013	28.07	2	AP8152288	28.18	19
AP8150015	28.26	10	AP8152034	28.31	12	AP8152288	28.28	20
AP8150015	28.32	7	AP8152040	28.10	9	AP8152288	28.58	12
AP8150015	28.61	7	AP8152043	28.60	10	AP8152289	28.01	8
AP8150017	28.31	11	AP8152089	28.06	18	AP8152289	28.04	13
AP8150017	28.31	22	AP8152105	28.29	24	AP8152289	28.57	13
AP8150020	28.07	18	AP8152128	28.54	14	AP8152290	28.26	4
AP8150020	29.23	20	AP8152138	28.03	23	AP8152291	28.02	22
AP8150025	28.21	10	AP8152166	28.15	12	AP8152294	28.01	17
AP8150026	28.03	22	AP8152246	28.08	12	AP8152298	28.06	10
AP8150050	28.10	18	AP8152246	28.19	18	AP8152298	28.06	19
AP8150072	28.29	25	AP8152246	28.21	14	AP8152298	28.08	7
AP8150101	28.07	13	AP8152246	28.22	9	AP8152298	28.09	9
AP8150107	28.02	26	AP8152262	28.28	25	AP8152298	28.11	5
AP8150107	28.03	24	AP8152268	28.06	16	AP8152298	28.14	9
AP8150107	28.12	12	AP8152272	28.02	30	AP8152298	28.55	7
AP8150107	28.54	8	AP8152272	28.03	17	AP8152298	28.56	15
AP8150157	28.15	6	AP8152272	28.04	15	AP8152299	28.15	13
AP8150158	28.30	11	AP8152272	28.16	12	AP8152299	28.16	6
AP8150164	28.02	27	AP8152272	28.57	15	AP8152299	28.16	9
AP8150164	28.12	9	AP8152272	28.58	8	AP8152299	28.17	13
AP8150164	28.54	7	AP8152272	29.23	19	AP8152299	28.19	14
AP8150165	28.11	14	AP8152273	28.29	28	AP8152299	28.19	17
AP8150165	28.56	14	AP8152274	28.21	9	AP8152299	28.29	13
AP8150170	28.03	25	AP8152274	28.31	17	AP8152299	28.32	6
AP8150171	28.01	10	AP8152277	28.09	7	AP8152299	28.58	7
AP8150176	28.10	19	AP8152277	28.17	19	AP8152299	28.60	13
AP8150178	28.25	14	AP8152277	28.19	15	AP8152299	28.61	6
AP8150178	28.60	22	AP8152277	28.26	9	AP8152300	28.01	12
AP8150204	28.30	14	AP8152277	28.60	12	AP8152300	28.01	9
AP8150204	28.60	9	AP8152278	28.11	4	AP8152300	28.02	16
AP8150210	28.07	20	AP8152278	28.19	13	AP8152300	28.25	15
AP8150211	28.04	12	AP8152278	28.25	13	AP8152300	28.26	6
AP8150211	28.57	12	AP8152278	28.32	10	AP8152300	28.28	21
AP8150220	28.18	21	AP8152278	28.61	10	AP8152300	28.54	4
AP8150227	28.07	19	AP8152278	29.23	11	AP8152300	28.60	8
AP8150236	28.01	11	AP8152279	28.02	4	AP8152301	28.02	12
AP8150236	28.05	25	AP8152279	28.03	26	AP8152301	28.07	17
AP8150252	28.30	13	AP8152279	28.17	7	AP8152301	29.23	21
AP8150270	28.30	10	AP8152279	28.32	8	AP8152301	29.35	25
AP8150277	28.02	25	AP8152279	28.61	8	AP8152302	28.09	11
AP8150277	28.12	11	AP8152280	28.02	28	AP8152302	28.15	14
AP8150277	28.54	9	AP8152280	28.14	10	AP8152302	28.16	13
AP8150333	28.60	11	AP8152280	28.19	10	AP8152302	28.55	8
AP8150334	28.25	12	AP8152280	28.32	13	AP8152302	28.56	20
AP8150334	28.60	20	AP8152280	28.54	5	AP8152305	28.28	24
AP8150349	28.31	19	AP8152280	28.61	13	AP8152306	28.13	7
AP8150371	28.30	7	AP8152281	28.02	18	AP8152306	28.30	12
AP8150376	28.03	16	AP8152281	28.04	16	AP8152323	28.27	15
AP8150388	28.25	6	AP8152281	28.17	21	AP8152335	28.27	14
AP8150388	28.60	17	AP8152281	28.29	12	AP8152336	28.27	21
AP8150413	28.09	6	AP8152281	28.57	16	AP8152338	28.15	11
AP8150430	28.29	26	AP8152281	28.58	11	AP8152339	28.09	13
AP8150431	28.02	21	AP8152281	28.58	4	AP8156068	28.09	4
AP8150432	28.07	12	AP8152284	28.10	14	AP8156069	28.14	2
AP8150438	29.23	17	AP8152284	28.16	8	AP8157315	28.34	1
AP8150438	29.35	5	AP8152284	28.31	7	AP8157316	28.34	1
AP8150439	29.23	4	AP8152284	28.58	6	AP8157317	28.34	2
AP8150439	29.35	4	AP8152285	28.02	6	AP8157318	28.34	2
AP8150442	28.07	4	AP8152285	28.27	20	AP8157319	28.34	3
AP8150446	28.03	14	AP8152285	28.28	23	AP8157320	28.34	3
AP8150447	28.03	18	AP8152286	28.60	7	AP8157321	28.34	4
AP8150448	28.07	9	AP8152287	28.29	22	AP8157322	28.34	4
AP8150450	28.08	10	AP8152287	28.31	20	AP8157323	28.34	5

Code	Drawing Nr.	Pos.	Code	Drawing Nr.	Pos.	Code	Drawing Nr.	Pos.
AP8157341	30.62	11	AP8221206	28.02	13	AP8600035	29.42	12
AP8157770	28.04	17	AP8221211	28.01	6	AP8600036	29.41	13
AP8157770	28.57	19	AP8224389	28.30	22	AP8600036	29.41	13
AP8167027	28.34	1	AP8224390	28.30	21	AP8600037	29.41	14
AP8167028	28.34	2	AP8230535	28.32	2	AP8600037	29.42	14
AP8167029	28.34	3	AP8230535	28.61	2	AP8600038	29.41	15
AP8167030	28.34	4	AP8234020	28.06	15	AP8600038	29.42	15
AP8167031	28.34	5	AP8600001	29.39	1	AP8600040	29.41	17
AP8167032	28.34	1	AP8600001	29.40	1	AP8600040	29.42	17
AP8167033	28.34	2	AP8600002	29.39	2	AP8600041	29.41	18
AP8167034	28.34	3	AP8600002	29.40	2	AP8600041	29.42	18
AP8167035	28.34	4	AP8600003	29.39	3	AP8600042	29.41	19
AP8167634	28.34	1	AP8600003	29.40	3	AP8600042	29.42	19
AP8167635	28.34	2	AP8600004	29.39	4	AP8600043	29.41	20
AP8167636	28.34	3	AP8600004	29.40	4	AP8600043	29.42	20
AP8167637	28.34	4	AP8600005	29.39	6	AP8600044	29.41	21
AP8167638	28.34	5	AP8600005	29.40	6	AP8600044	29.42	21
AP8168786	28.10	1	AP8600006	29.39	7	AP8600045	29.41	22
AP8168787	28.08	1	AP8600006	29.40	7	AP8600045	29.42	22
AP8168788	28.11	1	AP8600007	29.39	8	AP8600046	29.41	23
AP8168789	28.11	2	AP8600007	29.40	8	AP8600046	29.42	23
AP8168790	28.11	6	AP8600008	29.39	9	AP8600047	29.41	24
AP8168791	28.13	1	AP8600008	29.40	9	AP8600047	29.42	24
AP8168792	28.15	2	AP8600010	29.39	10	AP8600048	29.41	25
AP8168793	28.12	1	AP8600010	29.40	10	AP8600048	29.42	25
AP8168794	28.12	6	AP8600011	29.35	28	AP8600049	29.41	11
AP8168795	28.12	7	AP8600011	29.39	11	AP8600049	29.42	11
AP8177620	28.34	1	AP8600011	29.40	11	AP8600050	29.41	10
AP8177621	28.34	2	AP8600012	29.39	12	AP8600050	29.42	10
AP8177622	28.34	3	AP8600012	29.40	12	AP8600051	29.41	9
AP8177623	28.34	4	AP8600013	29.39	13	AP8600051	29.42	9
AP8177624	28.34	5	AP8600013	29.40	13	AP8600052	29.41	8
AP8201287	28.11	7	AP8600014	29.39	14	AP8600052	29.42	8
AP8201287	28.56	7	AP8600014	29.40	14	AP8600053	29.41	7
AP8201409	28.20	12	AP8600015	29.39	15	AP8600053	29.42	7
AP8201748	28.13	5	AP8600015	29.40	15	AP8600054	29.41	6
AP8201749	28.13	6	AP8600016	29.39	16	AP8600054	29.42	6
AP8201848	28.13	8	AP8600016	29.40	16	AP8600055	29.41	5
AP8201877	28.02	14	AP8600017	29.39	17	AP8600055	29.42	5
AP8202058	28.09	12	AP8600017	29.40	17	AP8600056	29.41	4
AP8210007	28.03	21	AP8600018	29.39	18	AP8600056	29.42	4
AP8210007	28.29	9	AP8600018	29.40	18	AP8600057	29.41	3
AP8212110	28.32	1	AP8600019	29.39	19	AP8600057	29.42	3
AP8212110	28.61	1	AP8600019	29.40	19	AP8600058	29.41	2
AP8212469	28.31	13	AP8600020	29.39	20	AP8600058	29.42	2
AP8212680	28.30	2	AP8600020	29.40	20	AP8600059	29.41	1
AP8212708	28.20	16	AP8600021	29.39	21	AP8600059	29.42	1
AP8213057	28.29	7	AP8600021	29.40	21	AP8600060	29.35	1
AP8213172	28.29	21	AP8600022	29.39	22	AP8600061	29.35	26
AP8213193	28.27	7	AP8600022	29.40	22	AP8600062	29.35	27
AP8213197	28.29	20	AP8600023	29.39	23	AP8600065	29.35	21
AP8213198	28.29	19	AP8600023	29.40	23	AP8600066	29.35	20
AP8213199	28.29	23	AP8600024	29.39	24	AP8600067	29.35	23
AP8218077	28.18	2	AP8600024	29.40	24	AP8600069	29.35	22
AP8220104	28.07	16	AP8600025	29.39	25	AP8600070	29.35	29
AP8220154	28.22	2	AP8600025	29.40	25	AP8600071	29.24	16
AP8220191	28.19	7	AP8600026	29.39	5	AP8600071	29.35	24
AP8220192	28.10	16	AP8600026	29.40	5	AP8600071	29.45	17
AP8220238	28.02	19	AP8600027	29.24	1	AP8600072	29.46	16
AP8220283	28.31	14	AP8600028	29.24	2	AP8600073	29.46	14
AP8220349	28.12	13	AP8600029	29.24	3	AP8600074	29.46	15
AP8220402	28.19	16	AP8600030	29.24	4	AP8600075	29.46	21
AP8221023	28.14	7	AP8600031	29.24	5	AP8600076	29.46	22
AP8221023	28.17	17	AP8600032	29.24	6	AP8600077	29.35	31
AP8221056	28.25	10	AP8600033	29.24	8	AP8600077	29.37	12
AP8221056	28.60	18	AP8600034	29.24	7	AP8600078	29.35	30
AP8221204	28.01	5	AP8600035	29.41	12	AP8600079	29.35	2

Code	Drawing Nr.	Pos.	Code	Drawing Nr.	Pos.	Code	Drawing Nr.	Pos.
AP8600080	29.50	5	AP8600146	29.53	3	AP8600222	29.37	22
AP8600081	29.50	6	AP8600147	29.53	7	AP8600223	29.37	23
AP8600082	29.50	7	AP8600148	29.53	8	AP8600224	29.37	24
AP8600083	29.50	8	AP8600149	29.53	5	AP8600225	29.37	25
AP8600084	29.50	9	AP8600150	29.53	4	AP8600226	29.37	26
AP8600085	29.50	10	AP8600151	29.53	6	AP8600227	29.37	27
AP8600086	29.50	4	AP8600152	29.53	9	AP8600228	29.36	1
AP8600087	29.50	3	AP8600153	29.53	13	AP8600229	29.36	2
AP8600088	29.50	2	AP8600154	29.53	14	AP8600230	29.36	3
AP8600090	29.35	7	AP8600155	29.53	15	AP8600231	29.36	4
AP8600091	29.35	8	AP8600156	29.53	12	AP8600232	29.36	5
AP8600092	29.35	11	AP8600157	29.51	5	AP8600233	29.36	6
AP8600093	29.35	12	AP8600159	29.53	10	AP8600234	29.36	7
AP8600094	29.35	14	AP8600160	29.53	19	AP8600235	29.36	8
AP8600095	29.35	13	AP8600161	29.53	16	AP8600236	29.36	10
AP8600096	29.35	9	AP8600162	29.53	17	AP8600237	29.36	9
AP8600097	29.35	10	AP8600163	29.53	18	AP8600238	29.36	11
AP8600098	29.35	17	AP8600164	29.51	7	AP8600239	29.36	12
AP8600099	29.35	18	AP8600165	29.52	15	AP8600240	29.36	13
AP8600100	29.35	15	AP8600166	29.52	14	AP8600241	29.36	14
AP8600101	29.35	16	AP8600167	29.52	13	AP8600242	29.36	15
AP8600102	29.43	10	AP8600168	29.52	12	AP8600243	29.36	16
AP8600103	29.43	11	AP8600169	29.23	7	AP8600244	29.36	17
AP8600104	29.43	12	AP8600169	29.51	10	AP8600245	29.36	18
AP8600105	29.38	1	AP8600170	29.51	4	AP8600246	29.36	19
AP8600106	29.38	2	AP8600171	29.51	3	AP8600247	29.36	20
AP8600107	29.38	3	AP8600172	29.52	17	AP8600248	29.36	21
AP8600108	29.38	4	AP8600175	29.51	12	AP8600249	29.36	22
AP8600109	29.38	5	AP8600176	29.51	9	AP8600250	29.36	23
AP8600110	29.38	6	AP8600177	29.53	1	AP8600253	28.20	13
AP8600111	29.38	7	AP8600178	29.52	19	AP8600254	28.20	8
AP8600112	29.38	8	AP8600180	29.51	6	AP8600255	28.20	7
AP8600113	29.38	9	AP8600181	29.52	16	AP8600256	28.20	9
AP8600114	29.38	10	AP8600182	29.52	18	AP8600257	28.20	6
AP8600115	29.38	11	AP8600184	29.24	25	AP8600258	28.20	1
AP8600116	29.38	12	AP8600184	29.51	8	AP8600259	28.20	2
AP8600117	29.38	13	AP8600193	29.24	14	AP8600260	28.20	15
AP8600118	29.38	14	AP8600194	29.24	15	AP8600261	29.48	1
AP8600120	29.38	16	AP8600195	29.24	24	AP8600262	29.48	2
AP8600121	29.38	17	AP8600196	29.24	18	AP8600263	29.48	3
AP8600122	29.38	18	AP8600197	29.24	17	AP8600264	29.48	4
AP8600123	29.38	19	AP8600198	29.24	23	AP8600265	29.48	5
AP8600124	29.38	20	AP8600199	29.24	26	AP8600266	29.48	6
AP8600125	29.38	21	AP8600200	29.24	19	AP8600267	29.48	7
AP8600126	29.38	22	AP8600200	29.51	11	AP8600268	29.48	8
AP8600128	29.39	26	AP8600201	29.24	21	AP8600269	29.48	9
AP8600128	29.40	26	AP8600202	29.37	1	AP8600270	29.48	10
AP8600129	29.39	29	AP8600203	29.37	2	AP8600271	29.48	11
AP8600129	29.40	29	AP8600204	29.37	3	AP8600272	29.48	12
AP8600130	29.39	28	AP8600205	29.37	4	AP8600273	29.48	13
AP8600130	29.40	28	AP8600206	29.37	5	AP8600274	29.48	14
AP8600131	29.38	23	AP8600207	29.37	6	AP8600275	29.48	15
AP8600132	29.38	24	AP8600208	29.37	7	AP8600276	29.48	16
AP8600133	29.51	2	AP8600209	29.37	8	AP8600277	29.48	17
AP8600134	29.51	1	AP8600210	29.37	9	AP8600278	29.48	18
AP8600135	29.52	5	AP8600211	29.37	10	AP8600279	29.48	19
AP8600136	29.52	6	AP8600212	29.37	11	AP8600280	29.48	20
AP8600137	29.52	4	AP8600212	29.38	15	AP8600281	29.48	21
AP8600137	29.53	11	AP8600214	29.37	13	AP8600282	29.48	22
AP8600138	29.52	2	AP8600215	29.37	14	AP8600284	29.48	24
AP8600139	29.52	3	AP8600215	29.37	16	AP8600285	29.48	25
AP8600140	29.52	7	AP8600216	29.37	15	AP8600286	29.48	23
AP8600141	29.52	8	AP8600217	29.37	17	AP8600287	29.46	9
AP8600142	29.52	9	AP8600218	29.37	18	AP8600288	29.46	2
AP8600143	29.52	10	AP8600219	29.37	19	AP8600289	29.46	5
AP8600144	29.52	11	AP8600220	29.37	20	AP8600290	29.46	8
AP8600145	29.53	2	AP8600221	29.37	21	AP8600291	29.46	3

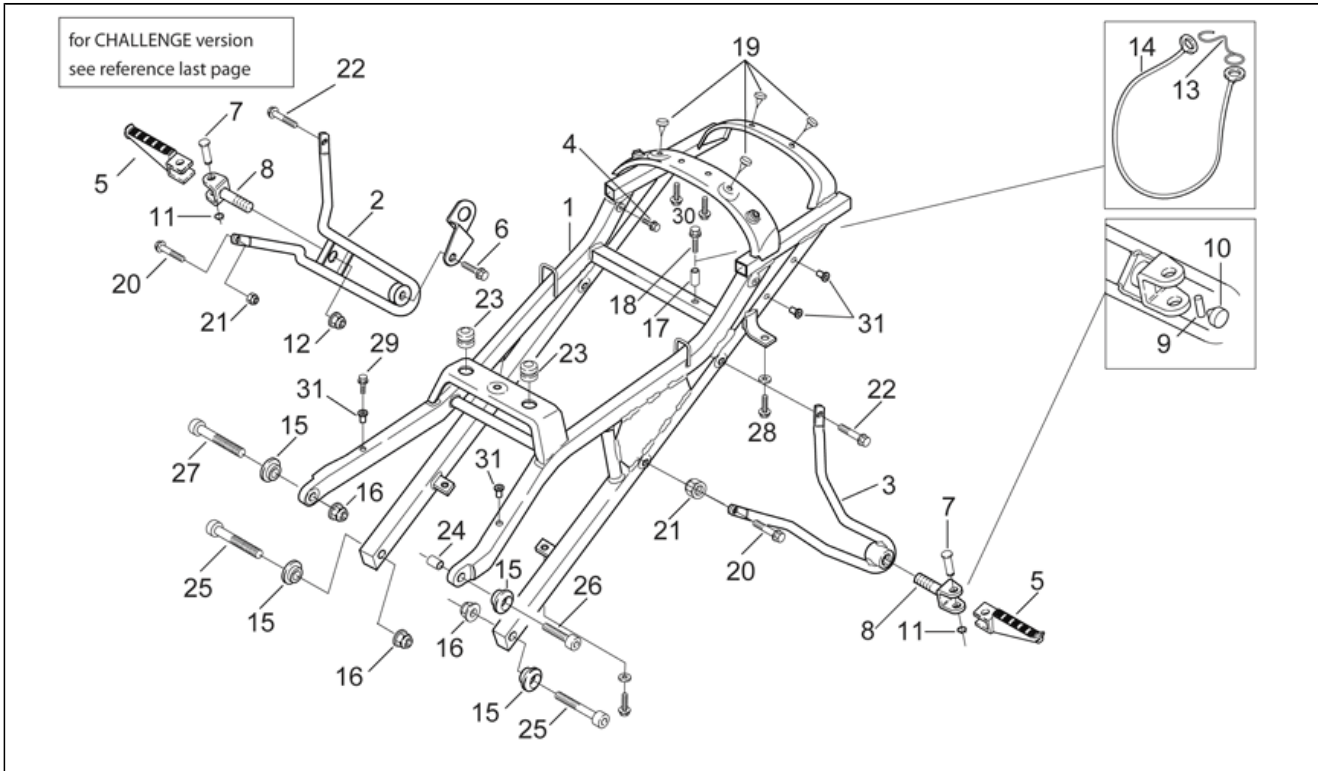
Code	Drawing Nr.	Pos.	Code	Drawing Nr.	Pos.
AP8600292	29.46	1	AP8600359	29.45	3
AP8600293	29.46	7	AP8600360	29.45	1
AP8600294	29.46	4	AP8600361	29.45	4
AP8600295	29.46	6	AP8600362	29.45	13
AP8600296	29.46	10	AP8600363	29.35	19
AP8600297	29.46	20	AP8600364	29.49	1
AP8600298	29.47	9	AP8600365	29.49	2
AP8600299	29.47	21	AP8600366	29.49	3
AP8600300	29.47	10	AP8600368	29.49	6
AP8600301	29.47	17	AP8600369	29.49	7
AP8600302	29.47	18	AP8600370	29.49	8
AP8600303	29.47	19	AP8600371	29.49	9
AP8600305	29.47	26	AP8600372	29.49	10
AP8600306	29.47	20	AP8600373	29.43	1
AP8600307	29.47	11	AP8600374	29.43	2
AP8600308	29.47	16	AP8600375	29.43	3
AP8600309	29.47	12	AP8600376	29.43	4
AP8600310	29.47	15	AP8600377	29.43	5
AP8600311	29.47	14	AP8600378	29.43	6
AP8600312	29.47	8	AP8600379	29.43	7
AP8600313	29.47	7	AP8600380	29.43	8
AP8600314	29.47	22	AP8600381	29.43	9
AP8600315	29.47	23	AP8600382	28.31	4
AP8600316	29.47	24	AP8600383	28.31	6
AP8600316	29.49	5	AP8600384	28.31	5
AP8600318	29.47	3	AP8600400	28.20	17
AP8600319	29.47	4	AP8600401	29.51	2
AP8600320	29.47	5	AP8600402	29.51	1
AP8600321	29.47	6	AP8600404	29.47	32
AP8600322	29.47	27	AP8600405	29.47	13
AP8600323	29.47	28	AP8600406	29.45	7
AP8600324	29.47	29	AP8600407	29.49	4
AP8600325	29.47	2	AP8600408	29.46	19
AP8600326	29.47	1	AP8600409	29.39	27
AP8600327	29.47	25	AP8600409	29.40	27
AP8600328	29.47	31	AP8600410	29.46	11
AP8600329	29.46	18	AP8600411	29.41	16
AP8600330	29.47	30	AP8600411	29.42	16
AP8600331	29.46	17	AP8600412	29.46	12
AP8600332	29.45	5	AP8600412	29.46	13
AP8600333	29.45	6	AP8705007	30.62	7
AP8600335	29.45	8	AP8705009	28.57	18
AP8600336	29.45	9	AP8705009	28.58	2
AP8600337	29.45	10	AP8720115	30.63	1
AP8600338	29.45	11	AP8720116	30.63	2
AP8600339	29.45	12	AP8720117	30.63	3
AP8600340	29.44	8	AP8720118	30.63	4
AP8600341	29.45	14			
AP8600342	29.44	9			
AP8600342	29.45	15			
AP8600343	29.44	10			
AP8600343	29.45	16			
AP8600344	29.45	18			
AP8600345	29.45	19			
AP8600346	29.45	20			
AP8600347	29.45	21			
AP8600348	29.45	22			
AP8600349	29.45	23			
AP8600350	29.45	24			
AP8600351	29.44	1			
AP8600352	29.44	6			
AP8600353	29.44	5			
AP8600354	29.44	7			
AP8600355	29.44	3			
AP8600356	29.44	2			
AP8600357	29.44	4			
AP8600358	29.45	2			

Assembly	FRAME
Code	28.01
Description	Frame
Revision	1



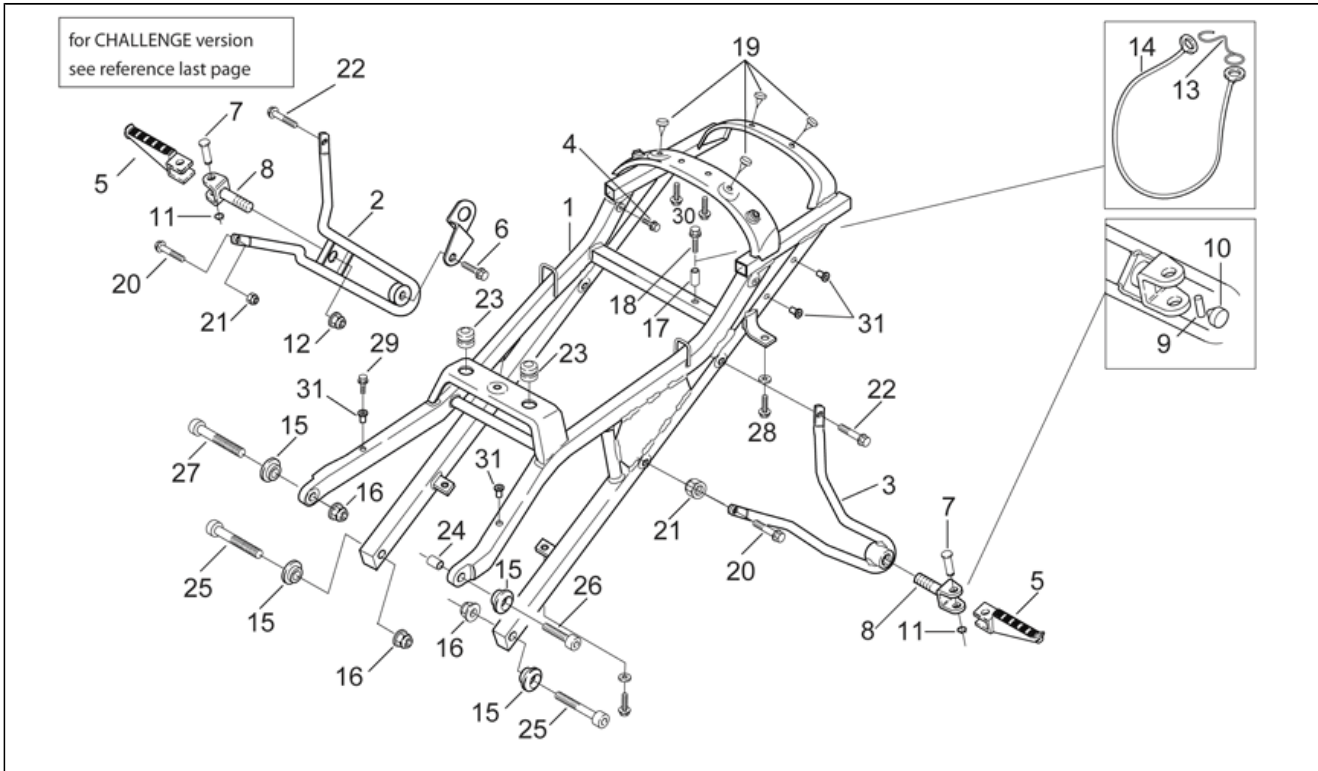
Pos.	Code	Description	Q.ty	Variants
1	AP8146052	Frame	1	
2	AP8146054	Painted cradle	1	
3	AP8135781	Lateral stand	1	
4	AP8135513	Stand plate w. phor ctng.	1	
5	AP8221204	Lateral stand spring	1	
6	AP8221211	Internal lateral stand spring	1	
7	AP8152001	Low nut M10x1,25*	2	
8	AP8152289	Screw w/ flange M8x35*	2	
9	AP8152300	Self-locking nut M8*	2	
10	AP8150171	Hex socket screw M8x40*	4	
11	AP8150236	Hex socket screw M8x35	5	
12	AP8152300	Self-locking nut M8*	7	
13	AP8105103	Special screw M10x18*	1	
14	AP8120937	Rubber water cooler supp.	2	
15	AP8134328	Eng. connecting plate	2	
16	AP8120902	Silent-block lower attachment	2	
17	AP8152294	Screw w/ flange M8x70*	2	
18	AP8102544	Threaded rivet M6	7	

Assembly	FRAME
Code	28.02
Description	Saddel support - Rear foot rests
Revision	1



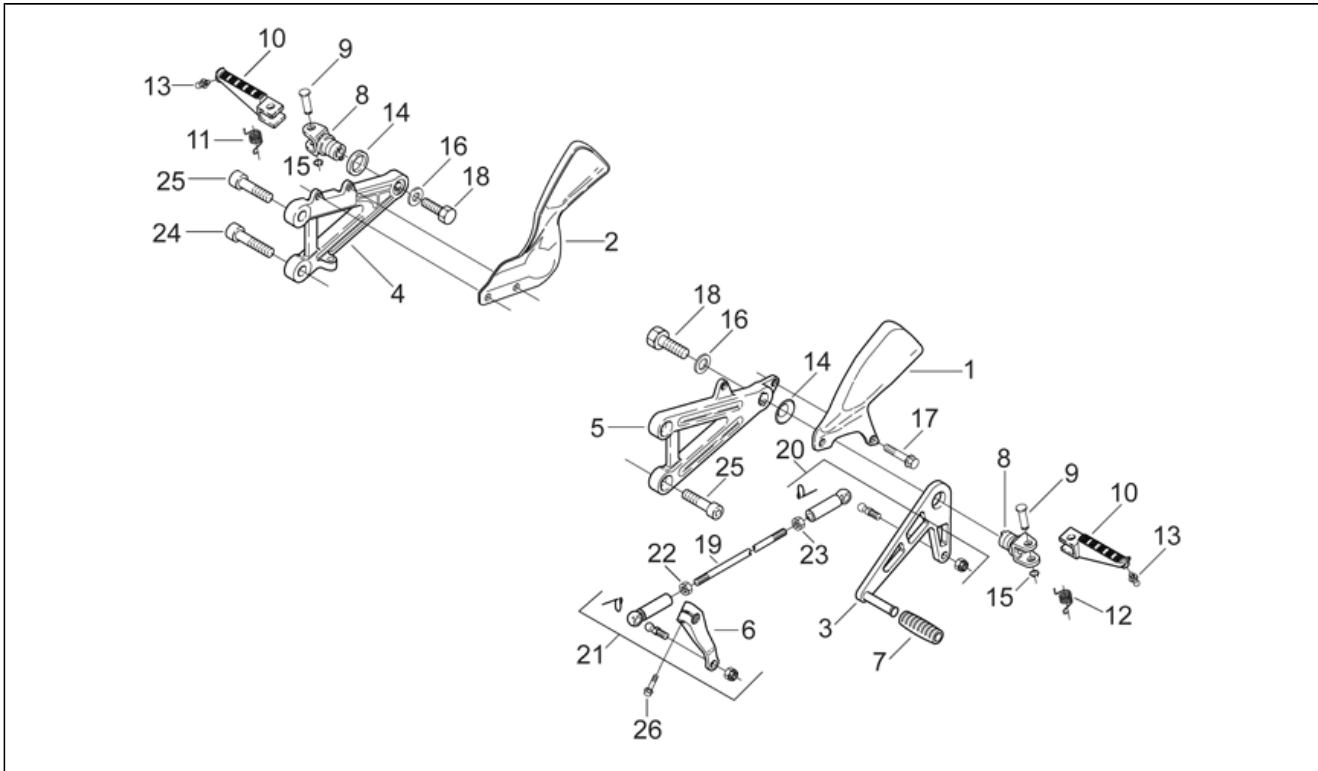
Pos.	Code	Description	Q.ty	Variants
1	AP8146018	Saddle support	1	
2	AP8146026	RH footrest support	1	
3	AP8146024	LH footrest support cat.	1	
4	AP8152279	Screw w/ flange M6x20	1	
5	AP8135861	Rear footrests, pair	1	
6	AP8152285	Screw w/ flange M8x16*	1	
7	AP8121918	Footrest pin	2	
8	AP8135617	Footrest support plate	2	
9	AP8110074	Roller D4x19,8	2	
10	AP8120895	Rear footrest rubber	2	
11	AP8120573	Stop ring	2	
12	AP8152301	Self-locking nut M10*	1	
13	AP8221206	Helmet holder hook	1	
14	AP8201877	Helmet lock cable	1	
15	AP8135735	Bush	4	
16	AP8152300	Self-locking nut M8*	3	
17	AP8121041	Spacer *	1	
18	AP8152281	Screw w/ flange M6X30	1	
19	AP8220238	Rubber spacer	4	
20	AP8152288	Screw w/ flange M8x30*	2	
21	AP8150431	Low nut	2	
22	AP8152291	Screw w/ flange M8x45*	2	
23	AP8120311	Rubber spacer *	2	
24	AP8121291	Helicoil insert	1	
25	AP8150277	Hex socket screw M8x50*	2	
26	AP8150107	Hex socket screw M8x30*	1	
27	AP8150164	Hex socket screw M8x45*	1	
28	AP8152280	Screw w/ flange M6X25	1	

Assembly	FRAME
Code	28.02
Description	Saddel support - Rear foot rests
Revision	1



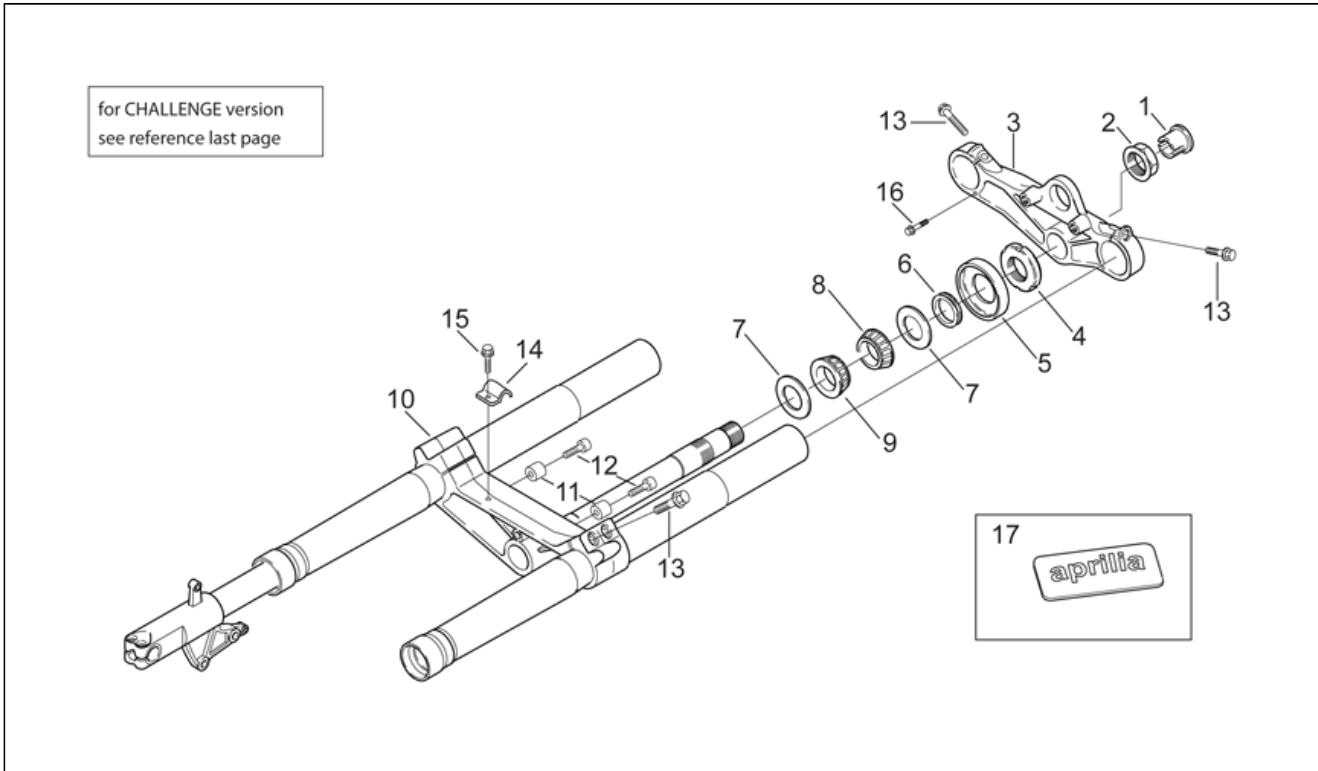
Pos.	Code	Description	Q.ty	Variants
29	AP8102179	Threaded rivet M8	1	
30	AP8152272	Screw w/ flange M5x12	2	
31	AP8102544	Threaded rivet M6	6	

Assembly	FRAME
Code	28.03
Description	Front footrests
Revision	1



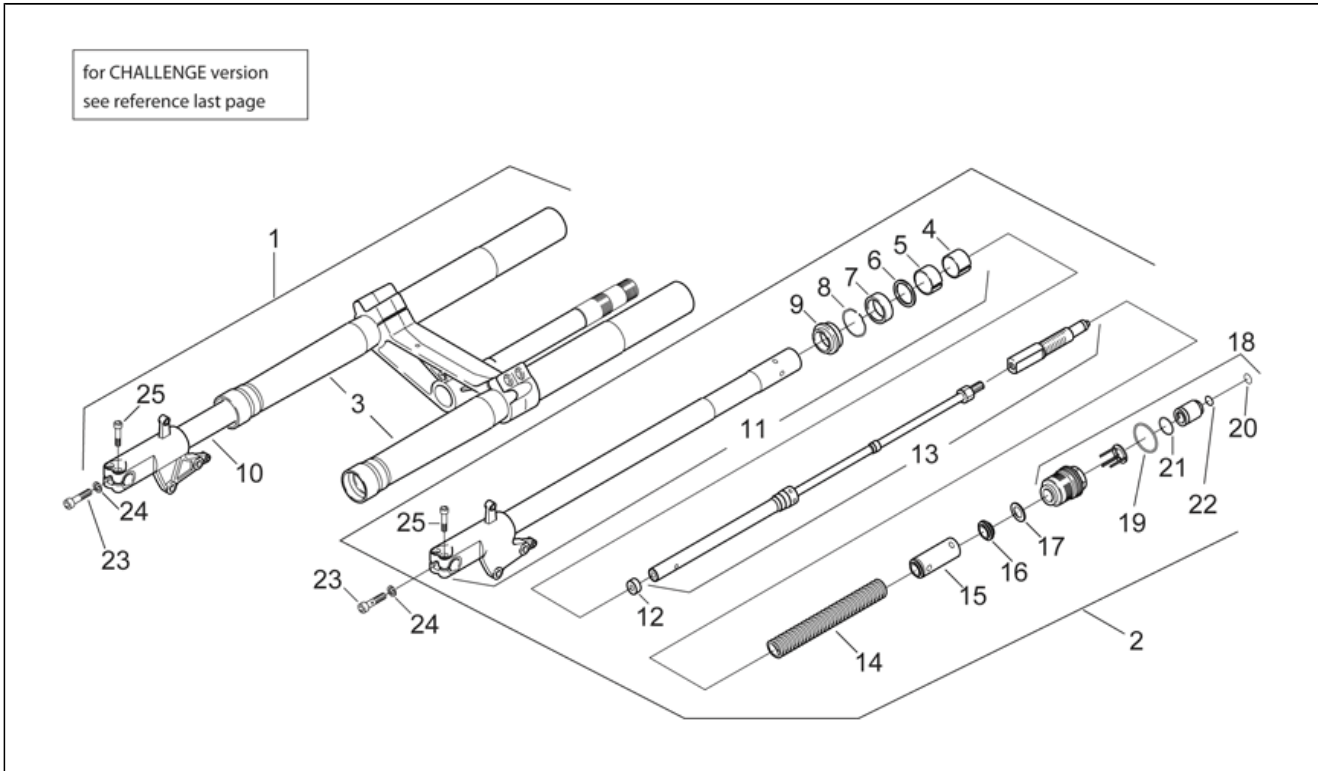
Pos.	Code	Description	Q.ty	Variants
1	AP8135628	LH front footrest guard	1	
2	AP8135517	RH front footrest guard	1	
3	AP8135514	Gear lever	1	
4	AP8135842	RH front footrest bracket	1	
5	AP8146030	LH front footrest bracket	1	
6	AP8135518	Gearbox connecting rod	1	
7	AP8120912	Lever rubber	1	
8	AP8121917	Brake/gear lever pin	2	
9	AP8121918	Footrest pin	2	
10	AP8135860	Front footrest, pair	1	
11	AP8121939	RH front footrest spring	1	
12	AP8121940	LH front footrest spring	1	
13	AP8121134	Pin	2	
14	AP8150446	Belleville spring	2	
15	AP8120573	Stop ring	2	
16	AP8150376	Washer 8,5x15x0,8	2	
17	AP8152272	Screw w/ flange M5x12	2	
18	AP8150447	Hex screw M8x30	2	
19	AP8121960	Gearbox linkage rod	1	
20	AP8110053	Left ball joint M6	1	
21	AP8210007	RH ball joint M6	1	
22	AP8150026	Nut M6*	1	
23	AP8152138	Nut M6 sx *	1	
24	AP8150107	Hex socket screw M8x30*	1	
25	AP8150170	Hex socket screw M8x25*	3	
26	AP8152279	Screw w/ flange M6x20	1	

Assembly	FRAME
Code	28.04
Description	Front fork I
Revision	1



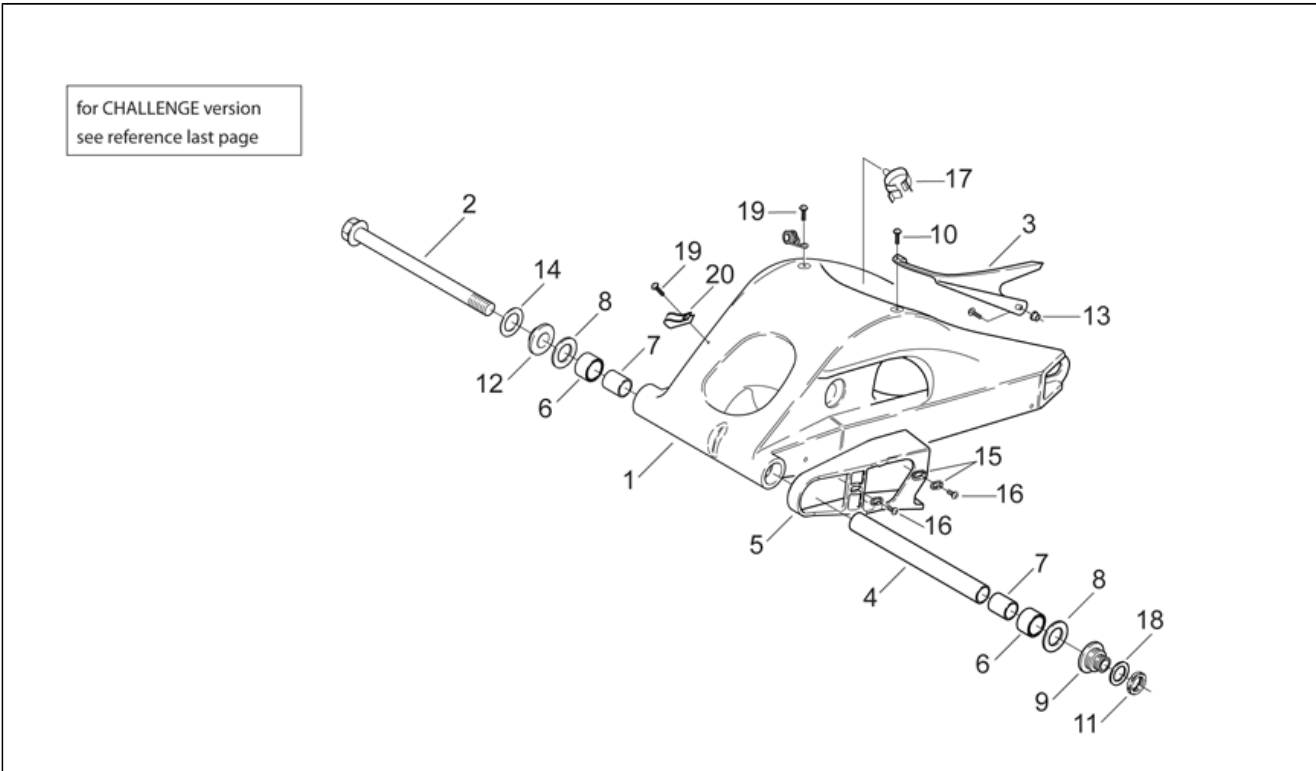
Pos.	Code	Description	Q.ty	Variants
1	AP8138403	Plug cover	1	
2	AP8123243	Plug	1	
3	AP8123727	Fork upper plate	1	
4	AP8123734	Ring nut	1	
5	AP8120542	Dust cover	1	
6	AP8101272	Spacer	1	
7	AP8101106	Gasket ring	2	
8	AP8110010	Tap.roller bearing	1	
9	AP8110024	Roller bearing	1	
10	AP8123726	Stem base	1	
11	AP8121302	Steering lock bush	2	
12	AP8150211	Hex socket screw M8x16*	2	
13	AP8152289	Screw w/ flange M8x35*	6	
14	AP8134438	Brake hose hanger	1	
15	AP8152272	Screw w/ flange M5x12	1	
16	AP8152281	Screw w/ flange M6X30	1	
17	AP8157770	"Aprilia" dataplate	1	

Assembly	FRAME
Code	28.05
Description	Front fork II
Revision	1



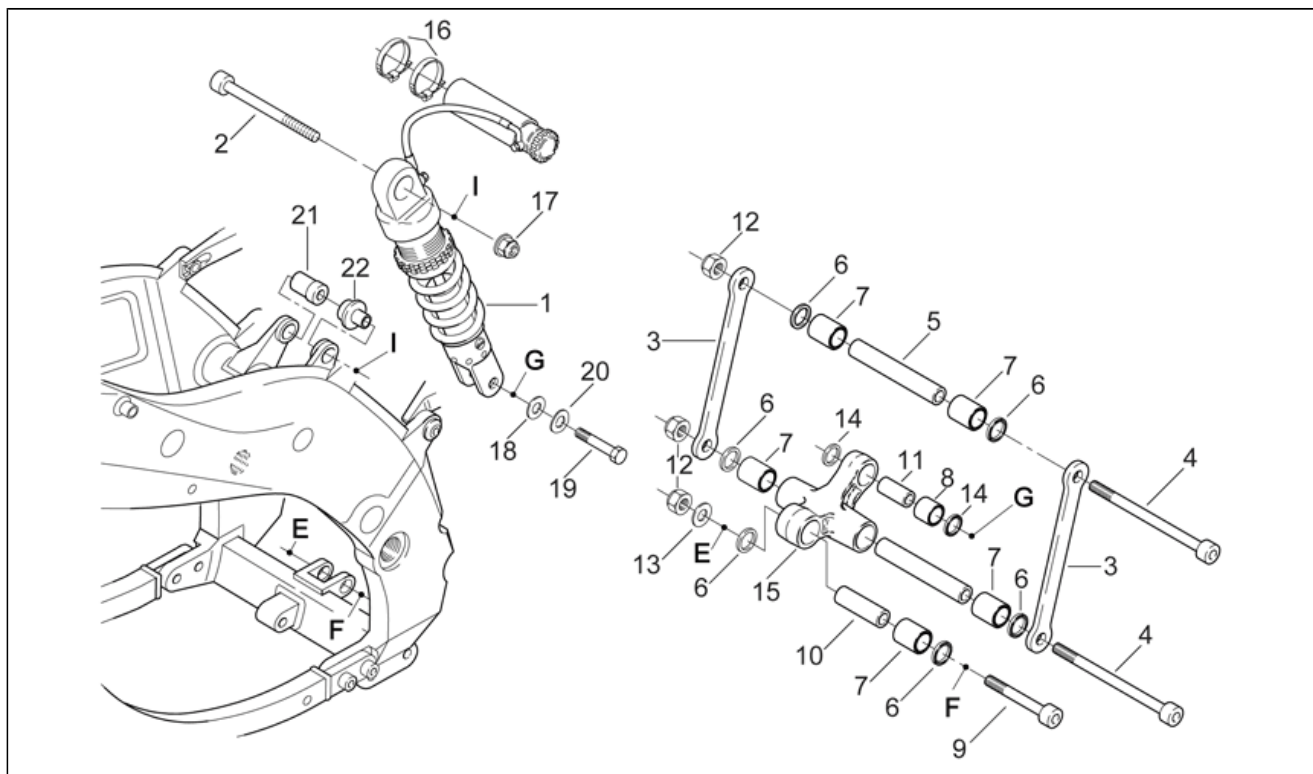
Pos.	Code	Description	Q.ty	Variants
1	AP8123724	RH hub	1	
2	AP8123725	LH hub	1	
3	AP8123808	Sleeve	2	
4	AP8123802	Bush	2	
5	AP8123803	Bush	2	
6	AP8123804	Ring	2	
7	AP8123805	Oil seal	2	
8	AP8123806	Circlip	2	
9	AP8123807	Dust cover	2	
10	AP8123800	Hub+RH fork leg	1	
11	AP8123801	Hub+LH fork leg	1	
12	AP8123810	Plunger attachment bush	2	
13	AP8123809	Plunger, complete	2	
14	AP8123813	Spring	2	
15	AP8123814	Preload tube cpl.	2	
16	AP8123815	Ring	2	
17	AP8123816	Washer	2	
18	AP8123817	Sleeve plug cpl.	2	
19	AP8123818	O-ring	2	
20	AP8123821	Stop ring	2	
21	AP8123819	O-ring	2	
22	AP8123820	O-ring	2	
23	AP8123812	Screw M10x1,5	2	
24	AP8123811	Special washer	2	
25	AP8150236	Hex socket screw M8x35	2	

Assembly	FRAME
Code	28.06
Description	Swing arm
Revision	1



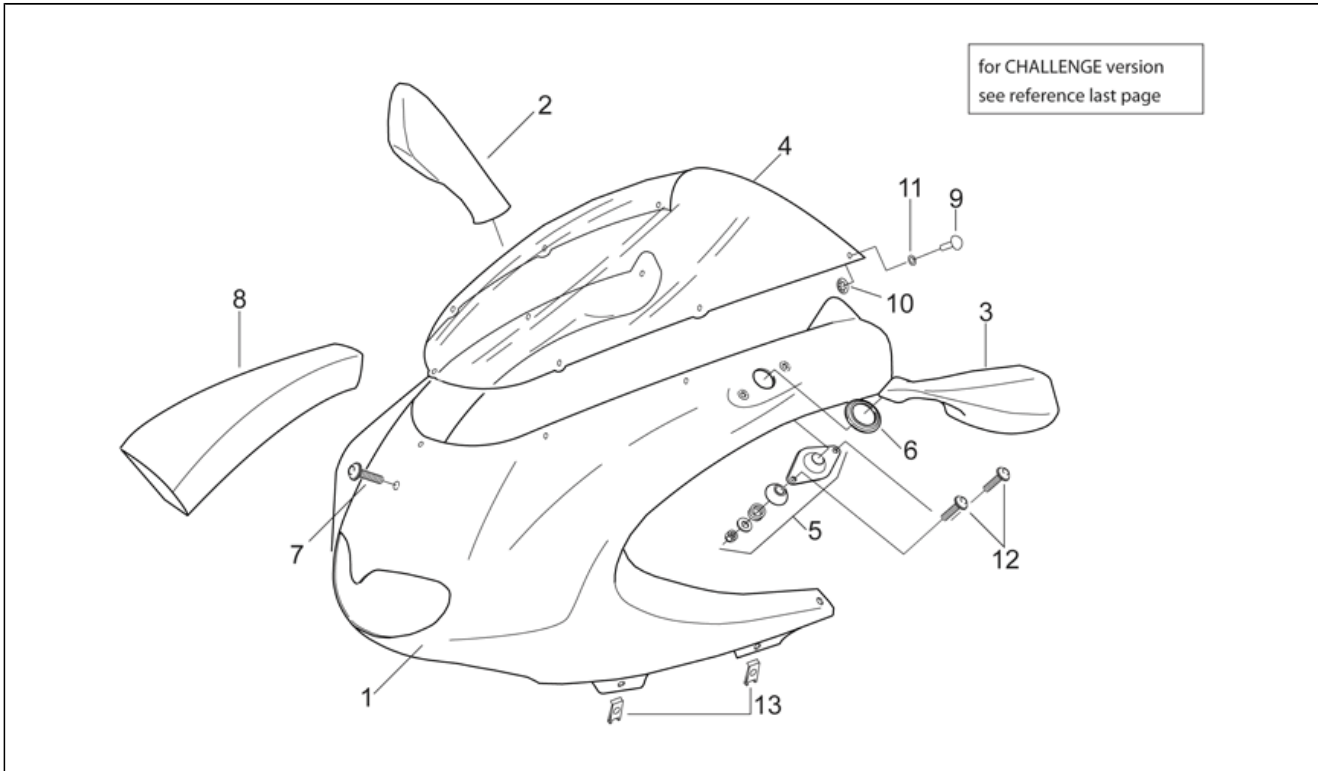
Pos.	Code	Description	Q.ty	Variants
1	AP8135803	Swing arm	1	
2	AP8125651	Rear swing arm pin	1	
3	AP8131925	Chain guard	1	
4	AP8121923	Rear swin.arm pin sp.	1	
5	AP8120846	Chain guide plate	1	
6	AP8110070	Needle bearing 25x32x24	2	
7	AP8121884	Rear sw.arm piv.bush	2	
8	AP8120872	Washer	2	
9	AP8121899	Adjustment bush	1	
10	AP8152298	Screw w/ flange M5x16	1	
11	AP8121898	Ring nut M20x1	1	
12	AP8121925	Clearance bush	1	
13	AP8120531	Rubber w/ insert *	1	
14	AP8102429	Curved spring washer	1	
15	AP8234020	Cup for shoe	2	
16	AP8152268	Hex socket screw M5x16*	2	
17	AP8134186	Cable-guide	1	
18	AP8152089	Washer 21x37x3	1	
19	AP8152298	Screw w/ flange M5x16	2	
20	AP8102151	Black hose D12*	1	

Assembly	FRAME
Code	28.07
Description	Rear shock absorber
Revision	1



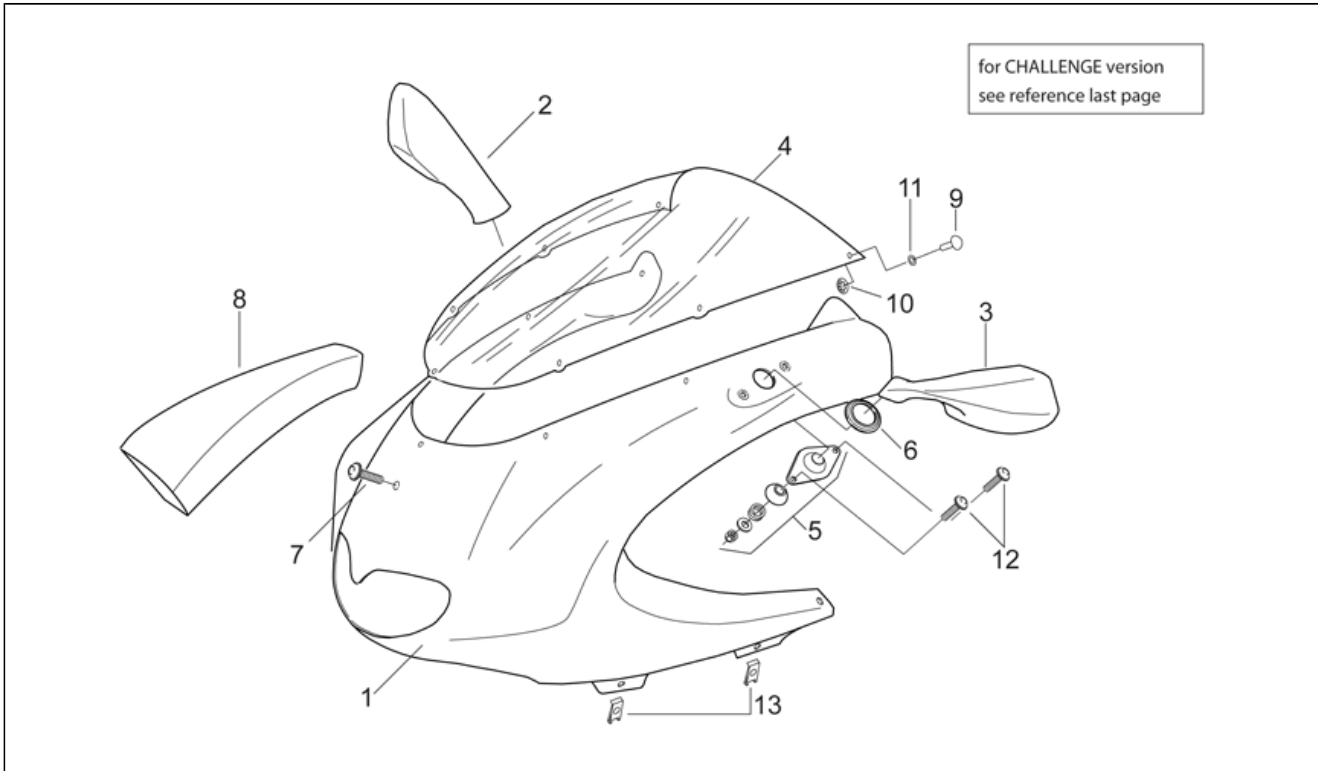
Pos.	Code	Description	Q.ty	Variants
1	AP8123712	Shock absorber	1	
2	AP8152013	Hex socket screw M10x105	1	
3	AP8135509	Single conrod	2	
4	AP8150442	Hex socket screw M12x115	1	
5	AP8121919	Connect.rod pin	2	
6	AP8120340	Gasket ring	6	
7	AP8110075	Roller bearing	5	
8	AP8110066	Needle bearing	1	
9	AP8150448	Hex socket screw M12x80	1	
10	AP8121885	Double connecting rod pin	1	
11	AP8135608	Double connecting rod pin L25	1	
12	AP8150432	Low self-locking nut M12*	3	
13	AP8150101	Washer 13x24x2,5*	1	
14	AP8120838	Gasket ring	2	
15	AP8135508	Double conrod comp.	1	
16	AP8220104	Hose clamp D25-45x8*	2	
17	AP8152301	Self-locking nut M10*	1	
18	AP8150020	Washer 10,5x21x2*	1	
19	AP8150227	Screw M10x45*	1	
20	AP8150210	Curved spring washer *	1	
21	AP8121961	RH up.shock absorb. bush	1	
22	AP8121962	LH up.shock absorb. bush	1	

Assembly	FRAME
Code	28.08
Description	Front body I
Revision	1



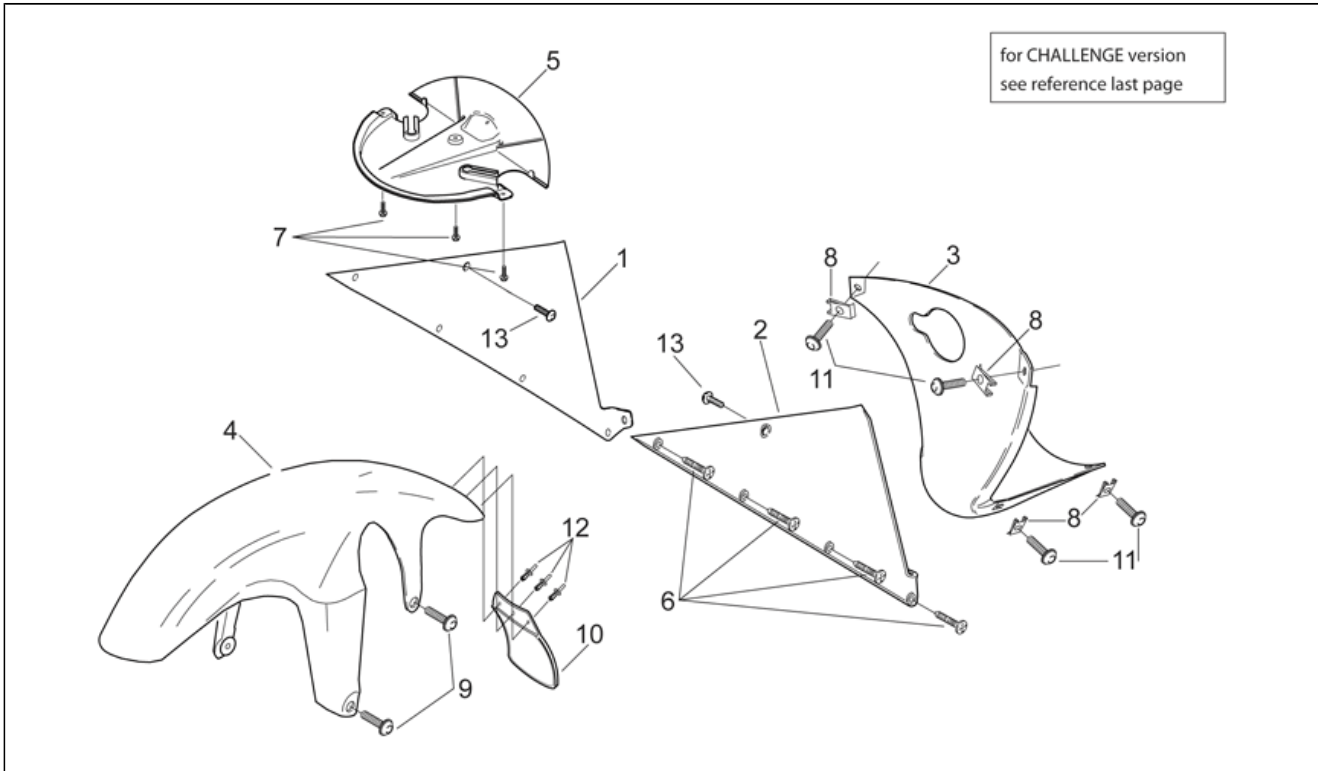
Pos.	Code	Description	Q.ty	Variants
1	AP8138900	Front fairing, c.blue	1	year: 1998[W] Color: Trial Red / Cosmos Blue '98[r/b]
1	AP8139381	Front fairing, black	1	year: 1998[W] Color: Aprilia Black '98[black]
1	AP8139779	Front fairing, black	1	year: 1999[X] Color: Aprilia Black '99[a.bl]
1	AP8139966	Front fairing, fumi blue	1	year: 1999[X] Color: Fumi Blue / Fluo Red '99[b/r]
1	AP8148999	Front fairing, black	1	year: 2000[Y] Color: Aprilia Black 2000[y.bl]
1	AP8149015	Front fairing, n.grey	1	year: 2000[Y] Color: Nik Grey 2000[grey]
1	AP8149890	Front fairing, black/gris	1	year: 2001[1] Color: Diablo Black 2001[d.bl]
1	AP8168787	Front fairing, black	1	year: 2003[3] Color: GP1 2003[gp1]
2	AP8102632	RH rearview mirror	1	
3	AP8102633	LH rearview mirror	1	
4	AP8138916	Windshield	1	year: 2001[1] Color: Diablo Black 2001[d.bl]
4	AP8138916	Windshield	1	year: 1998[W] Color: Aprilia Black '98[black], Trial Red / Cosmos Blue '98[r/b]
4	AP8138916	Windshield	1	year: 2003[3] Color: GP1 2003[gp1]
4	AP8139724	Windshield	1	year: 1999[X] Color: Aprilia Black '99[a.bl], Fumi Blue / Fluo Red '99[b/r]
4	AP8148663	Windshield	1	year: 2000[Y] Color: Nik Grey 2000[grey], Aprilia Black 2000[y.bl]
5	AP8102801	Mirror insertion kit	2	
6	AP8102341	Mirror joint cup	2	
7	AP8152298	Screw w/ flange M5x16	1	

Assembly	FRAME
Code	28.08
Description	Front body I
Revision	1



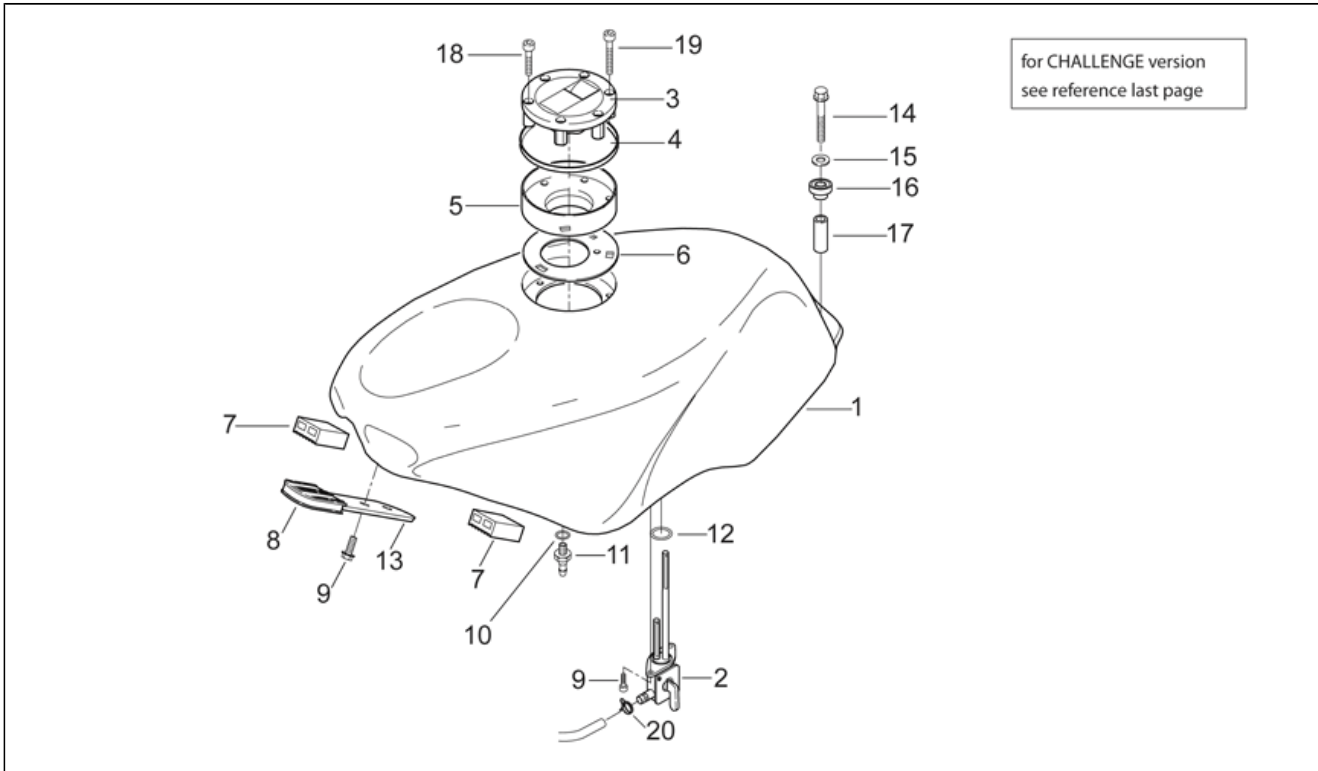
Pos.	Code	Description	Q.ty	Variants
8	AP8138942	Air intake	1	
9	AP8121303	Rivet, anodized nat. 5x10	7	
10	AP8150450	Washer for shafts D5	7	
11	AP8120965	O-ring 2018	7	
12	AP8152246	Screw w/ flange M6x16*	4	
13	AP8102375	Clip M5	4	

Assembly	FRAME
Code	28.09
Description	Front body II
Revision	1



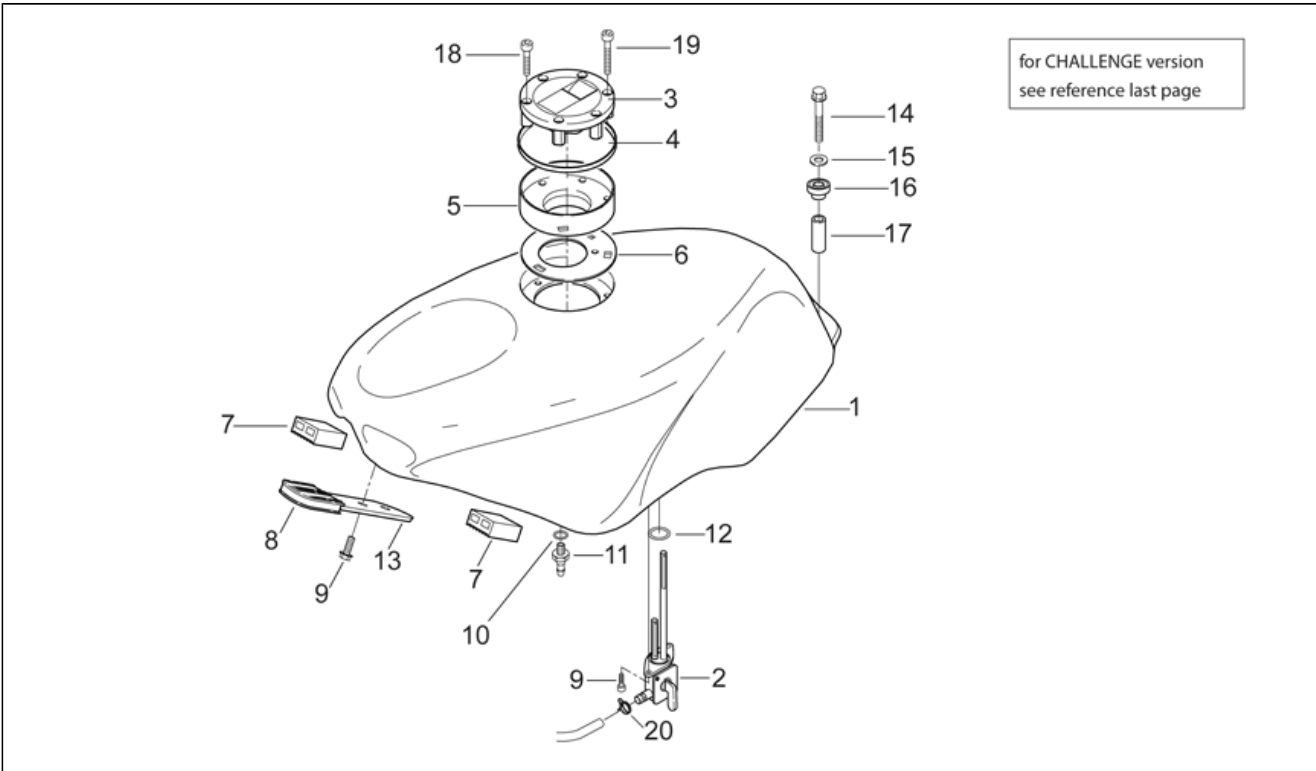
Pos.	Code	Description	Q.ty	Variants
1	AP8138898	RH internal fairing	1	
2	AP8138899	LH internal fairing	1	
3	AP8131932	Pillar	1	
4	AP8126640	Front mudguard, t.red	1	year: 1998[W] Color: Trial Red / Cosmos Blue '98[r/b]
4	AP8126655	Front mudguard, black	1	year: 1998[W] Color: Aprilia Black '98[black]
4	AP8126731	Front mudguard, black	1	year: 1999[X] Color: Aprilia Black '99[a.bl]
4	AP8126751	Front mudguard, fumi blue	1	year: 1999[X] Color: Fumi Blue / Fluo Red '99[b/r]
4	AP8126846	Front mudguard, fluo red	1	year: 2001[1] Color: Diablo Black 2001[d.bl]
4	AP8126846	Front mudguard, fluo red	1	year: 2000[Y] Color: Aprilia Black 2000[y.bl]
4	AP8126849	Front mudguard, lemon yellow	1	year: 2000[Y] Color: Nik Grey 2000[grey]
4	AP8156068	Front mudguard, black	1	year: 2003[3] Color: GP1 2003[gp1]
5	AP8138941	Duct	1	
6	AP8150413	Self-tap screw 3,9x14	8	
7	AP8152277	Screw w/ flange M6x12*	3	
8	AP8102375	Clip M5	6	
9	AP8152298	Screw w/ flange M5x16	4	
10	AP8126631	Front mudg. Extension	1	
11	AP8152302	Screw w/ flange M5x12	6	
12	AP8202058	Plastic rivet, black	3	
13	AP8152339	Screw w/ flange M5x9	2	

Assembly	FRAME
Code	28.10
Description	Fuel tank
Revision	1



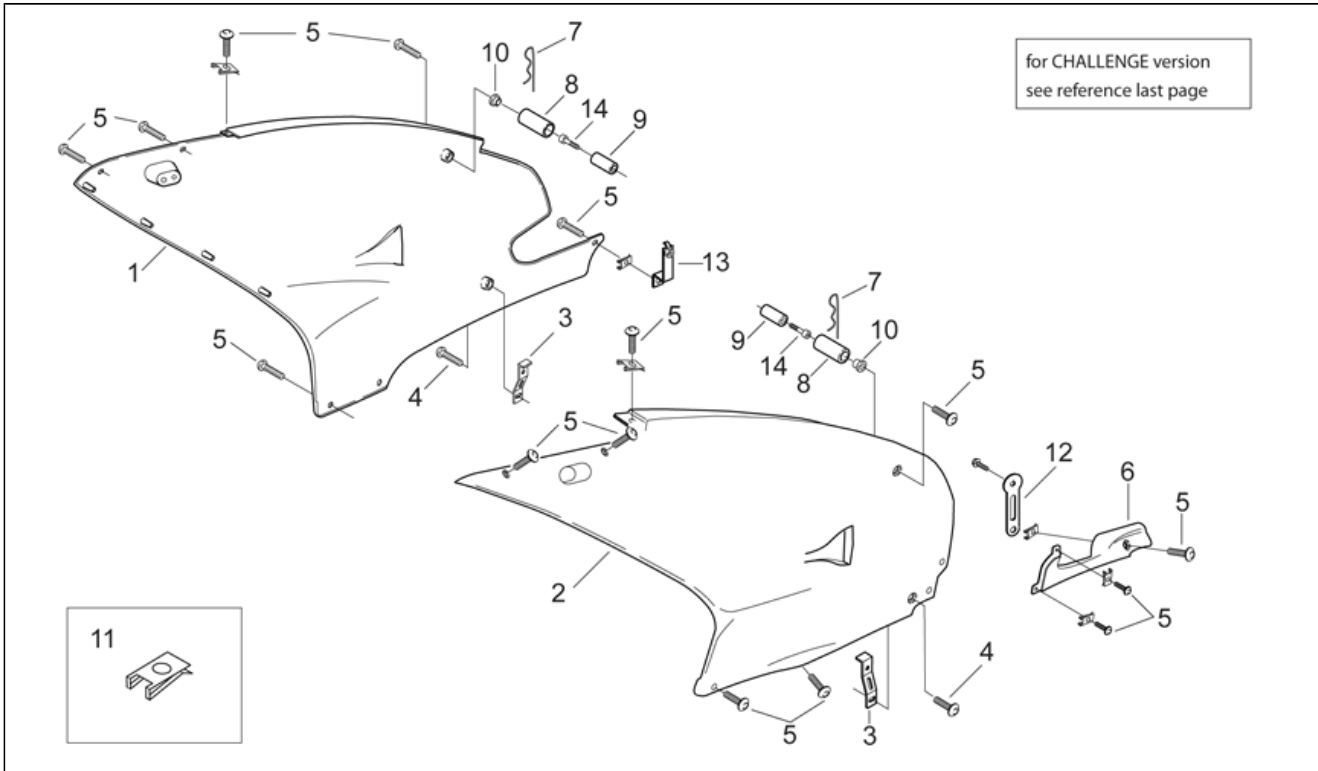
Pos.	Code	Description	Q.ty	Variants
1	AP8138894	Fuel tank, blue	1	year: 1998[W] Color: Trial Red / Cosmos Blue '98[r/b]
1	AP8139380	Fuel tank, Ap. black	1	year: 1998[W] Color: Aprilia Black '98[black]
1	AP8139380	Fuel tank, Ap. black	1	year: 1999[X] Color: Aprilia Black '99[a.bl]
1	AP8139965	Fuel tank, fumi blue	1	year: 1999[X] Color: Fumi Blue / Fluo Red '99[b/r]
1	AP8148998	Fuel tank, Ap. black	1	year: 2000[Y] Color: Aprilia Black 2000[y.bl]
1	AP8149014	Fuel tank, n.grey	1	year: 2000[Y] Color: Nik Grey 2000[grey]
1	AP8149889	Fuel tank, sil. Grey	1	year: 2001[1] Color: Diablo Black 2001[d.bl]
1	AP8168786	Fuel tank, silver	1	year: 2003[3] Color: GP1 2003[gp1]
2	AP8102360	Fuel cock	1	
3	AP8102435	Fuel filler cap	1	year: 1998[W], 1999[X], 2000[Y]
3	AP8104386	Fuel filler cap	1	year: 2001[1], 2003[3]
4	AP8120893	Cap seal	1	
5	AP8102526	Float chamber	1	Country: Australia[AUS], Belgium[B], Brasil[BR], Denmark[DK], Spain[E], France[F], Greece[GR], Italy[I], Japan[J], Malaysia[MAL], Holland[NL], Portugal[P], Great Britain[UK], United States of America[USA]
5	AP8102535	Float chamber	1	Country: Germany[D]
6	AP8120894	Fuel tank gasket	1	
7	AP8120914	Lateral tank rubber	2	
8	AP8120913	Tank rubber	1	
9	AP8152040	Hex socket screw M6x12*	2	
10	AP8102504	Rubber spacer	1	
11	AP8102503	Hose holder union	1	

Assembly	FRAME
Code	28.10
Description	Fuel tank
Revision	1



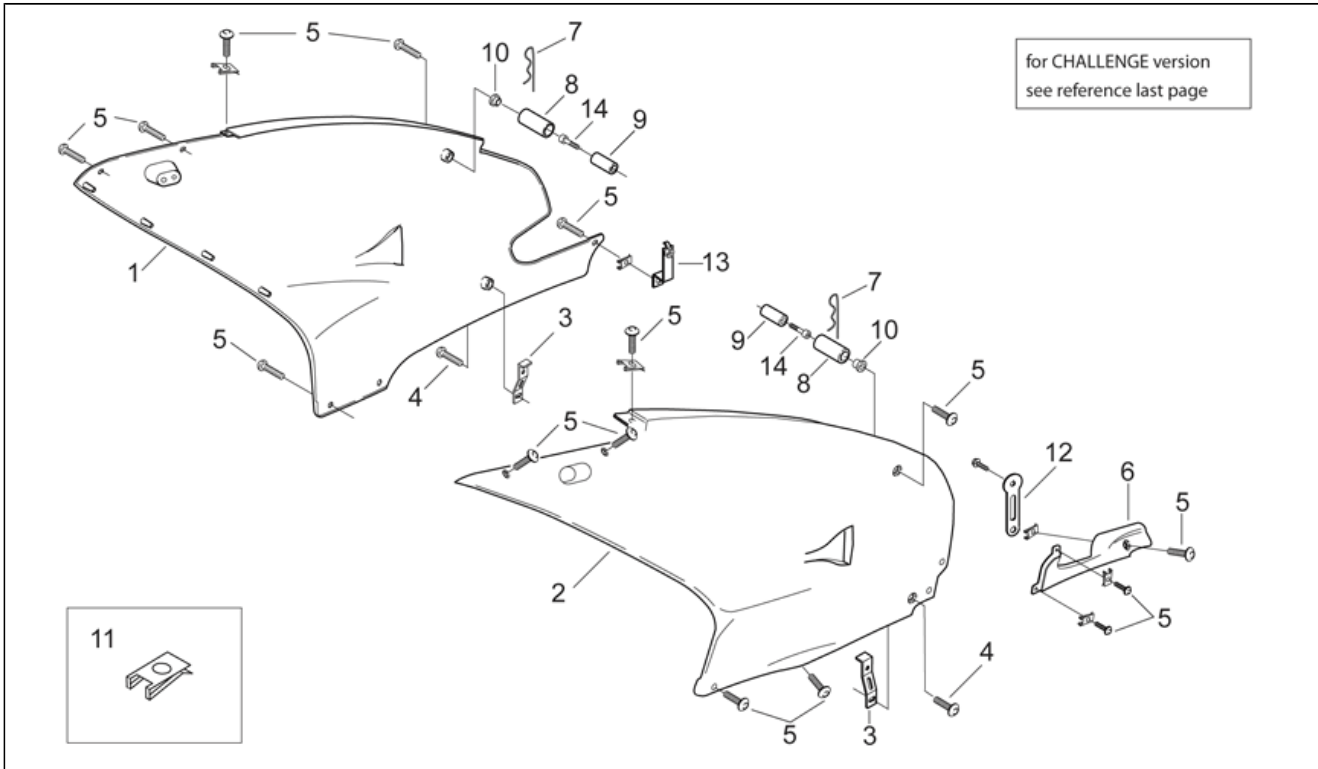
Pos.	Code	Description	Q.ty	Variants
12	AP8120869	O-ring 4093	1	
13	AP8134322	Tank front bracket	1	
14	AP8152284	Screw w/ flange M6x45*	1	
15	AP8150015	Washer 6,6x18x1,6*	1	
16	AP8220192	Rubber spacer *	1	
17	AP8121764	Spacer *	1	
18	AP8150050	Hex socket screw M5x16*	4	
19	AP8150176	Hex socket screw M5x30*	3	
20	AP8102525	Hose cock	1	

Assembly	FRAME
Code	28.11
Description	Central body
Revision	1



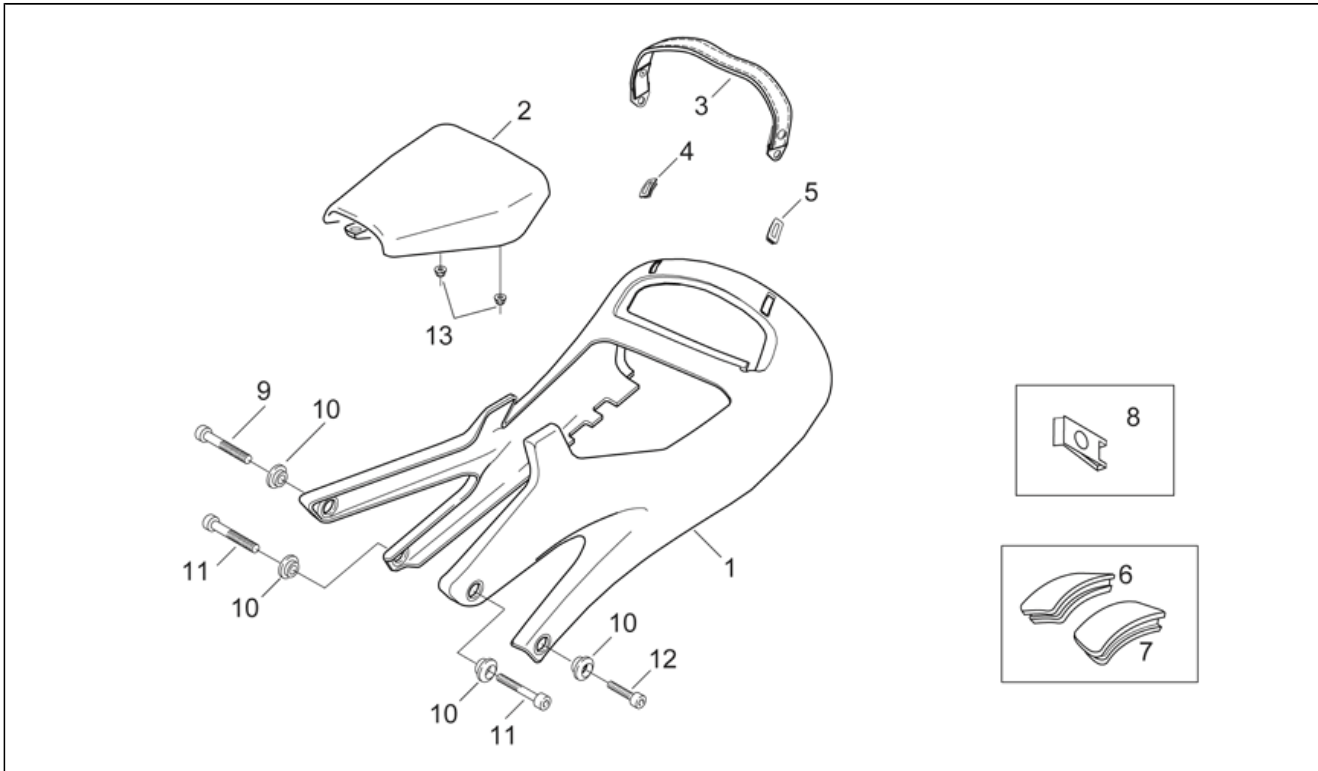
Pos.	Code	Description	Q.ty	Variants
1	AP8138902	RH side panel, t. red	1	year: 1998[W] Color: Trial Red / Cosmos Blue '98[r/b]
1	AP8139382	RH side panel, black	1	year: 1998[W] Color: Aprilia Black '98[black]
1	AP8139780	RH side panel, r./b.	1	year: 1999[X] Color: Aprilia Black '99[a.bl]
1	AP8139967	RH side panel, r./g.	1	year: 1999[X] Color: Fumi Blue / Fluo Red '99[b/r]
1	AP8149001	RH side panel, r./b.	1	year: 2000[Y] Color: Aprilia Black 2000[y.bl]
1	AP8149016	RH side panel, yell./grey	1	year: 2000[Y] Color: Nik Grey 2000[grey]
1	AP8149891	RH side panel, d.black	1	year: 2001[1] Color: Diablo Black 2001[d.bl]
1	AP8168788	RH side panel, black	1	year: 2003[3] Color: GP1 2003[gp1]
2	AP8138904	LH side panel, t. red	1	year: 1998[W] Color: Trial Red / Cosmos Blue '98[r/b]
2	AP8139383	LH side panel, black	1	year: 1998[W] Color: Aprilia Black '98[black]
2	AP8139781	LH side panel, r./b.	1	year: 1999[X] Color: Aprilia Black '99[a.bl]
2	AP8139968	LH side panel, r./g.	1	year: 1999[X] Color: Fumi Blue / Fluo Red '99[b/r]
2	AP8149002	LH side panel, r./b.	1	year: 2000[Y] Color: Aprilia Black 2000[y.bl]
2	AP8149017	LH side panel, yell./grey	1	year: 2000[Y] Color: Nik Grey 2000[grey]
2	AP8149892	LH side panel, black d.	1	year: 2001[1] Color: Diablo Black 2001[d.bl]
2	AP8168789	LH side panel, black	1	year: 2003[3] Color: GP1 2003[gp1]

Assembly	FRAME
Code	28.11
Description	Central body
Revision	1



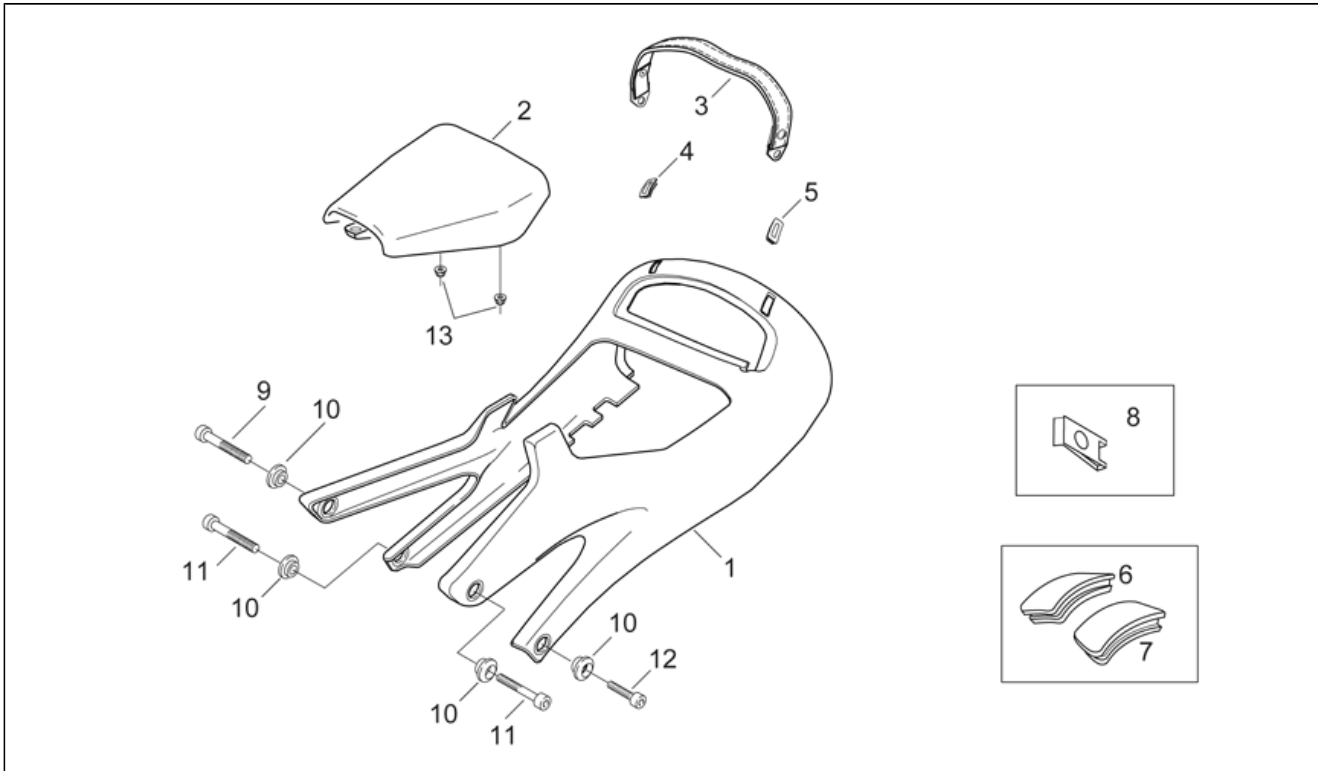
Pos.	Code	Description	Q.ty	Variants
3	AP8134332	Lower plate fairing	2	
4	AP8152278	Screw w/ flange M6x16*	2	
5	AP8152298	Screw w/ flange M5x16	14	
6	AP8139065	LH side panel extens., red	1	year: 1998[W] Color: Trial Red / Cosmos Blue '98[r/b]
6	AP8139384	LH side panel extens., black	1	year: 1998[W] Color: Aprilia Black '98[black]
6	AP8139782	LH side panel extens., red	1	year: 2000[Y] Color: Aprilia Black 2000[y.bl]
6	AP8139782	LH side panel extens., red	1	year: 1999[X] Color: Aprilia Black '99[a.bl]
6	AP8139782	LH side panel extens., red	1	year: 2001[1] Color: Diablo Black 2001[d.bl]
6	AP8139969	LH side panel extens., grey	1	year: 1999[X] Color: Fumi Blue / Fluo Red '99[b/r]
6	AP8149018	LH side panel extens., jaune	1	year: 2000[Y] Color: Nik Grey 2000[grey]
6	AP8168790	LH side panel extens., black	1	year: 2003[3] Color: GP1 2003[gp1]
7	AP8201287	Split pin	2	
8	AP8120699	Lat.frng fix.pipe	2	
9	AP8121867	Special bush *	2	
10	AP8120531	Rubber w/ insert *	2	
11	AP8102375	Clip M5	5	
12	AP8134463	Upper LH fair.supp. plate	1	
13	AP8134462	Upper RH fair.supp. plate	1	
14	AP8150165	Hex socket screw M6x25*	2	

Assembly	FRAME
Code	28.12
Description	Saddle unit
Revision	1



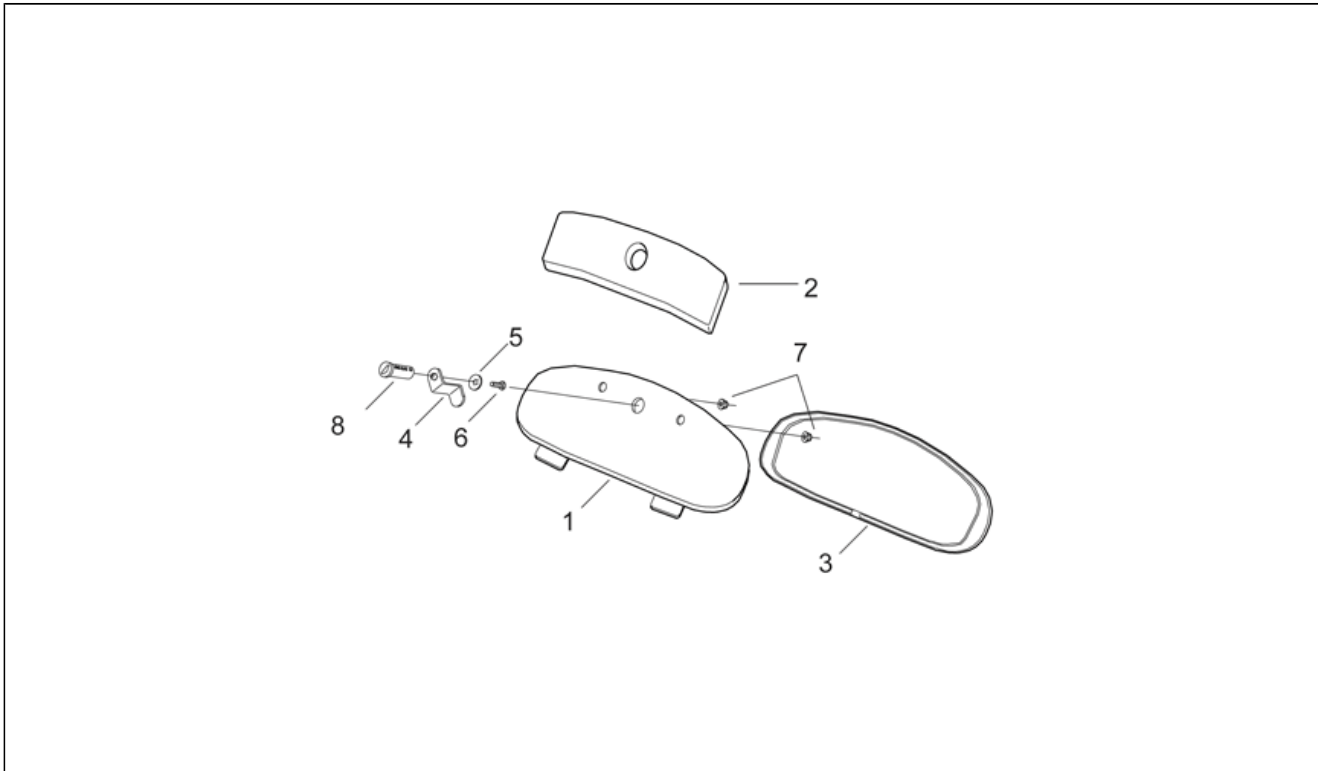
Pos.	Code	Description	Q.ty	Variants
1	AP8138915	Saddle sup cov.cpl., grey	1	year: 1998[W] Color:Aprilia Black '98[black], Trial Red / Cosmos Blue '98[r/b]
1	AP8139785	Saddle sup cov.cpl., grey	1	year: 1999[X] Color:Aprilia Black '99[a.bl]
1	AP8139972	Saddle sup cov.cpl., grey	1	year: 1999[X] Color:Fumi Blue / Fluo Red '99[b/r]
1	AP8149004	Saddle sup cov.cpl., sh.black	1	year: 2000[Y] Color:Aprilia Black 2000[y.bl]
1	AP8149161	Saddle sup cov.cpl., black	1	year: 2000[Y] Color:Nik Grey 2000[grey]
1	AP8149895	Saddle sup cov.cpl., grey d.	1	year: 2001[1] Color:Diablo Black 2001[d.bl]
1	AP8168793	Saddle sup cov.cpl., black	1	year: 2003[3] Color:GP1 2003[gp1]
2	AP8129188	Driver saddle	1	
3	AP8129203	Pillion seat strap	1	
4	AP8144139	RH seat strap plug	1	
5	AP8144140	LH seat strap plug	1	
6	AP8144144	RH grey saddle sup cov.plug	1	year: 1998[W] Color:Aprilia Black '98[black], Trial Red / Cosmos Blue '98[r/b]
6	AP8144194	RH grey saddle sup cov.plug	1	year: 1999[X] Color:Aprilia Black '99[a.bl]
6	AP8144233	RH grey saddle sup cov.plug	1	year: 1999[X] Color:Fumi Blue / Fluo Red '99[b/r]
6	AP8149006	RH black saddle sup cov.plug	1	year: 2000[Y] Color:Aprilia Black 2000[y.bl]
6	AP8149162	RH black saddle sup cov.plug	1	year: 2000[Y] Color:Nik Grey 2000[grey]
6	AP8149896	RH g.d. saddle sup cov.plug	1	year: 2001[1] Color:Diablo Black 2001[d.bl]

Assembly	FRAME
Code	28.12
Description	Saddle unit
Revision	1



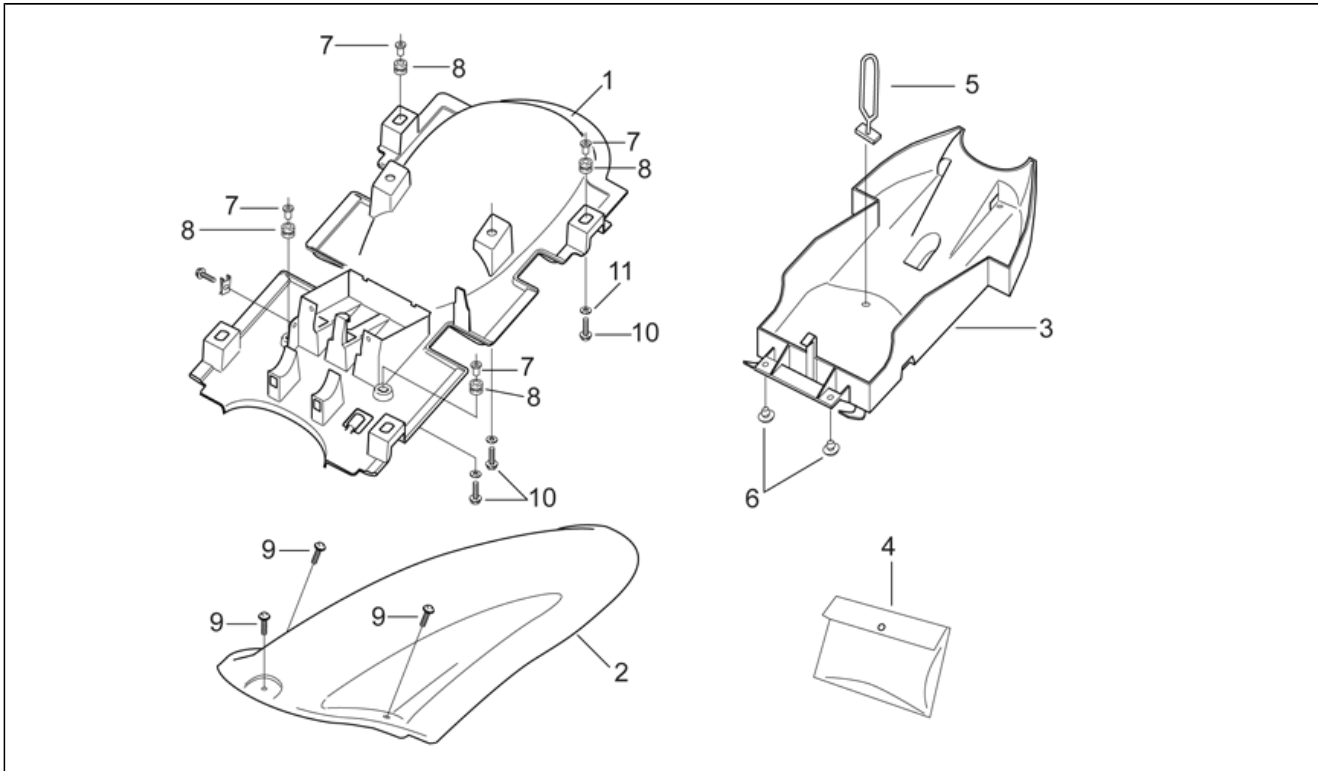
Pos.	Code	Description	Q.ty	Variants
6	AP8168794	RH black saddle sup.cov.plug	1	year: 2003[3] Color:GP1 2003[gp1]
7	AP8144145	LH grey saddle sup.cov.plug	1	year: 1998[W] Color:Aprilia Black '98[black], Trial Red / Cosmos Blue '98[r/b]
7	AP8144195	LH grey saddle sup.cov.plug	1	year: 1999[X] Color:Aprilia Black '99[a.bl]
7	AP8144234	LH grey saddle sup.cov.plug	1	year: 1999[X] Color:Fumi Blue / Fluo Red '99[b/r]
7	AP8149007	LH black saddle sup.cov.plug	1	year: 2000[Y] Color:Aprilia Black 2000[y.bl]
7	AP8149163	LH black saddle sup.cov.plug	1	year: 2000[Y] Color:Nik Grey 2000[grey]
7	AP8149897	LH g.d. saddle sup.cov.plug	1	year: 2001[1] Color:Diablo Black 2001[d.bl]
7	AP8168795	LH black saddle sup.cov.plug	1	year: 2003[3] Color:GP1 2003[gp1]
8	AP8102375	Clip M5	2	
9	AP8150164	Hex socket screw M8x45*	1	
10	AP8135735	Bush	4	
11	AP8150277	Hex socket screw M8x50*	2	
12	AP8150107	Hex socket screw M8x30*	1	
13	AP8220349	Rubber spacer	4	

Assembly	FRAME
Code	28.13
Description	Door
Revision	1



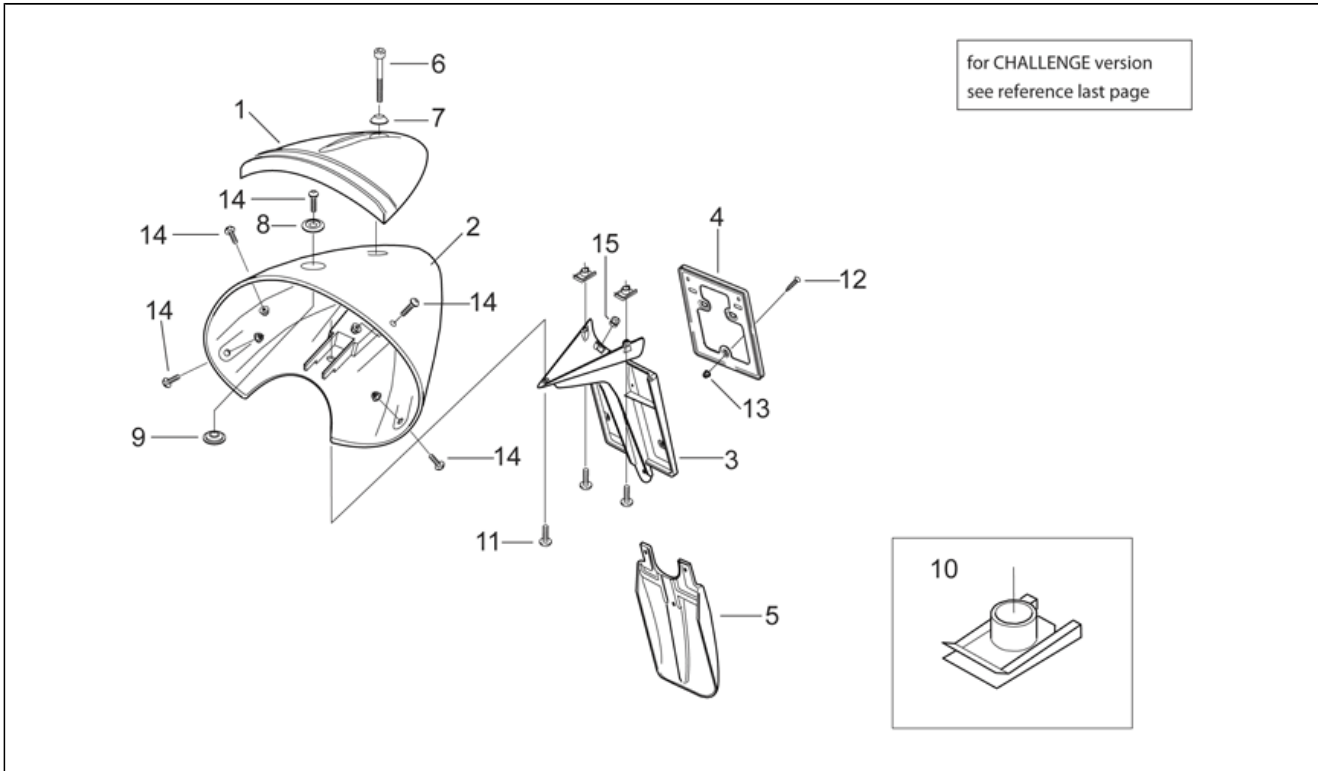
Pos.	Code	Description	Q.ty	Variants
1	AP8138909	Glove comp.door, grey	1	year: 1998[W] Color:Aprilia Black '98[black], Trial Red / Cosmos Blue '98[r/b]
1	AP8139783	Glove comp.door, grey	1	year: 1999[X] Color:Aprilia Black '99[a.bl]
1	AP8139970	Glove comp.door, grey	1	year: 1999[X] Color:Fumi Blue / Fluo Red '99[b/r]
1	AP8149008	Glove comp.door, black	1	year: 2000[Y] Color:Aprilia Black 2000[y.bl]
1	AP8149160	Glove comp.door, black	1	year: 2000[Y] Color:Nik Grey 2000[grey]
1	AP8149893	Glove comp.door g.d.	1	year: 2001[1] Color:Diablo Black 2001[d.bl]
1	AP8168791	Glove comp.door, black	1	year: 2003[3] Color:GP1 2003[gp1]
2	AP8129212	Seat cushion	1	
3	AP8144104	Glove comp.door gasket	1	
4	AP8102804	Lock fix.plate	1	
5	AP8201748	Washer	1	
6	AP8201749	Screw M4x6	1	
7	AP8152306	Self-locking nut M5*	2	
8	AP8201848	Tank door lock	1	

Assembly	FRAME
Code	28.14
Description	Rear body I
Revision	1



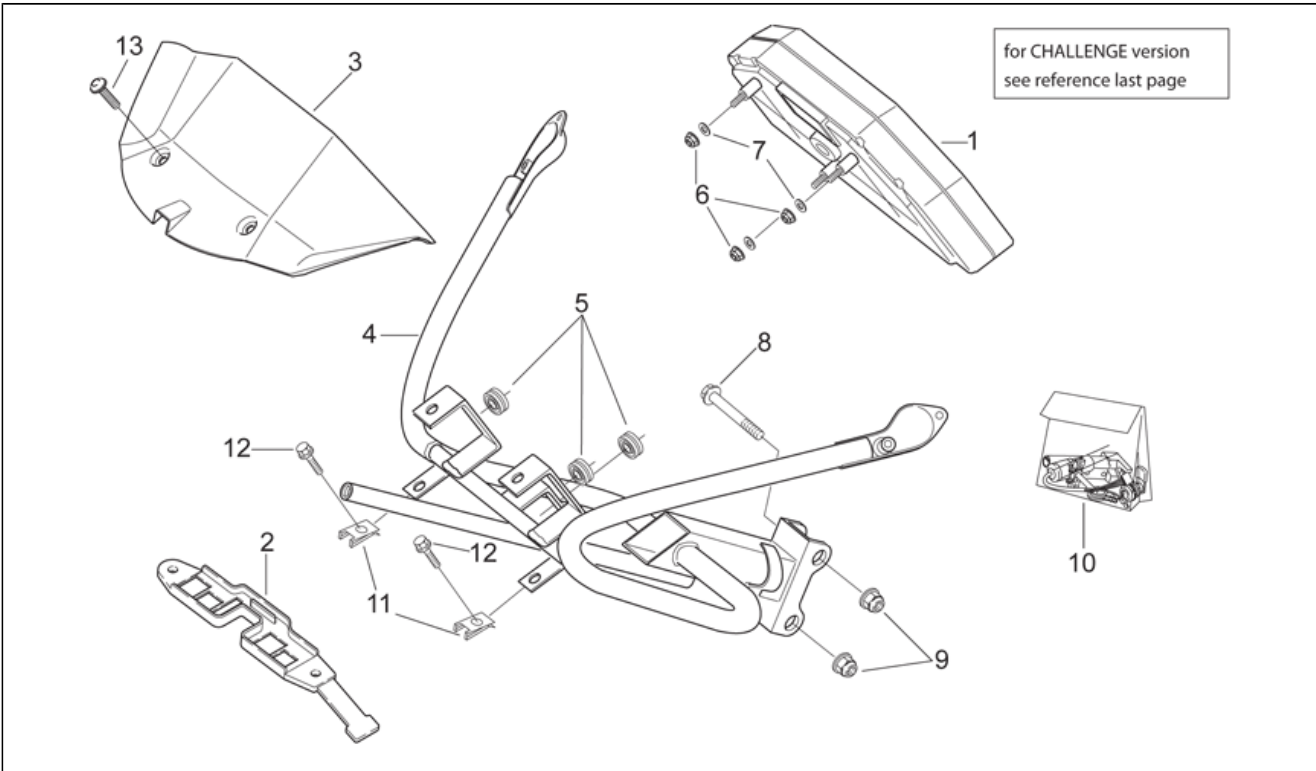
Pos.	Code	Description	Q.ty	Variants
1	AP8138893	Low.rear fairing lockup	1	
2	AP8126415	Low mudguard, black	1	year:2001[1], 1998[W], 1999[X], 2000[Y]
2	AP8156069	Low mudguard, black	1	year:2003[3]
3	AP8138917	Glove holder	1	
4	AP8102357	Toolkit	1	
5	AP8120177	Headlight supp.snap	1	
6	AP8120001	Rubber spacer	2	
7	AP8221023	T bush *	4	
8	AP8120030	Rubber spacer *	4	
9	AP8152298	Screw w/ flange M5x16	3	
10	AP8152280	Screw w/ flange M6X25	6	
11	AP8150015	Washer 6,6x18x1,6*	4	

Assembly	FRAME
Code	28.15
Description	Rear body II
Revision	1



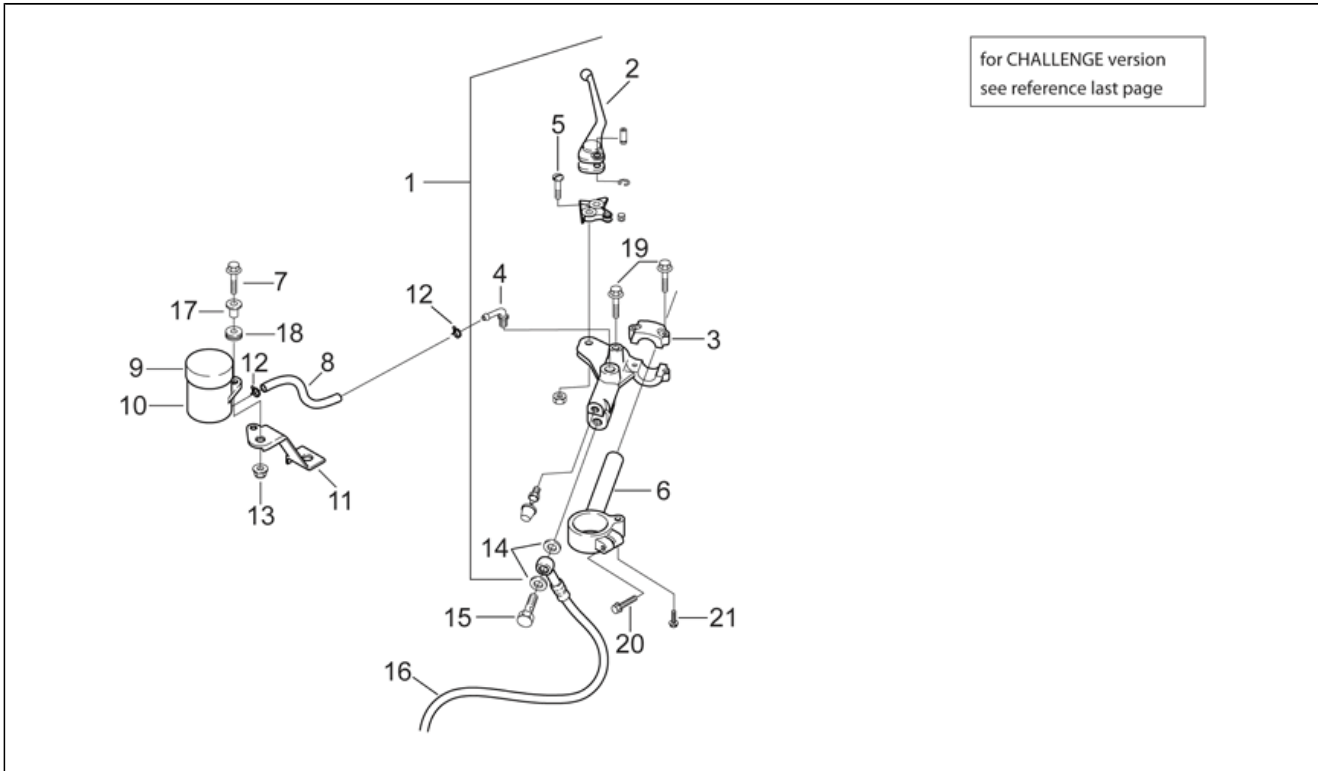
Pos.	Code	Description	Q.ty	Variants
1	AP8129189	Rear saddle, black	1	
2	AP8138907	Rear fairing, cherry red	1	year: 1998[W] Color: Trial Red / Cosmos Blue '98[r/b]
2	AP8139385	Rear fairing, black	1	year: 1998[W] Color: Aprilia Black '98[black]
2	AP8139784	Rear fairing, black	1	year: 1999[X] Color: Aprilia Black '99[a.bl]
2	AP8139971	Rear fairing, fluo red	1	year: 1999[X] Color: Fumi Blue / Fluo Red '99[b/r]
2	AP8149003	Rear fairing, red/black	1	year: 2000[Y] Color: Aprilia Black 2000[y.bl]
2	AP8149019	Rear fairing, l.yell.nik grey	1	year: 2000[Y] Color: Nik Grey 2000[grey]
2	AP8149894	Rear fairing, black d./grey s.	1	year: 2001[1] Color: Diablo Black 2001[d.bl]
2	AP8168792	Rear fairing, black	1	year: 2003[3] Color: GP1 2003[gp1]
3	AP8126583	Number plate holder	1	
4	AP8126115	Number plate holder	1	
5	AP8126641	Number-plate extension	1	Country: Germany[D], Denmark[DK], Holland[NL]
6	AP8150157	Hex socket screw M6x60	1	
7	AP8121819	Washer 6,5x12,5*	1	
8	AP8121295	Rear fairing plug bush	2	
9	AP8121296	Self-locking/threading nut	2	
10	AP8102375	Clip M5	2	
11	AP8152338	Screw w/ flange M5x20	3	
12	AP8152166	Screw M6x16	3	
13	AP8152299	Self-locking nut M6*	1	
14	AP8152302	Screw w/ flange M5x12	6	
15	AP8120223	Rubber spacer *	2	

Assembly	FRAME
Code	28.16
Description	Dashboard
Revision	1



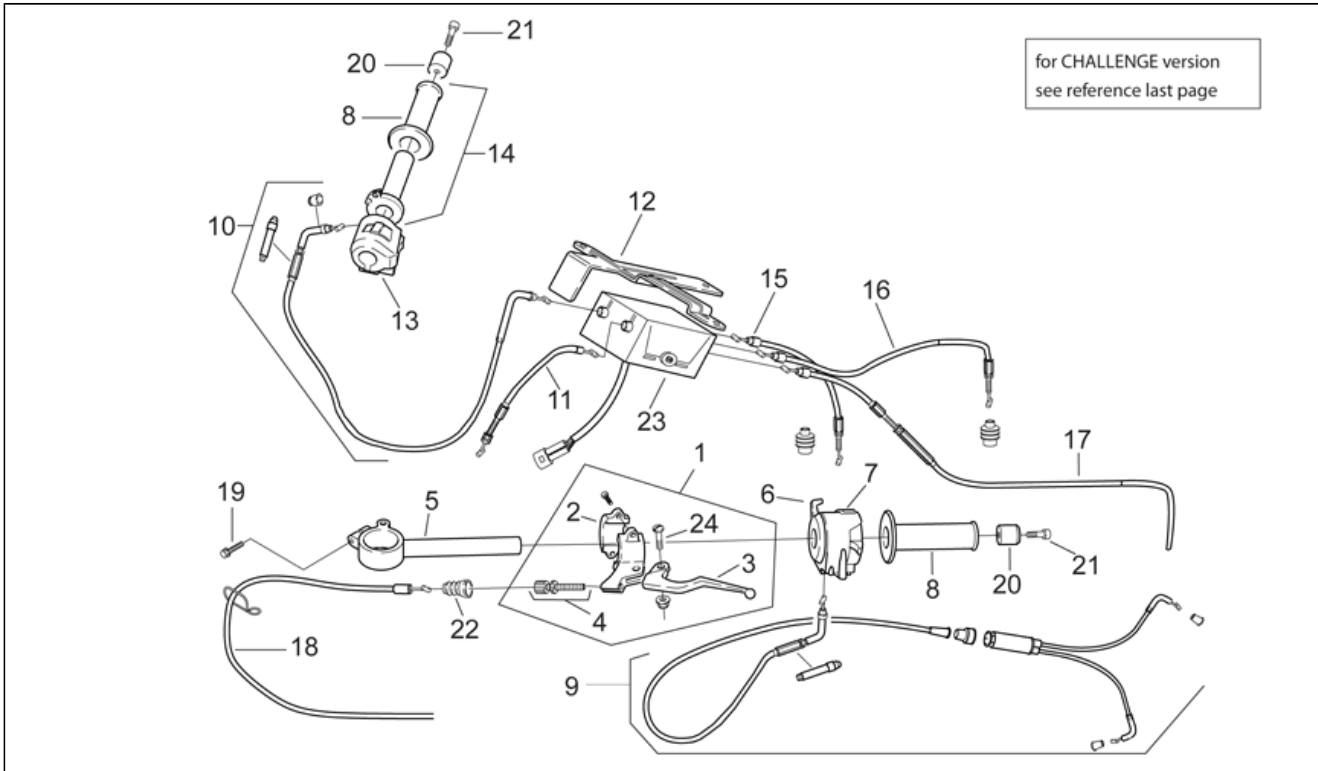
Pos.	Code	Description	Q.ty	Variants
1	AP8124463	Dashboard complete	1	
2	AP8138249	Connector support plate	1	
3	AP8139123	Dashboard lockup	1	
4	AP8146017	Fairing support bow	1	
5	AP8112599	Rubber spacer *	3	
6	AP8152299	Self-locking nut M6*	3	
7	AP8150015	Washer 6,6x18x1,6*	3	
8	AP8152284	Screw w/ flange M6x45*	2	
9	AP8152299	Self-locking nut M6*	2	
10	AP8102779	Lock hardware kit	1	year:1998[W], 1999[X], 2000[Y]
10	AP8104295	Lock hardware kit	1	year:2001[1], 2003[3]
11	AP8102375	Clip M5	2	
12	AP8152272	Screw w/ flange M5x12	2	
13	AP8152302	Screw w/ flange M5x12	2	

Assembly	FRAME
Code	28.17
Description	Controls I
Revision	1



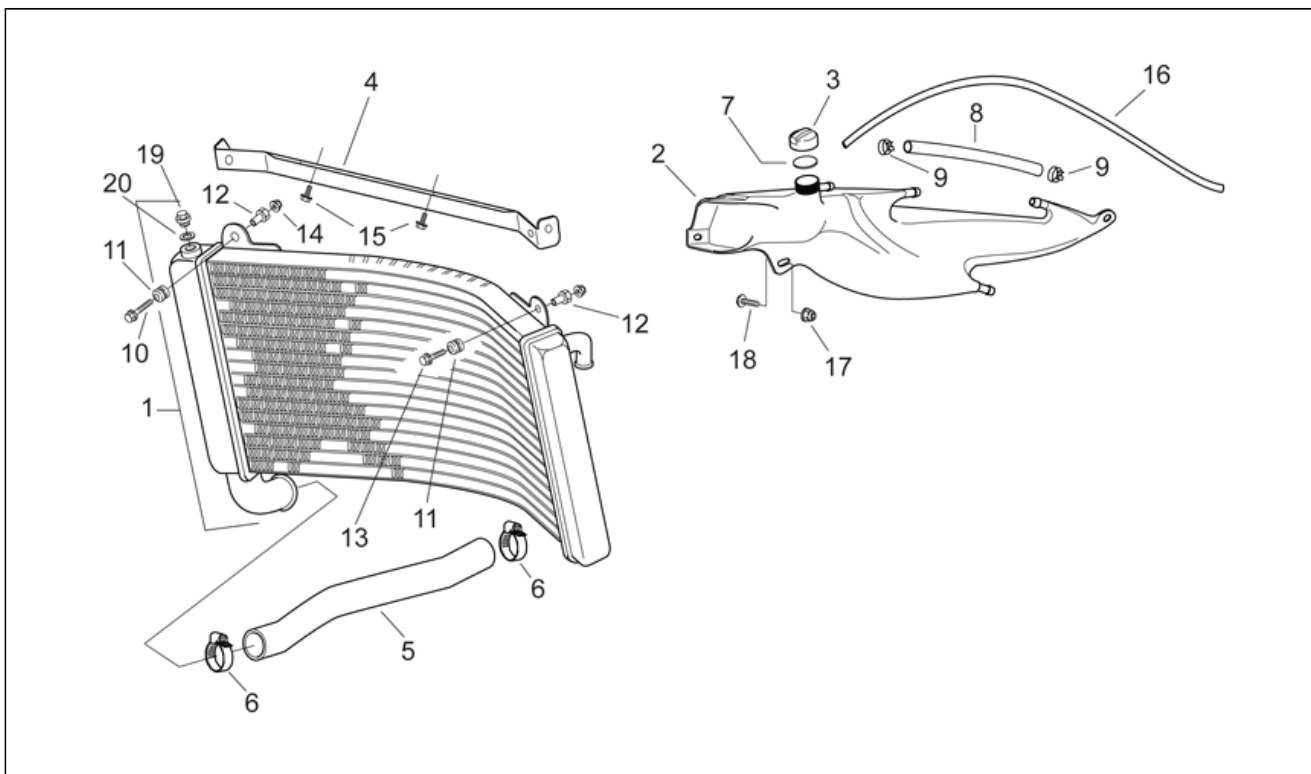
Pos.	Code	Description	Q.ty	Variants
1	AP8113605	Front master cilinder	1	
2	AP8113716	Front brake lever	1	
3	AP8113717	U-bolt	1	
4	AP8113718	Union	1	
5	AP8113719	Lever pin	1	
6	AP8118364	Right half handlebar	1	
7	AP8152279	Screw w/ flange M6x20	1	
8	AP8120976	Pipe D5x9	1	
9	AP8113598	Pil brake tank plug	1	
10	AP8113499	Brake oil tank	1	
11	AP8134283	Oil tank support	1	
12	AP8120416	Black hose 178x4*	2	
13	AP8152299	Self-locking nut M6*	1	
14	AP8113004	Washer 10x14x1,6*	2	
15	AP8113003	Oil pipe screw *	1	
16	AP8113664	Front brake hose	1	
17	AP8221023	T bush *	1	
18	AP8120030	Rubber spacer *	1	
19	AP8152277	Screw w/ flange M6x12*	1	
20	AP8152288	Screw w/ flange M8x30*	1	
21	AP8152281	Screw w/ flange M6X30	1	

Assembly	FRAME
Code	28.18
Description	Controls II
Revision	1



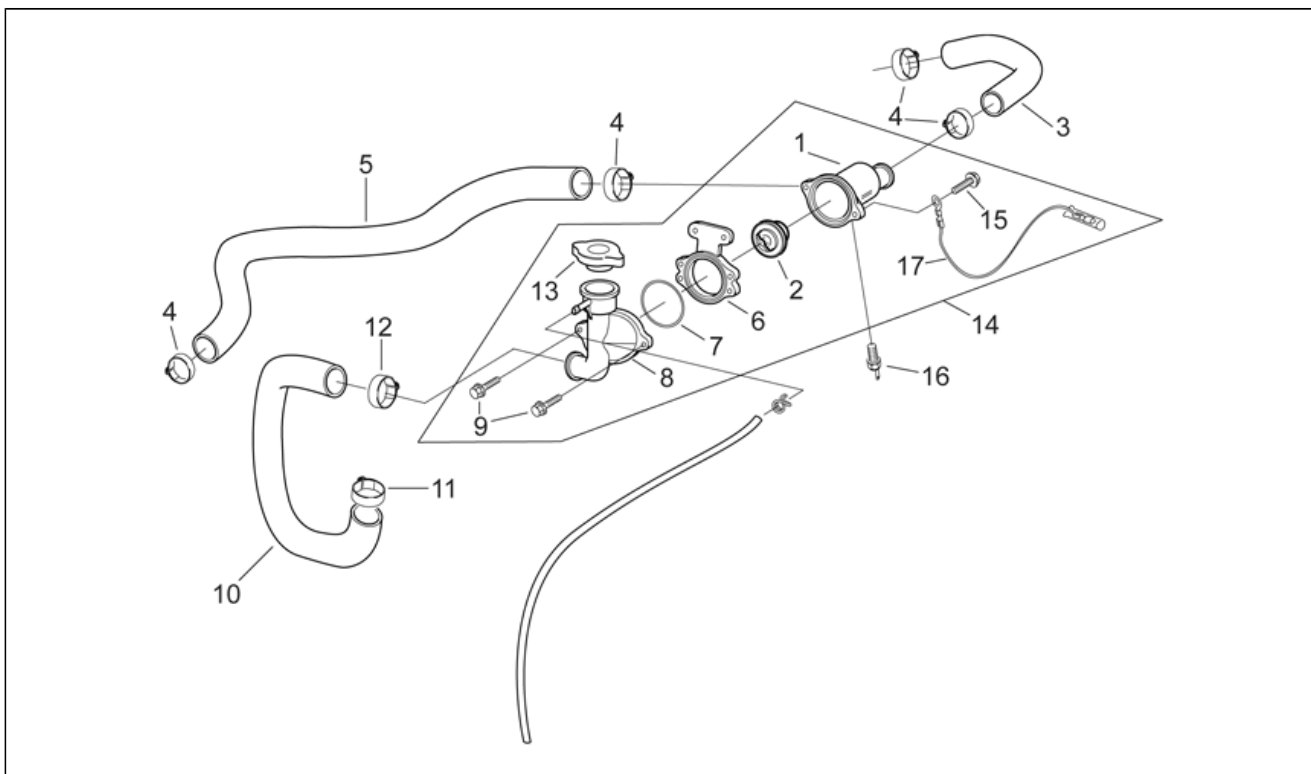
Pos.	Code	Description	Q.ty	Variants
1	AP8118366	Clutch lever cpl.	1	
2	AP8218077	Clutch lever U-bolt	1	
3	AP8118417	Clutch lever	1	
4	AP8118348	Clutch lever adjuster	1	
5	AP8118379	Left half handlebar	1	
6	AP8118308	Starter lever	1	
7	AP8124331	LH lights selector	1	
8	AP8118485	Handgrip pair, black	1	
9	AP8114286	Choke cable	1	
10	AP8114287	Throttle cable	1	
11	AP8114305	Splitter cable-actuator	1	
12	AP8134310	Splitter supp.plate	1	
13	AP8124330	RH lights selector	1	Country: Australia[AUS], Belgium[B], Brasil[BR], Germany[D], Denmark[DK], Spain[E], France[F], Greece[GR], Italy[I], Malaysia[MAL], Holland[NL], Portugal[P], Great Britain[UK], United States of America[USA]
13	AP8124526	RH lights selector	1	Country: Japan[J]
14	AP8118466	Throttle+hand grip	1	
15	AP8114306	Splitter cable-mix pump	1	
16	AP8114307	Splitter cable-RH carbur.	1	
17	AP8114308	Splitter cable-RH carbur.	1	
18	AP8114367	Clutch cable	1	
19	AP8152288	Screw w/ flange M8x30*	1	
20	AP8102813	Anti.v weight, black	2	
21	AP8150220	Hex socket screw M6x30*	2	
22	AP8114370	Clutch cable bellows	2	
23	AP8124052	Splitter + sensor	1	
24	AP8113719	Lever pin	1	

Assembly	FRAME
Code	28.19
Description	Water cooler
Revision	1



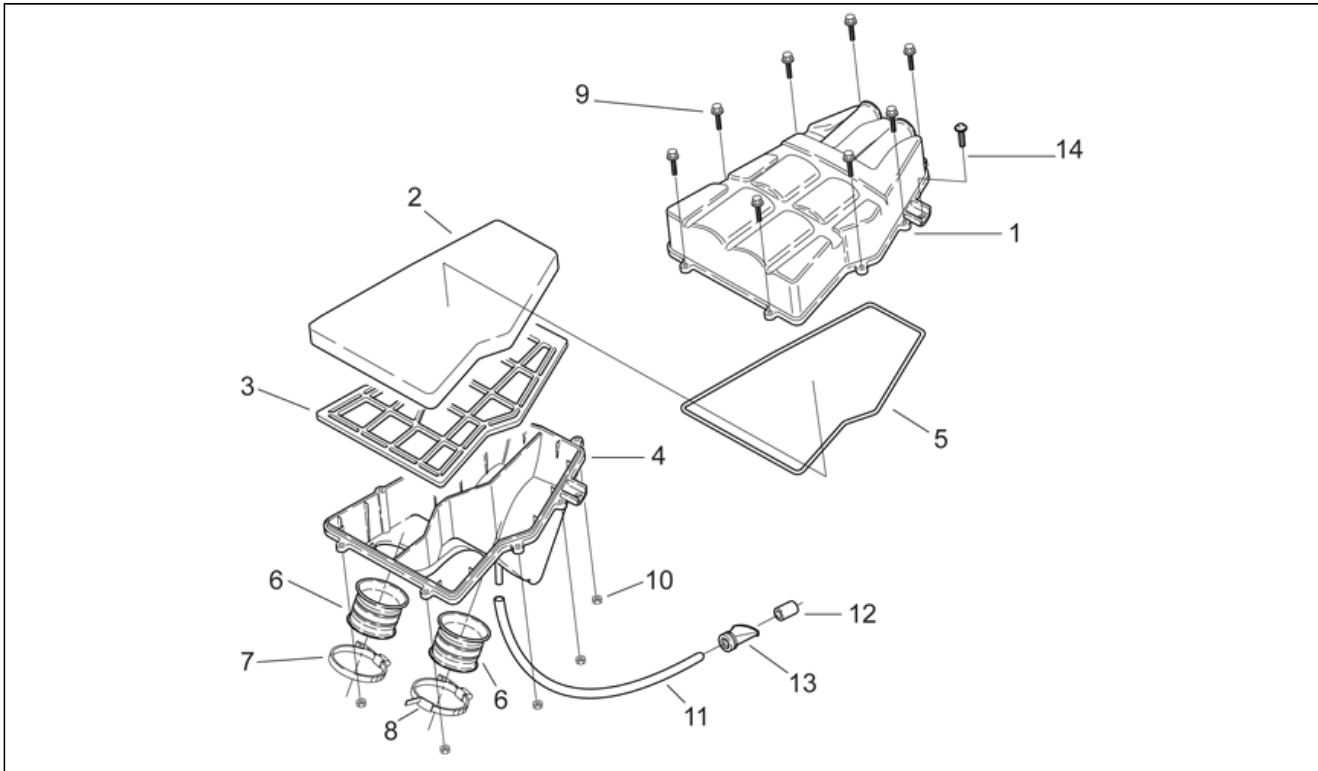
Pos.	Code	Description	Q.ty	Variants
1	AP8102634	Water cooler	1	
2	AP8102745	Expansion tank	1	
3	AP8120354	Plug	1	
4	AP8134461	Water cooler upper support	1	
5	AP8120842	Water cooler-pump tube	1	
6	AP8101661	Hose clamp 25-40 h8	2	
7	AP8220191	Gasket	1	
8	AP8144110	Pipe 7,5x12,5	1	
9	AP8120446	Hose clip, green D11x6,6x1	2	
10	AP8152280	Screw w/ flange M6X25	1	
11	AP8120030	Rubber spacer *	2	
12	AP8121731	T bush *	2	
13	AP8152278	Screw w/ flange M6x16*	1	
14	AP8152299	Self-locking nut M6*	2	
15	AP8152277	Screw w/ flange M6x12*	2	
16	AP8220402	Pipe 5x9	1	
17	AP8152299	Self-locking nut M6*	1	
18	AP8152246	Screw w/ flange M6x16*	1	
19	AP8123929	Plug	1	
20	AP8123930	Washer	1	

Assembly	FRAME
Code	28.20
Description	Thermostat
Revision	1



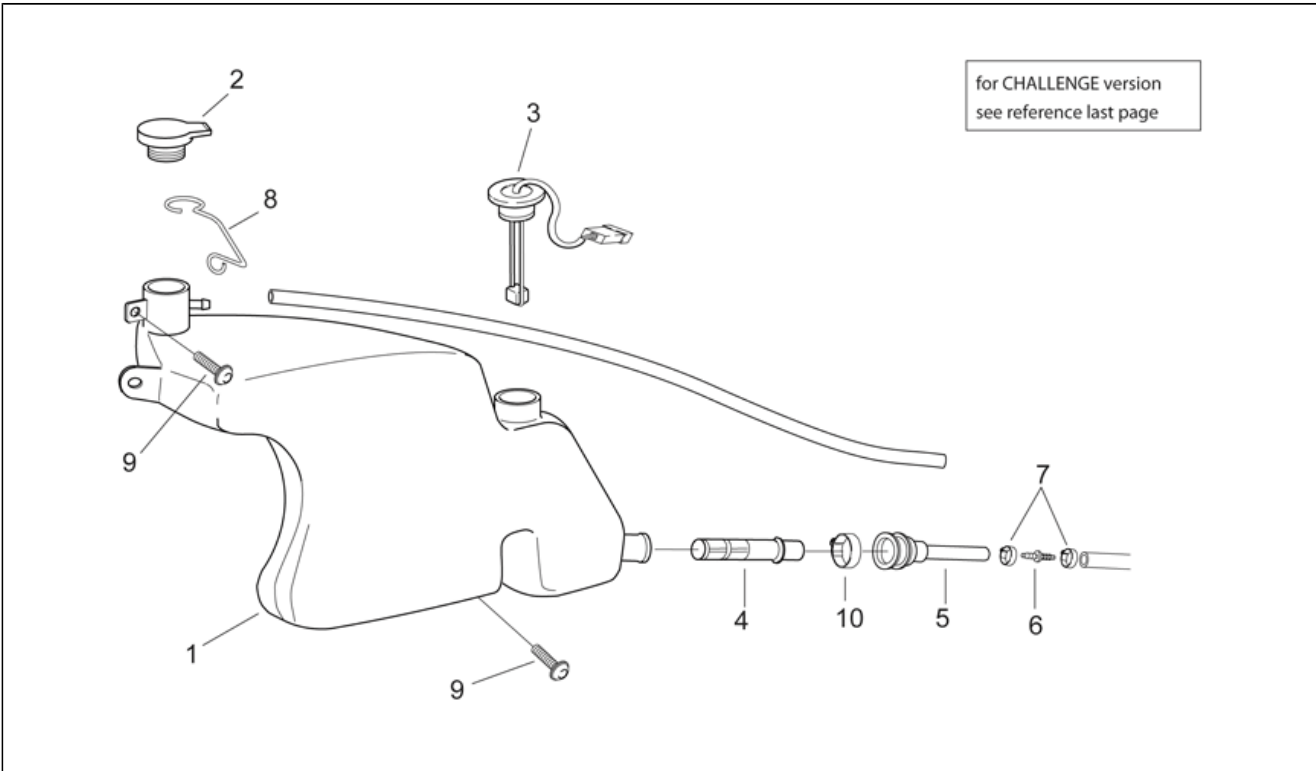
Pos.	Code	Description	Q.ty	Variants
1	AP8600258	Thermostat place	1	
2	AP8600259	Thermostat	1	
3	AP8120840	Thermostat-up. head pipe	1	
4	AP8101722	Hose clip D25x8,6	4	
5	AP8120841	Thermostat-low. head pipe	1	
6	AP8600257	Thermostat holder supp.	1	
7	AP8600255	O-ring	1	
8	AP8600254	Filler cap	1	
9	AP8600256	Screw M6x16	2	
10	AP8120843	Thermostat-cooler pipe	1	
11	AP8120536	Hose clip D28x8,6*	1	
12	AP8201409	Hose clip 290x8,9	1	
13	AP8600253	Water cooler filler cap	1	
14	AP8112968	Thermostat w. Support	1	
15	AP8600260	Screw M6x20	1	
16	AP8212708	Thermistor	1	
17	AP8600400	Ground-thermostat lead	1	

Assembly	FRAME
Code	28.21
Description	Air box
Revision	1



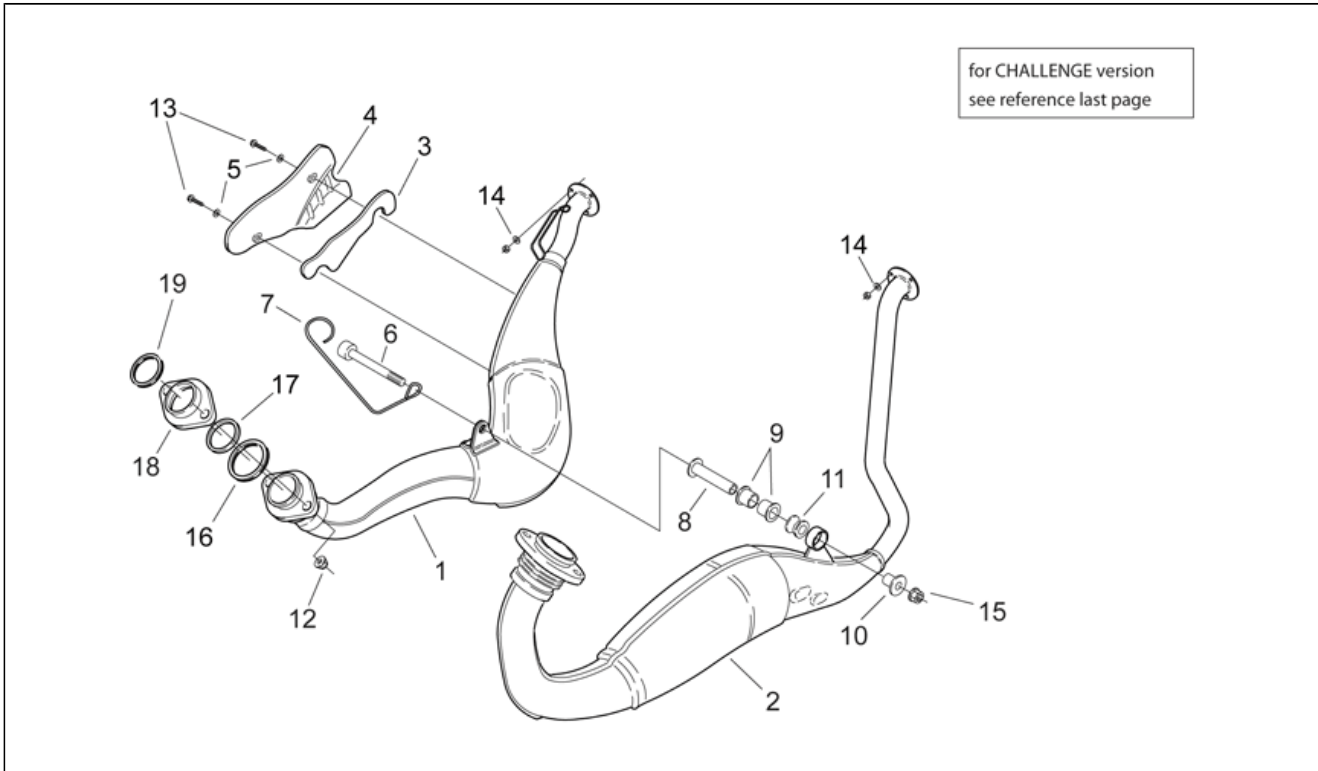
Pos.	Code	Description	Q.ty	Variants
1	AP8131906	Filter housing cover	1	
2	AP8102351	Air filter	1	
3	AP8131905	Filter guard	1	
4	AP8131907	Filter housing base	1	
5	AP8120950	Air filter housing seal	1	
6	AP8120837	Intake hose	1	
7	AP8102458	Hose collar	1	
8	AP8102401	Hose clamp D50-70x8*	1	
9	AP8152274	Screw w/ flange M5X20	8	
10	AP8150025	Nut M5*	8	
11	AP8102459	Breather pipe	1	
12	AP8102120	Breather pipe filter	1	
13	AP8101527	Air box breather pipe	1	
14	AP8152246	Screw w/ flange M6x16*	2	

Assembly	FRAME
Code	28.22
Description	Oil tank
Revision	1



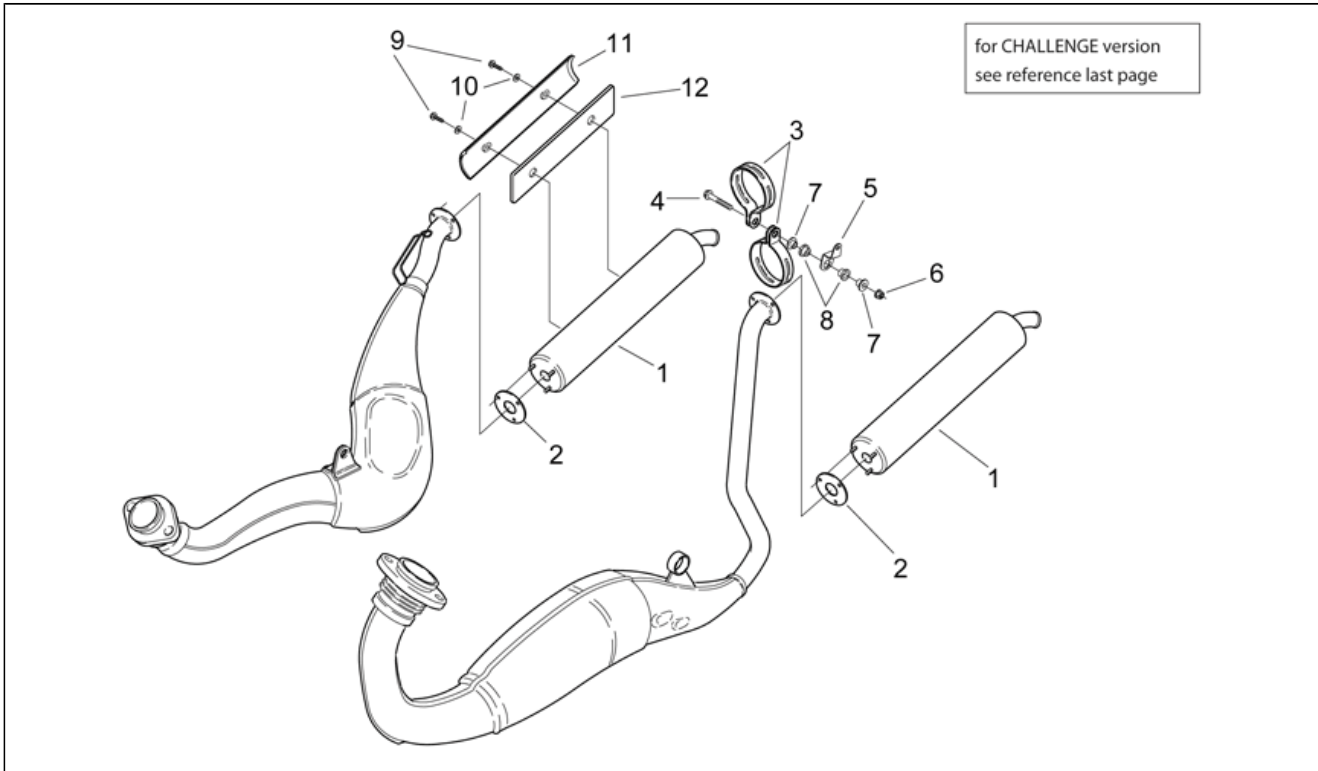
Pos.	Code	Description	Q.ty	Variants
1	AP8138896	Oil tank	1	
2	AP8220154	Oil filler cap	1	
3	AP8124520	Oil reserve indicator	1	
4	AP8102224	Mixer oil filter	1	
5	AP8102223	Rubber spacer *	1	
6	AP8101944	2-way union	1	
7	AP8101770	Hose clip D8x5,5*	2	
8	AP8102815	Plug hook	1	
9	AP8152246	Screw w/ flange M6x16*	1	
10	AP8101743	Hose clip D23,5x8*	1	

Assembly	FRAME
Code	28.25
Description	Exhaust unit I
Revision	1



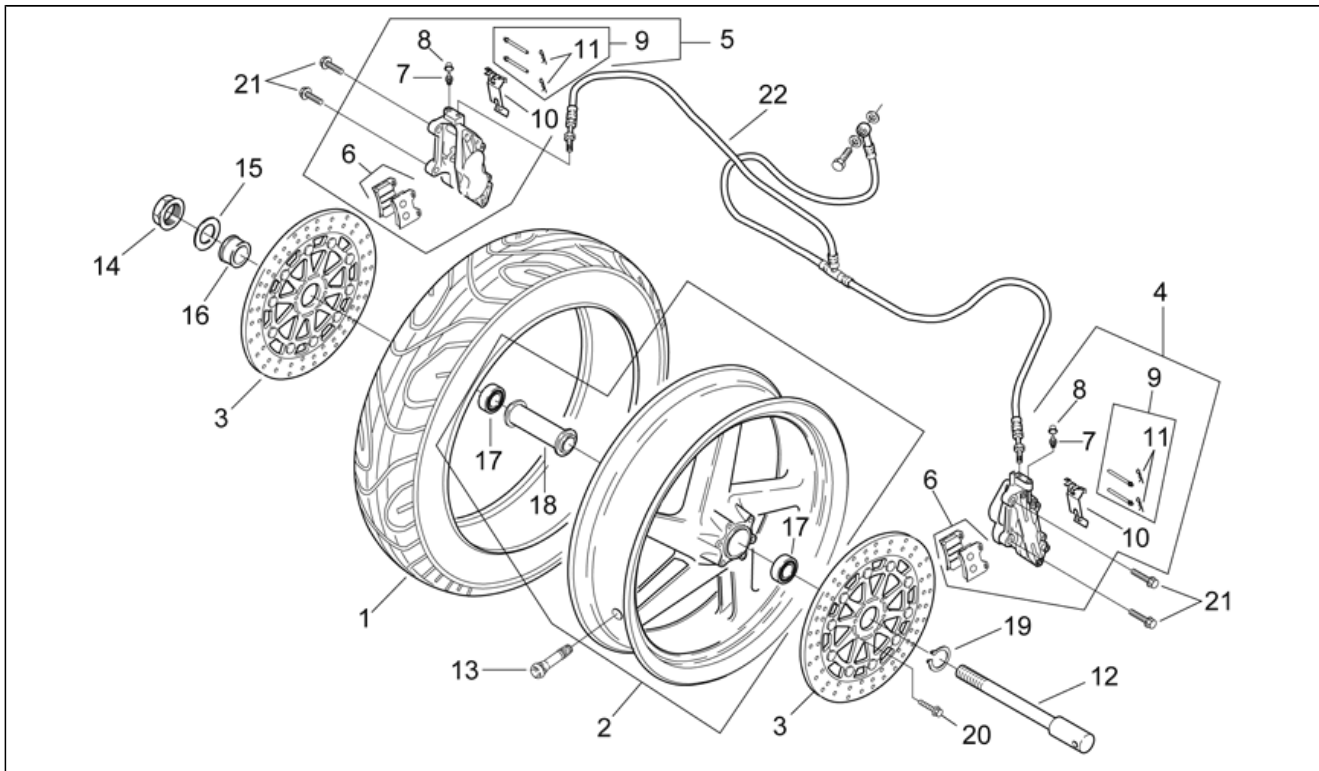
Pos.	Code	Description	Q.ty	Variants
1	AP8119332	RH exhaust pipe	1	Country: Australia[AUS], Belgium[B], Brasil[BR], Denmark[DK], Spain[E], France[F], Greece[GR], Italy[I], Japan[J], Malaysia[MAL], Holland[NL], Portugal[P], Great Britain[UK]
1	AP8119391	RH cat.exhaust pipe	1	Country: Germany[D]
2	AP8119333	LH exaust pipe	1	Country: Australia[AUS], Belgium[B], Brasil[BR], Denmark[DK], Spain[E], France[F], Greece[GR], Italy[I], Japan[J], Malaysia[MAL], Holland[NL], Portugal[P], Great Britain[UK]
2	AP8119392	LH cat.exhaust pipe	1	Country: Germany[D]
3	AP8117104	Exhaust p. prot. plate	1	Country: Germany[D]
4	AP8117102	Exhaust pipe heat prot.	1	Country: Germany[D]
5	AP8150015	Washer 6,6x18x1,6*	8	Country: Germany[D]
6	AP8150388	Hex socket screw M8x100*	1	
7	AP8121963	Breather pipe cable guide	1	
8	AP8134334	Exhaust pipe support	1	
9	AP8120947	Rubber exhaust	2	
10	AP8221056	T bush *	1	
11	AP8120948	Rubber exhaust	1	
12	AP8150334	Nut	4	
13	AP8152278	Screw w/ flange M6x16*	2	Country: Germany[D]
14	AP8150178	Washer 6,4x12,5*	6	
15	AP8152300	Self-locking nut M8*	1	
16	AP8119356	Exhaust pipe flange gasket	2	
17	AP8119358	Exhaust pipe flange gasket	2	
18	AP8106295	Exhaust flange	2	
19	AP8119357	Exhaust pipe flange gasket	2	

Assembly	FRAME
Code	28.26
Description	Exhaust unit II
Revision	1



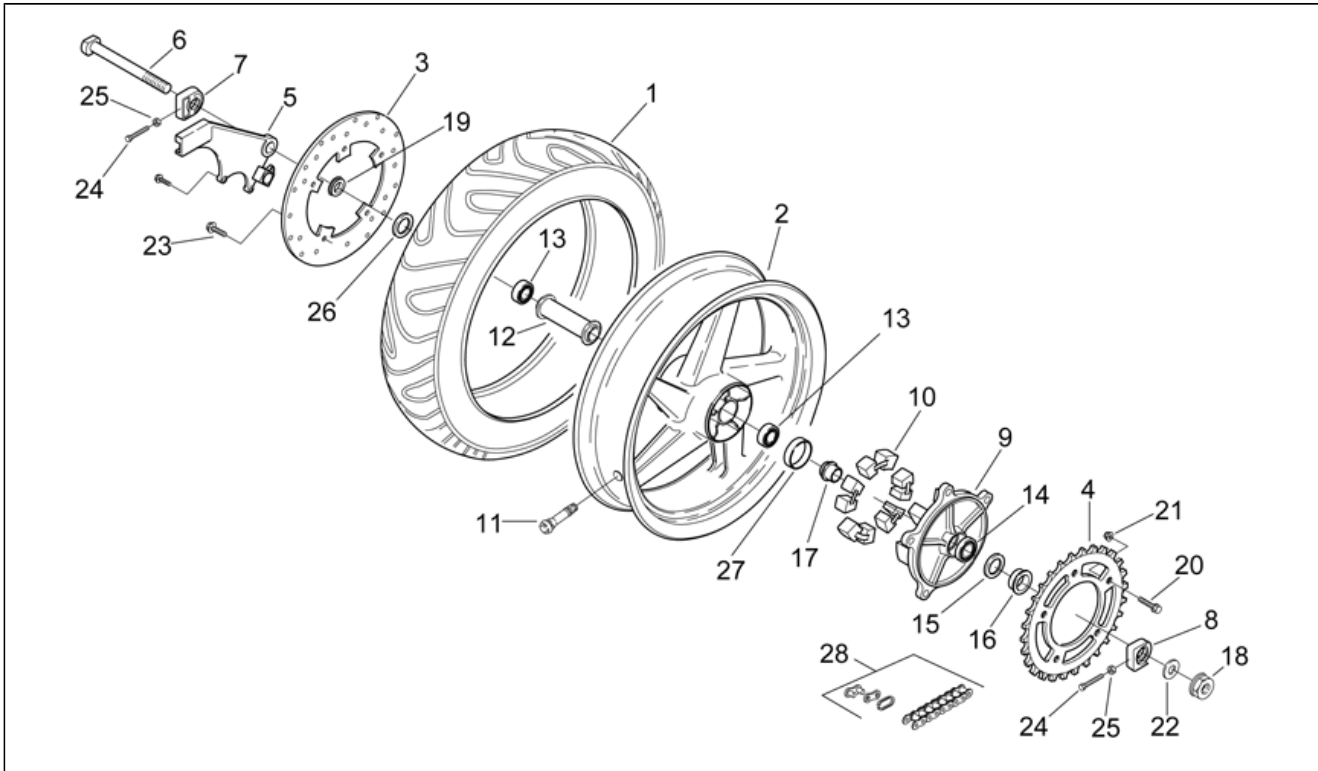
Pos.	Code	Description	Q.ty	Variants
1	AP8119384	StainSteel silencer	2	Country: Germany[D]
1	AP8119437	Silencer	2	Country: Australia[AUS], Belgium[B], Brasil[BR], Denmark[DK], Spain[E], France[F], Greece[GR], Italy[I], Japan[J], Malaysia[MAL], Holland[NL], Portugal[P], Great Britain[UK]
2	AP8119399	Silencer gasket	2	
3	AP8102430	Silencer clip	2	Country: Germany[D]
3	AP8102744	Silencer clip	2	Country: Australia[AUS], Belgium[B], Brasil[BR], Denmark[DK], Spain[E], France[F], Greece[GR], Italy[I], Japan[J], Malaysia[MAL], Holland[NL], Portugal[P], Great Britain[UK]
4	AP8152290	Screw w/ flange M8x40*	1	
5	AP8134355	Silencer supp. plate	1	
6	AP8152300	Self-locking nut M8*	1	
7	AP8121716	T bush *	2	
8	AP8120638	Silent-block *	2	
9	AP8152277	Screw w/ flange M6x12*	4	Country: Germany[D]
10	AP8150015	Washer 6,6x18x1,6*	6	Country: Germany[D]
11	AP8117100	Exhaust pipe heat prot.	2	Country: Germany[D]
12	AP8117105	Exhaust p. prot. plate	2	Country: Germany[D]

Assembly	FRAME
Code	28.27
Description	Front wheel
Revision	1



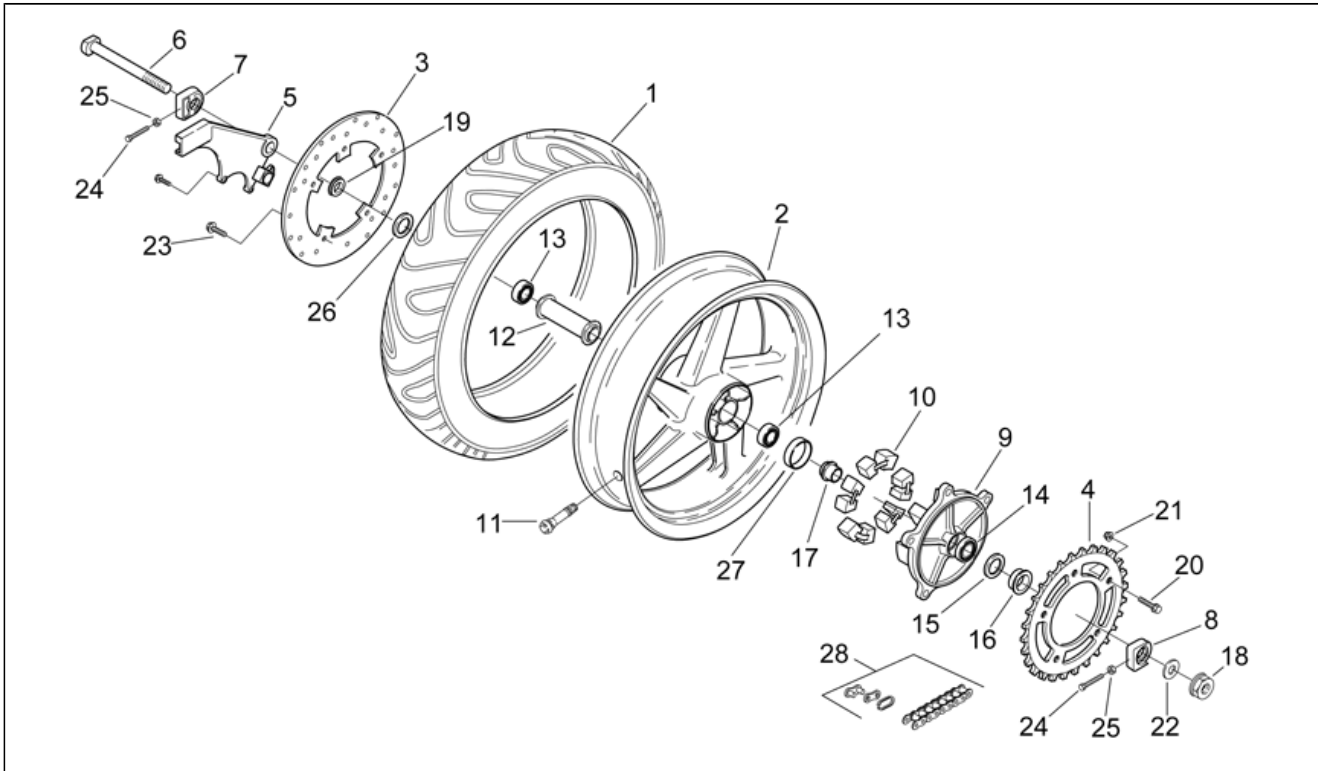
Pos.	Code	Description	Q.ty	Variants
1	0000000	Tyre 110/90"	1	
2	AP8108715	Front wheel, black	1	
3	AP8113500	Front brake disc	2	
4	AP8113671	LH front brake caliper	1	
5	AP8113670	RH front brake caliper	1	
6	AP8113720	Pads pair	2	
7	AP8213193	Air bleed valve	2	
8	AP8113070	Bleed valve cap	2	
9	AP8113721	Pin+split pin	2	
10	AP8113722	Spring	2	
11	AP8113723	Split pin	2	
12	AP8125761	Front wheel spindle	1	
13	AP8101744	Tubeless tyre valve	1	
14	AP8152335	Wheel spindle nut	1	
15	AP8152323	Washer 25,2x36x1	1	
16	AP8125728	Front RH whe.ou.spacer	1	
17	AP8125777	Ball bearing 25x47x12	2	
18	AP8125778	Internal spacer	1	
19	AP8125779	Circlip	1	
20	AP8152285	Screw w/ flange M8x16*	12	
21	AP8152336	Screw w/ flange M10x1,25	4	
22	AP8113664	Front brake hose	1	

Assembly	FRAME
Code	28.28
Description	Rear wheel
Revision	1



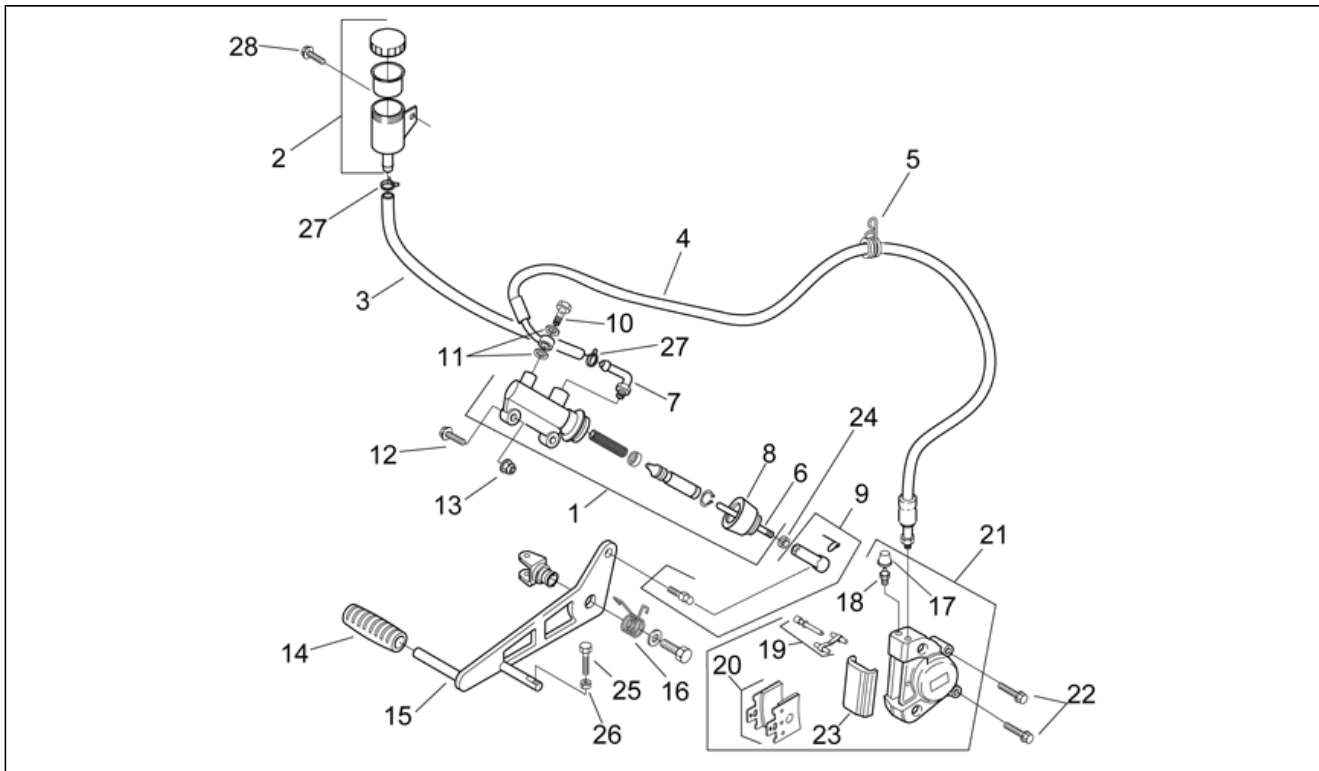
Pos.	Code	Description	Q.ty	Variants
1	0000000	Tyre 110/90"	1	
2	AP8108716	Rear wheel, black	1	
3	AP8113505	Rear brake disc	1	
4	AP8107096	Chain ring Z=42	1	Country: Australia[AUS], Belgium[B], Brasil[BR], Denmark[DK], Spain[E], France[F], Greece[GR], Italy[I], Japan[J], Malaysia[MAL], Holland[NL], Portugal[P], Great Britain[UK]
4	AP8107114	Chain ring Z=43	1	Country: Germany[D]
5	AP8134464	Brake hanger plate	1	
6	AP8125654	Rear wheel spindle	1	
7	AP8120807	RH chain guide plate, br.	1	
8	AP8120806	LH chain guide plate, br.	1	
9	AP8107113	Crown holder, black	1	
10	AP8125656	Flexible coupling rubber	1	
11	AP8101744	Tubeless tyre valve	2	
12	AP8125775	Internal spacer	1	
13	AP8125774	Bearing 6004-2rs1	1	
14	AP8110076	Ball bearing	1	
15	AP8120949	Gasket ring 30x52x7	1	
16	AP8125658	Rear LH whe.ou.spacer	1	
17	AP8125655	Rear LH whe.in.spacer	1	
18	AP8125763	Rear wheel spindle nut	1	
19	AP8125657	Rear RH whe.ou.spacer	1	
20	AP8152288	Screw w/ flange M8x30*	5	
21	AP8152300	Self-locking nut M8*	5	
22	AP8125687	Wheel pin washer	1	
23	AP8152285	Screw w/ flange M8x16*	6	
24	AP8152305	Chain tens.adjuster screw	2	
25	AP8152262	Low nut M8*	2	

Assembly	FRAME
Code	28.28
Description	Rear wheel
Revision	1



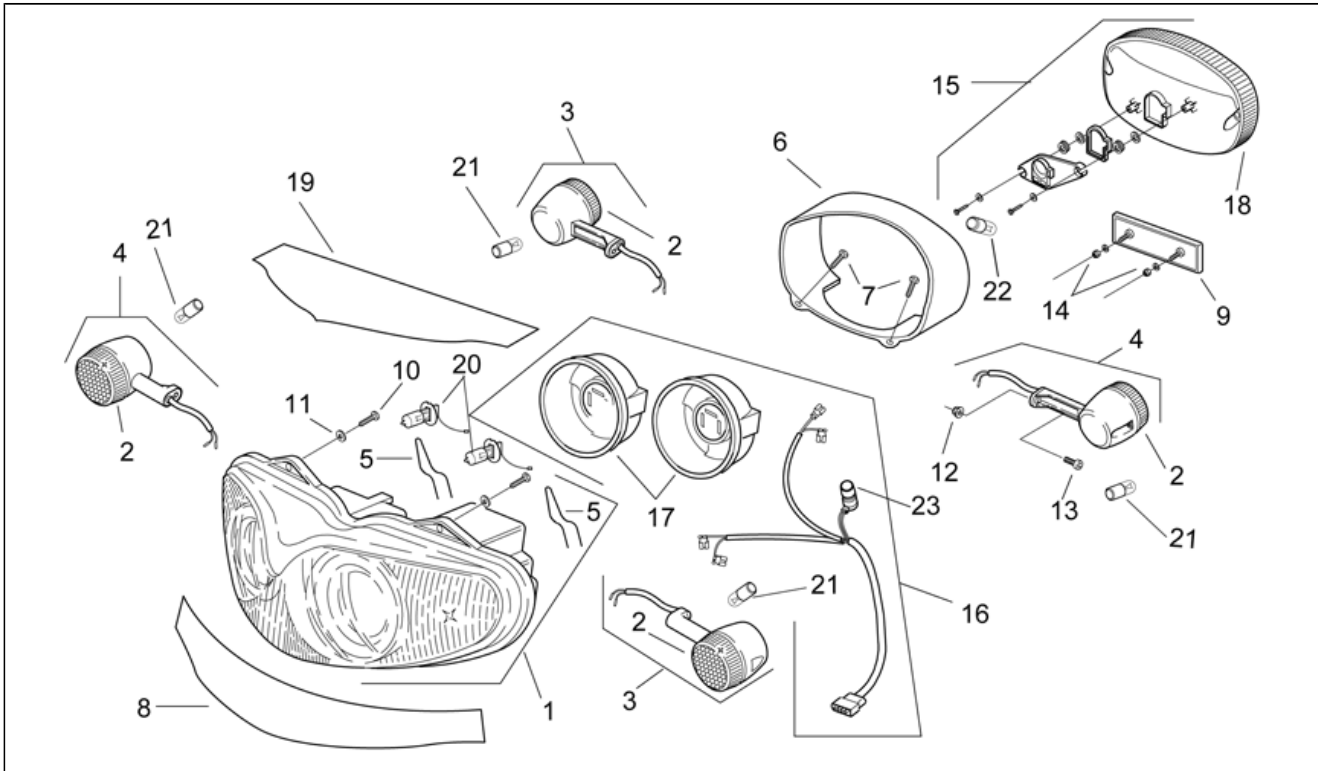
Pos.	Code	Description	Q.ty	Variants
26	AP8125773	Gasket ring 30x47x7	1	
27	AP8125776	Ring	1	
28	AP8107095	Chain cpl conn.link	1	

Assembly	FRAME
Code	28.29
Description	Rear master cylinder
Revision	1



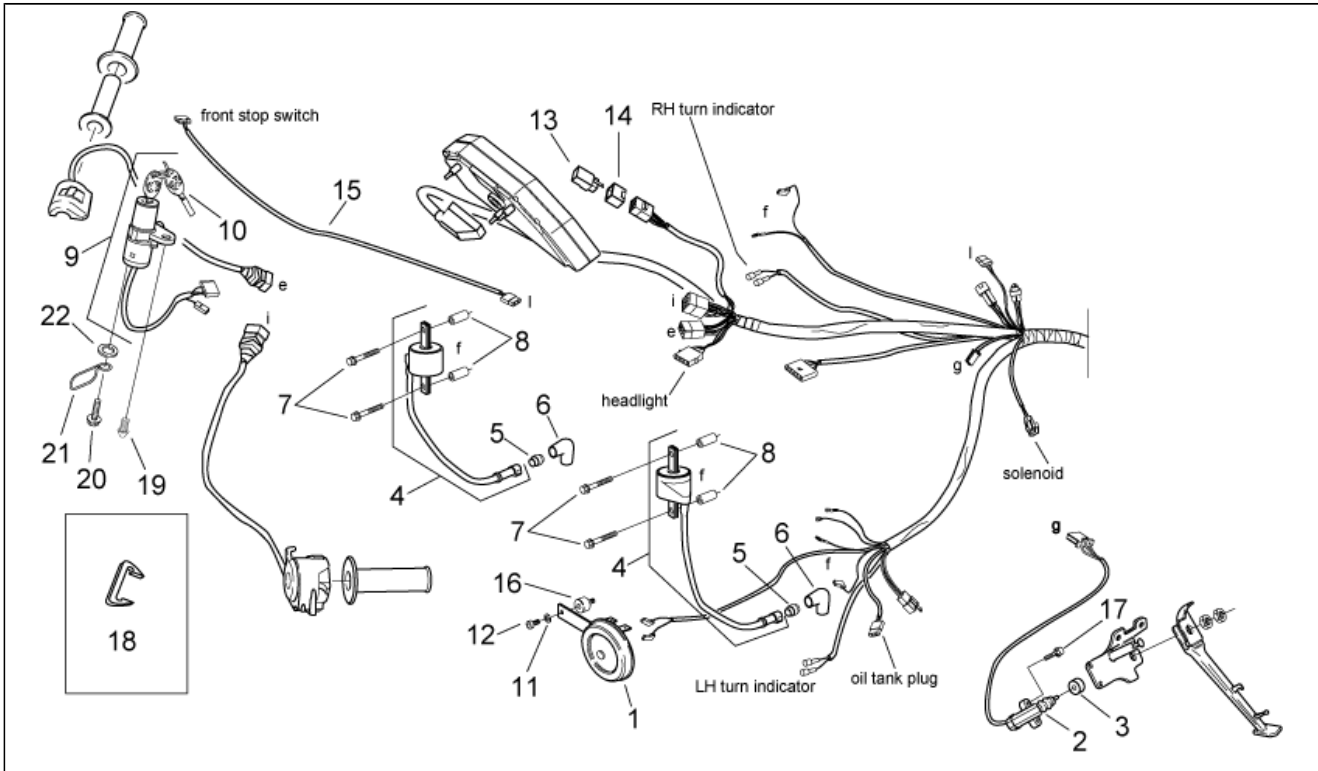
Pos.	Code	Description	Q.ty	Variants
1	AP8113359	Rear master cylinder	1	
2	AP8113241	Brake oil tank complete	1	
3	AP8120976	Pipe D5x9	1	
4	AP8113503	Rear brake hose	1	
5	AP8121856	Cable-guide	1	
6	AP8121842	Master cylinder rod	1	
7	AP8213057	Rear brake pump union	1	
8	AP8113288	Rubber bellows	1	
9	AP8210007	RH ball joint M6	1	
10	AP8113003	Oil pipe screw *	1	
11	AP8113004	Washer 10x14x1,6*	2	
12	AP8152281	Screw w/ flange M6X30	2	
13	AP8152299	Self-locking nut M6*	2	
14	AP8120912	Lever rubber	1	
15	AP8135516	Rear brake lever	1	
16	AP8121942	Brake return spring	1	
17	AP8113070	Bleed valve cap	1	
18	AP8113353	Air bleed valve	1	
19	AP8213198	Brake caliper pin	1	
20	AP8213197	Pads pair	1	
21	AP8213172	Brake caliper	1	
22	AP8152287	Screw w/ flange M8x25*	2	
23	AP8213199	Brake caliper cover	1	
24	AP8152105	Washer 6,4x10x,7*	1	
25	AP8150072	Hex screw M6x25	1	
26	AP8150430	Low self-locking nut M6*	2	
27	AP8102811	Hose clamp D9,6	1	
28	AP8152273	Screw w/ flange M5x16	1	

Assembly	FRAME
Code	28.30
Description	Lights
Revision	1



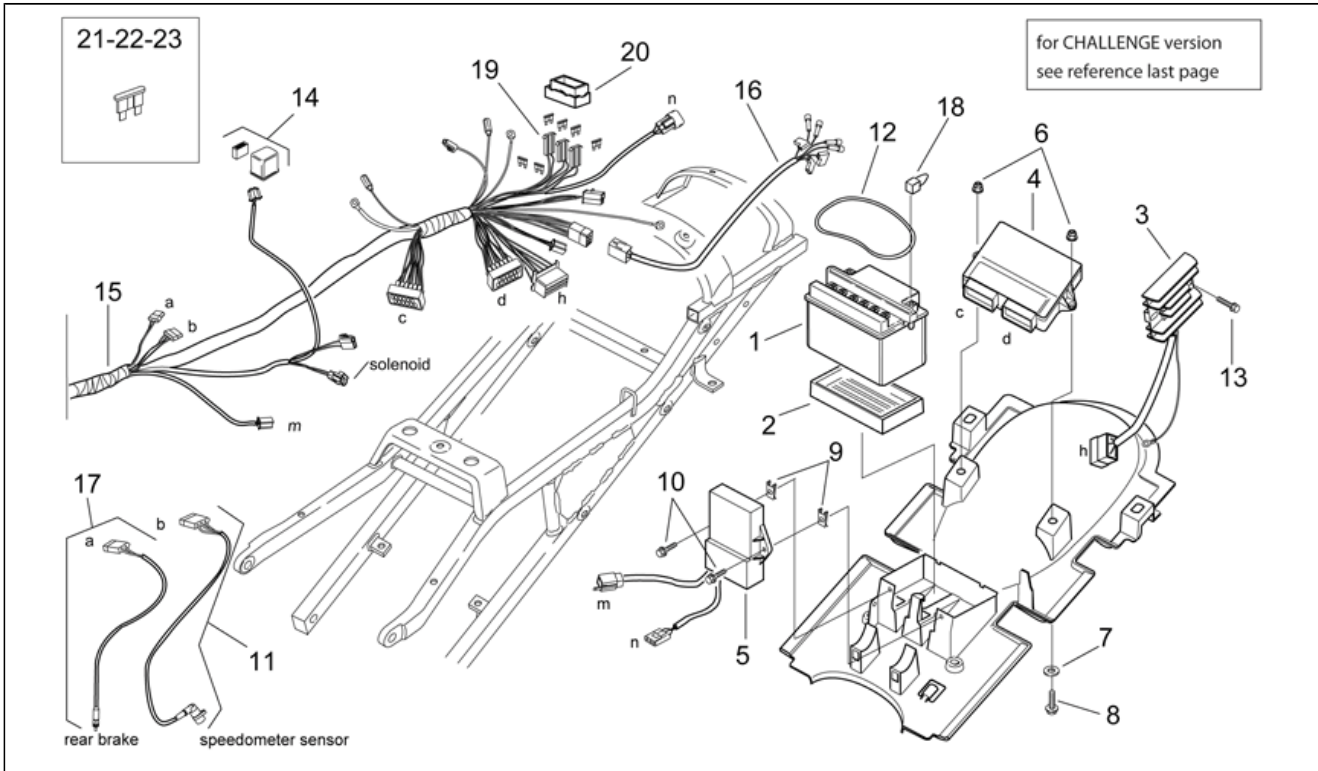
Pos.	Code	Description	Q.ty	Variants
1	AP8124429	Headlight	1	Country:Belgium[B], Brasil[BR], Germany[D], Denmark[DK], Spain[E], France[F], Greece[GR], Italy[I], Malaysia[MAL], Holland[NL], Portugal[P]
1	AP8124513	Headlight	1	Country:Australia[AUS], Japan[J], Great Britain[UK]
2	AP8212680	Turn indicator lens	4	
3	AP8124135	LH front turn indicator	2	
4	AP8124134	RH front turn indicator	2	
5	AP8124525	Spring	2	
6	AP8134446	Rear headlight supp.	1	
7	AP8150371	Screw M3,9x12,7	2	
8	AP8147546	Lower light guard decal	1	
9	AP8112916	Rear reflector	1	
10	AP8150270	Screw 4,2x20*	2	
11	AP8150158	Washer 4,3x9x0,8*	2	
12	AP8152306	Self-locking nut M5*	4	
13	AP8150252	Hex socket screw M5x20*	4	
14	AP8150204	Nut M4	2	
15	AP8124492	Taillight	1	
16	AP8124634	Headlight wiring w/harness	1	
17	AP8124142	Front headlight guard	2	
18	AP8124527	Taillight lens	1	
19	AP8147545	Upper light guard decal	1	
20	AP8127230	Lamp H3 12V	2	
21	AP8224390	Lamp R10W 12v	4	
22	AP8224389	Lamp P21/5W 12V	1	
23	AP8127164	Lamp W3W 12V	1	

Assembly	FRAME
Code	28.31
Description	Electrical system I
Revision	1



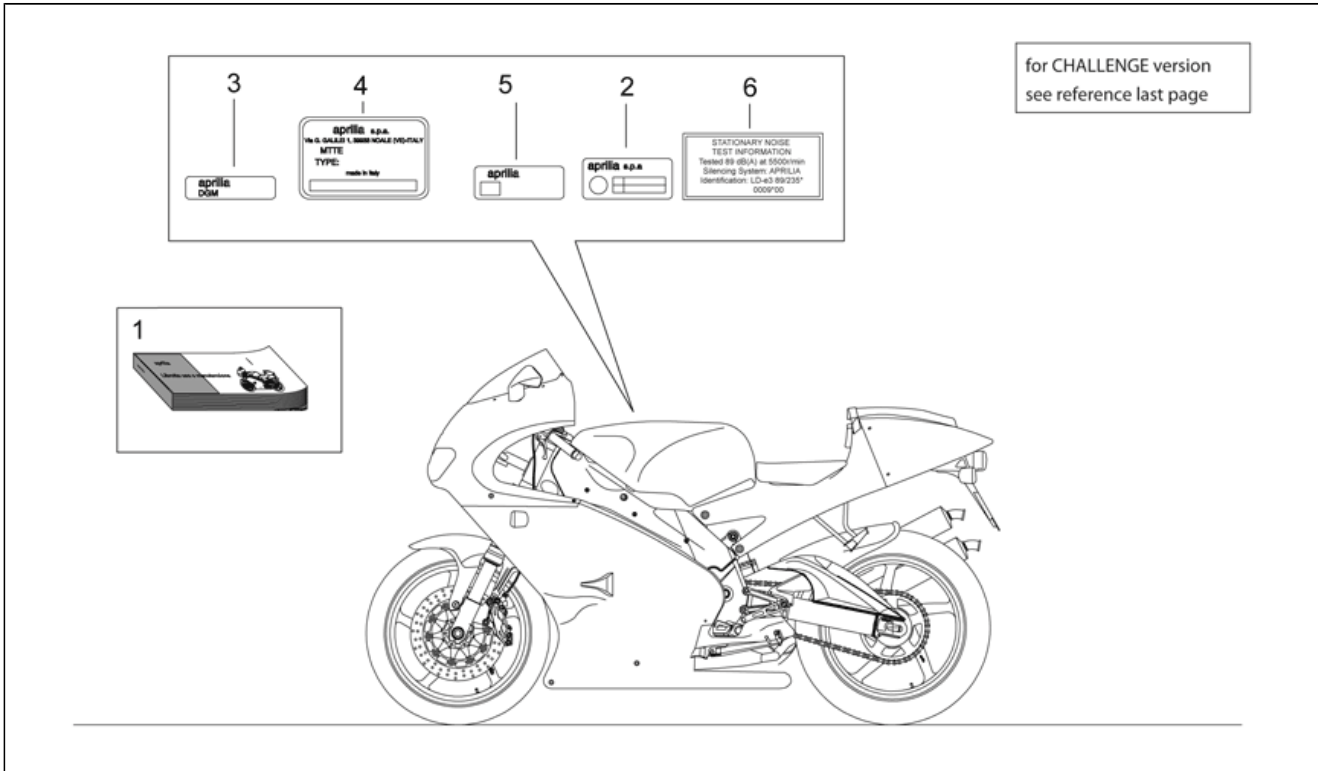
Pos.	Code	Description	Q.ty	Variants
1	AP8124675	Horn	1	
2	AP8124054	Lateral stand switch	1	
3	AP8102549	Lateral stand switch guide	1	
4	AP8600382	HT coil+cable	2	
5	AP8600384	HT cable cap	2	
6	AP8600383	Sparkplug cap	2	
7	AP8152284	Screw w/ flange M6x45*	4	
8	AP8121020	Spacer 6,5x10x19*	4	
9	AP8124495	Main switch - steering lock	1	
10	AP8102880	Aprilia milled key	2	
11	AP8150017	Washer 8,4x16x1,6*	1	
12	AP8152034	Hex socket screw M8x10*	1	
13	AP8212469	Relay 12V/20A	1	
14	AP8220283	Rubber spacer *	1	
15	AP8124288	Brake light switch	1	
16	AP8120910	Silent-block	1	
17	AP8152274	Screw w/ flange M5X20	2	
18	AP8121309	Plugs spring	1	
19	AP8150349	Special screw M8x15	1	
20	AP8152287	Screw w/ flange M8x25*	1	
21	AP8120428	Cable-guide	1	
22	AP8150017	Washer 8,4x16x1,6*	1	

Assembly	FRAME
Code	28.32
Description	Electrical system II
Revision	1



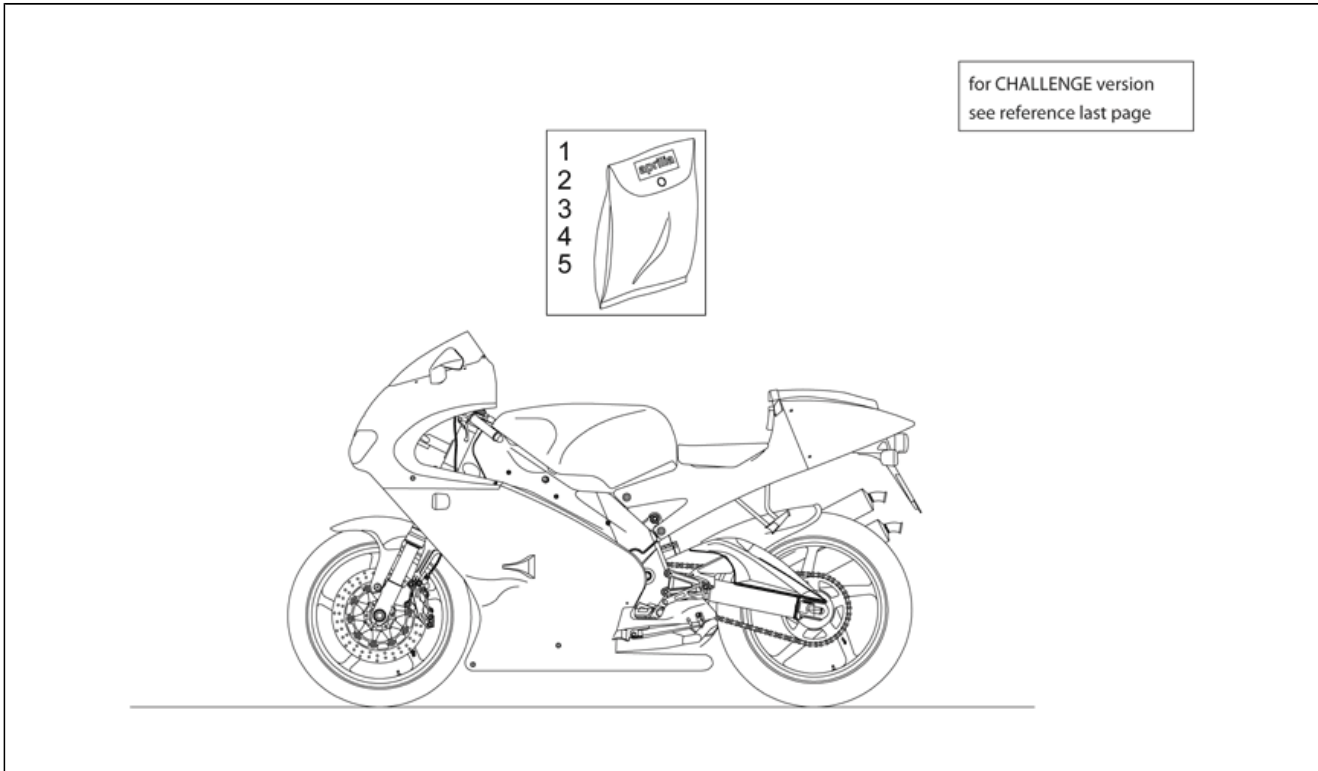
Pos.	Code	Description	Q.ty	Variants
1	AP8212110	Battery 12V-4AH	1	
2	AP8230535	Battery holder	1	
3	AP8112906	Voltage regulator	1	
4	AP8124347	ECU	1	Technical Specifications: Version 25 Kw[25Kw]
4	AP8124349	ECU	1	Technical Specifications: Full Power Version[F.P.]
5	AP8124050	CDI unit assy	1	
6	AP8152299	Self-locking nut M6*	2	
7	AP8150015	Washer 6,6x18x1,6*	2	
8	AP8152279	Screw w/ flange M6x20	2	
9	AP8102376	Clip M6	2	
10	AP8152278	Screw w/ flange M6x16*	2	
11	AP8124202	Speedometer sensor cpl.	1	
12	AP8120951	Battery fixing snap	1	
13	AP8152280	Screw w/ flange M6X25	1	
14	AP8112795	Flasher unit	1	
15	AP8124633	Main wiring harness	1	
16	AP8124428	Taillight wiring harn.	1	
17	AP8112996	Brake light switch	1	
18	AP8144141	Terminal cap	1	
19	AP8120754	Rubber fuse box	3	
20	AP8112942	Rubber fuse box	1	
21	AP8112244	Fuse 7,5A	1	
22	AP8112176	Fuse 15A	1	
23	AP8112506	Fuse 20A	1	

Assembly	FRAME
Code	28.33
Description	Plate set and handbooks
Revision	1



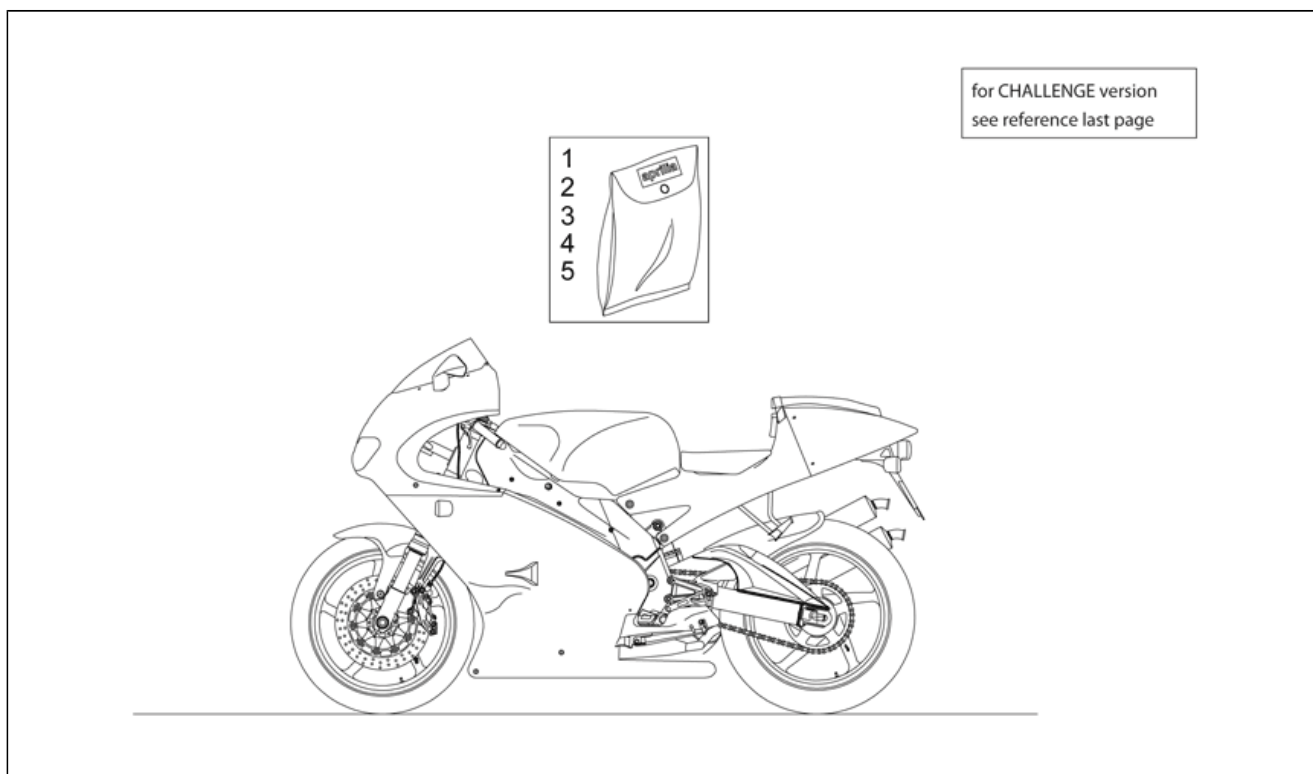
Pos.	Code	Description	Q.ty	Variants
1	AP8102743	Operator's handbook -I-F-D-	1	Country:Belgium[B], Germany[D], France[F], Italy[I]
1	AP8102854	Operator's handbook -P-E-UK-	1	Country:Brasil[BR], Spain[E], Malaysia[MAL], Portugal[P], Great Britain[UK]
1	AP8102855	Operator's handbook -NL-DK-SF-	1	Country:Belgium[B], Denmark[DK], Holland[NL]
1	AP8102856	Operator's handbook -GR-J-UK-	1	Country:Greece[GR], Japan[J]
1	AP8102908	Operator's handbook -AUS-	1	Country:Australia[AUS]
2	AP8137695	Name plate ECE-D-	1	Country:Germany[D]
2	AP8147565	ECE dataplate	1	Country:Belgium[B], Denmark[DK], Spain[E], France[F], Greece[GR], Italy[I], Japan[J], Malaysia[MAL], Holland[NL], Portugal[P], Great Britain[UK]
3	AP8147129	DGM dataplate	1	Country: Greece[GR], Italy[I] Technical Specifications:Full Power Version[F.P.]
3	AP8147787	DGM dataplate -25Kw-	1	Country: Greece[GR], Italy[I] Technical Specifications:Version 25 Kw[25Kw]
4	AP8147491	Constructor dataplate	1	Country:Germany[D]
4	AP8147563	Constructor dataplate	1	Country: Belgium[B], Denmark[DK], Spain[E], France[F], Greece[GR], Italy[I], Japan[J], Malaysia[MAL], Holland[NL], Portugal[P], Great Britain[UK] Technical Specifications:Full Power Version[F.P.]
4	AP8147642	Constructor dataplate	1	Country: Denmark[DK], Spain[E], France[F], Italy[I] Technical Specifications:Version 25 Kw[25Kw]
4	AP8147838	Constructor dataplate	1	Country:Belgium[B]
4	AP8147956	Constructor dataplate	1	Country:Australia[AUS]
5	AP8137693	Name plate CEE	1	Country:Germany[D]
5	AP8147564	Name plate CEE	1	Country:Belgium[B], Denmark[DK], Spain[E], France[F], Greece[GR], Italy[I], Japan[J], Malaysia[MAL], Holland[NL], Portugal[P], Great Britain[UK]
6	AP8147954	Tamperproof dataplate	1	Country:Australia[AUS]

Assembly	FRAME
Code	28.34
Description	Decal
Revision	1



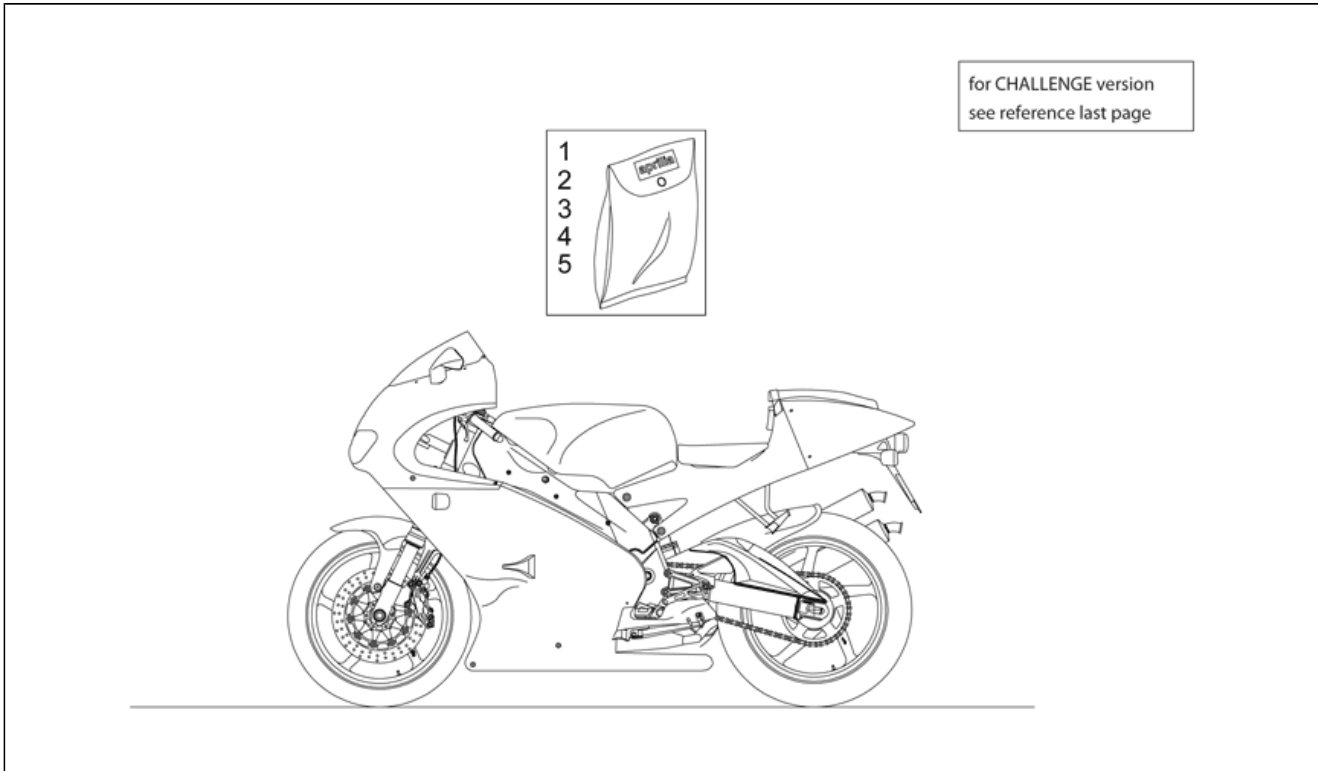
Pos.	Code	Description	Q.ty	Variants
1	AP8147673	Tank decal set	1	year: 1998[W] Color: Trial Red / Cosmos Blue '98[r/b]
1	AP8147674	Tank decal set	1	year: 1998[W] Color: Aprilia Black '98[black]
1	AP8157315	Tank decal set	1	year: 1999[X] Color: Aprilia Black '99[a.bl]
1	AP8157316	Tank decal set	1	year: 1999[X] Color: Fumi Blue / Fluo Red '99[b/r]
1	AP8167027	Tank decal set	1	year: 2000[Y] Color: Nik Grey 2000[grey]
1	AP8167032	Tank decal set	1	year: 2000[Y] Color: Aprilia Black 2000[y.bl]
1	AP8167634	Tank decal set	1	year: 2001[1] Color: Diablo Black 2001[d.bl]
1	AP8177620	Tank decal set	1	year: 2003[3] Color: GP1 2003[gp1]
2	AP8147675	Fairing decal set	1	year: 1998[W] Color: Trial Red / Cosmos Blue '98[r/b]
2	AP8147676	Fairing decal set	1	year: 1998[W] Color: Aprilia Black '98[black]
2	AP8157317	Fairing decal set	1	year: 1999[X] Color: Aprilia Black '99[a.bl]
2	AP8157318	Fairing decal set	1	year: 1999[X] Color: Fumi Blue / Fluo Red '99[b/r]
2	AP8167028	Fairing decal set	1	year: 2000[Y] Color: Nik Grey 2000[grey]
2	AP8167033	Fairing decal set	1	year: 2000[Y] Color: Aprilia Black 2000[y.bl]
2	AP8167635	Fairing decal set	1	year: 2001[1] Color: Diablo Black 2001[d.bl]
2	AP8177621	Fairing decal set	1	year: 2003[3] Color: GP1 2003[gp1]

Assembly	FRAME
Code	28.34
Description	Decal
Revision	1



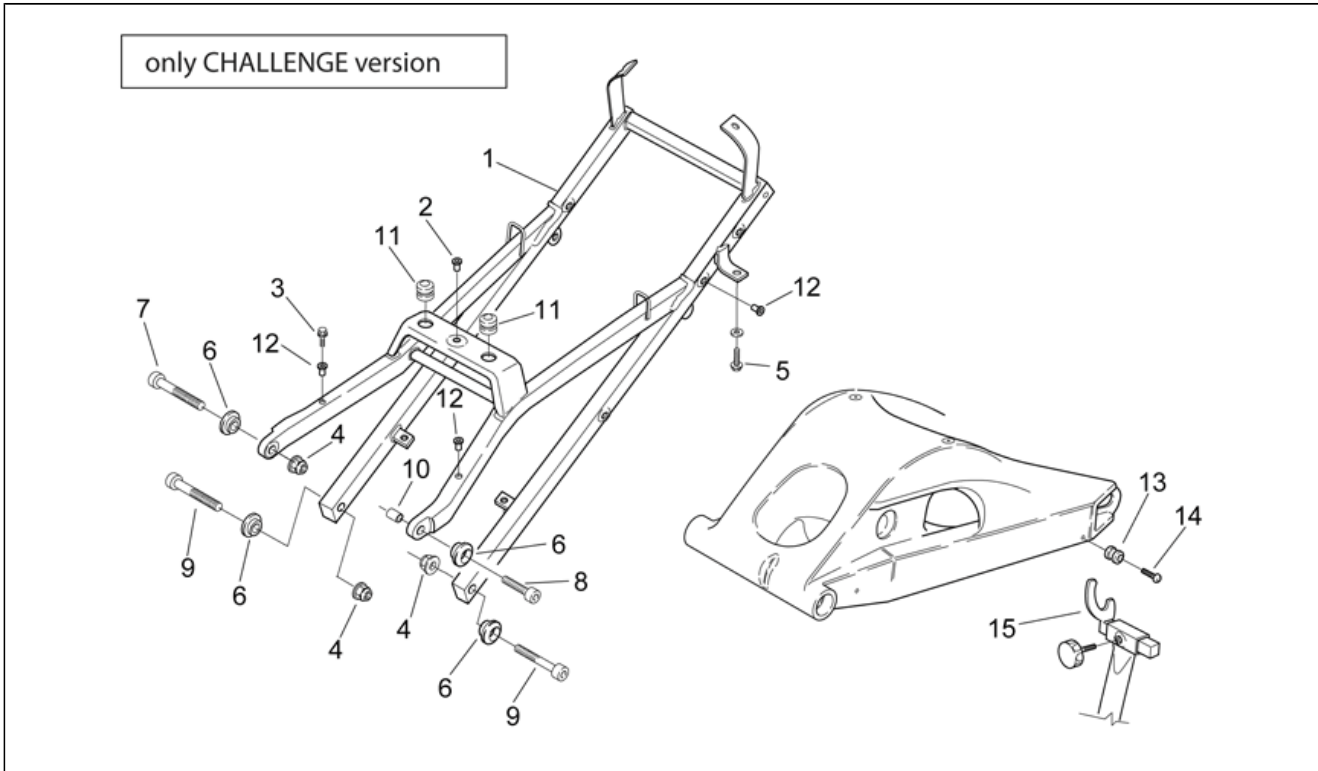
Pos.	Code	Description	Q.ty	Variants
3	AP8147677	Front fairing decal set	1	year: 1998[W] Color: Trial Red / Cosmos Blue '98[r/b]
3	AP8147678	Front fairing decal set	1	year: 1998[W] Color: Aprilia Black '98[black]
3	AP8157319	Front fairing decal set	1	year: 1999[X] Color: Aprilia Black '99[a.bl]
3	AP8157320	Front fairing decal set	1	year: 1999[X] Color: Fumi Blue / Fluo Red '99[b/r]
3	AP8167029	Front fairing decal set	1	year: 2000[Y] Color: Nik Grey 2000[grey]
3	AP8167034	Front fairing decal set	1	year: 2000[Y] Color: Aprilia Black 2000[y.bl]
3	AP8167636	Front fairing decal set	1	year: 2001[1] Color: Diablo Black 2001[d.bl]
3	AP8177622	Front fairing decal set	1	year: 2003[3] Color: GP1 2003[gp1]
4	AP8147679	Rear fairing decal set	1	year: 1998[W] Color: Trial Red / Cosmos Blue '98[r/b]
4	AP8147680	Rear fairing decal set	1	year: 1998[W] Color: Aprilia Black '98[black]
4	AP8157321	Rear fairing decal set	1	year: 1999[X] Color: Aprilia Black '99[a.bl]
4	AP8157322	Rear fairing decal set	1	year: 1999[X] Color: Fumi Blue / Fluo Red '99[b/r]
4	AP8167030	Rear fairing decal set	1	year: 2000[Y] Color: Nik Grey 2000[grey]
4	AP8167035	Rear fairing decal set	1	year: 2000[Y] Color: Aprilia Black 2000[y.bl]
4	AP8167637	Rear fairing decal set	1	year: 2001[1] Color: Diablo Black 2001[d.bl]
4	AP8177623	Rear fairing decal set	1	year: 2003[3] Color: GP1 2003[gp1]

Assembly	FRAME
Code	28.34
Description	Decal
Revision	1



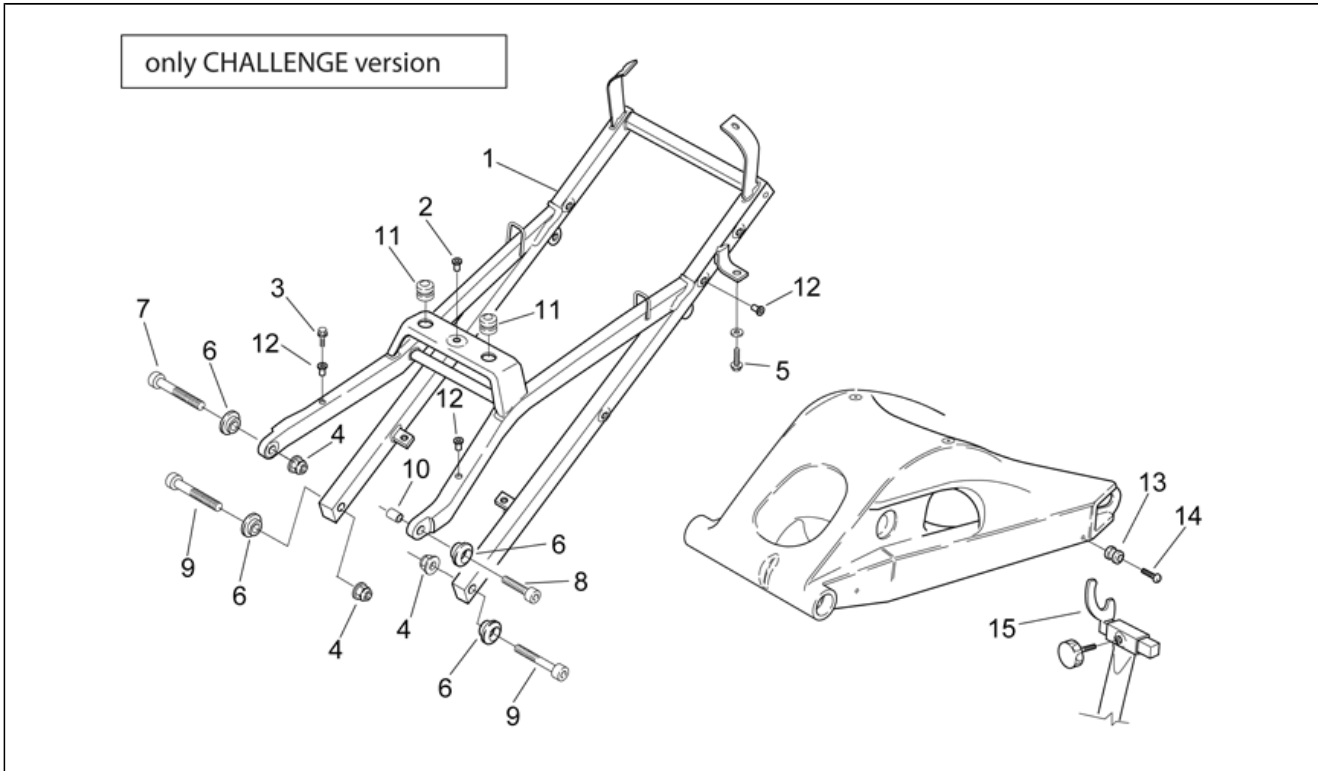
Pos.	Code	Description	Q.ty	Variants
5	AP8147681	Technical decal set	1	year:1998[W]
5	AP8157323	Technical decal set	1	year:1999[X]
5	AP8167031	Technical decal set	1	year:2000[Y]
5	AP8167638	Technical decal set	1	year:2001[1]
5	AP8177624	Technical decal set	1	year: 2003[3] Color:GP1 2003[gp1]

Assembly	FRAME
Code	28.54
Description	Saddel supp./Swing arm-Chall.Vers.
Revision	1



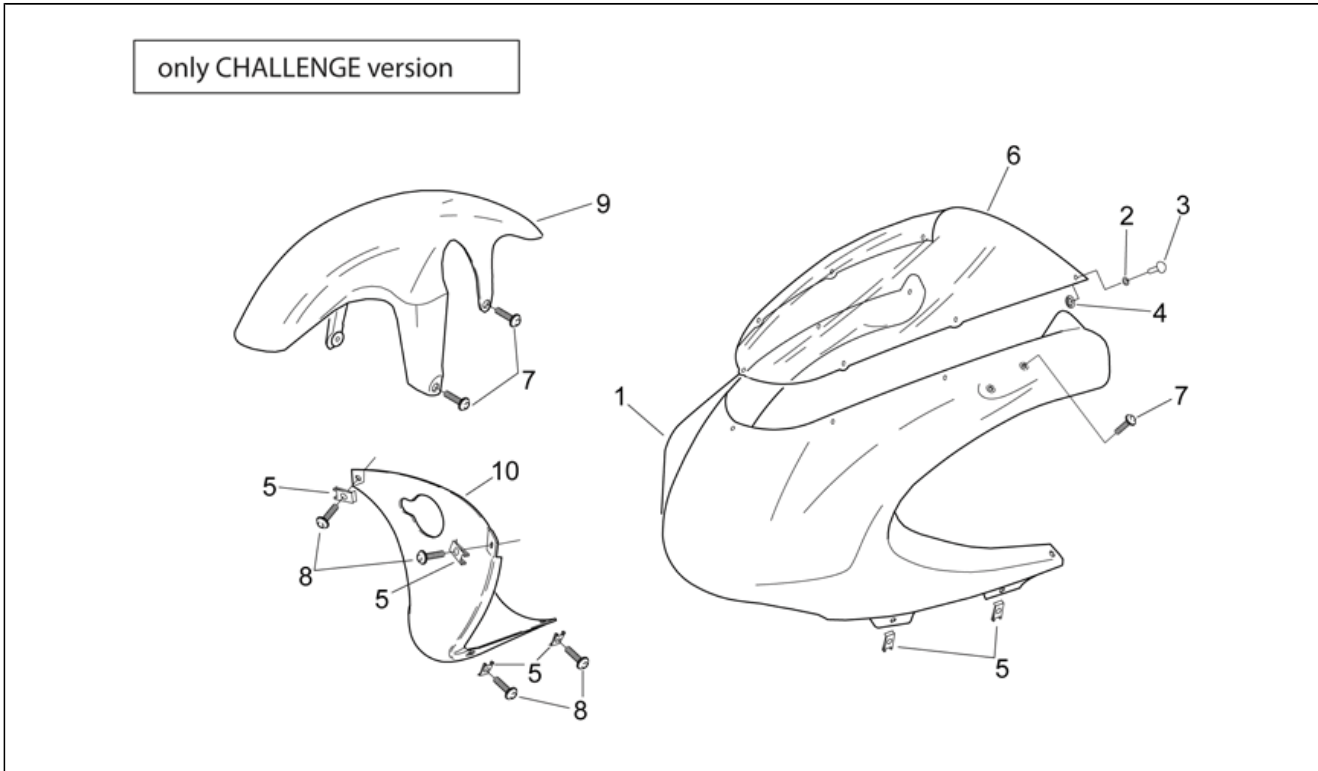
Pos.	Code	Description	Q.ty	Variants
1	AP8146204	Saddle support	1	year: 2003[3], 1998[W] Country: United States of America[USA] Technical Specifications: CHALLENGE Version United States[CHA]
2	AP8102902	Hex threaded insert	1	year: 2003[3], 1998[W] Country: United States of America[USA] Technical Specifications: CHALLENGE Version United States[CHA]
3	AP8102179	Threaded rivet M8	1	year: 2003[3], 1998[W] Country: United States of America[USA] Technical Specifications: CHALLENGE Version United States[CHA]
4	AP8152300	Self-locking nut M8*	3	year: 2003[3], 1998[W] Country: United States of America[USA] Technical Specifications: CHALLENGE Version United States[CHA]
5	AP8152280	Screw w/ flange M6x25	2	year: 2003[3], 1998[W] Country: United States of America[USA] Technical Specifications: CHALLENGE Version United States[CHA]
6	AP8135735	Bush	4	year: 2003[3], 1998[W] Country: United States of America[USA] Technical Specifications: CHALLENGE Version United States[CHA]
7	AP8150164	Hex socket screw M8x45*	1	year: 2003[3], 1998[W] Country: United States of America[USA] Technical Specifications: CHALLENGE Version United States[CHA]
8	AP8150107	Hex socket screw M8x30*	1	year: 2003[3], 1998[W] Country: United States of America[USA] Technical Specifications: CHALLENGE Version United States[CHA]
9	AP8150277	Hex socket screw M8x50*	2	year: 2003[3], 1998[W] Country: United States of America[USA]

Assembly	FRAME
Code	28.54
Description	Saddel supp./Swing arm-Chall.Vers.
Revision	1



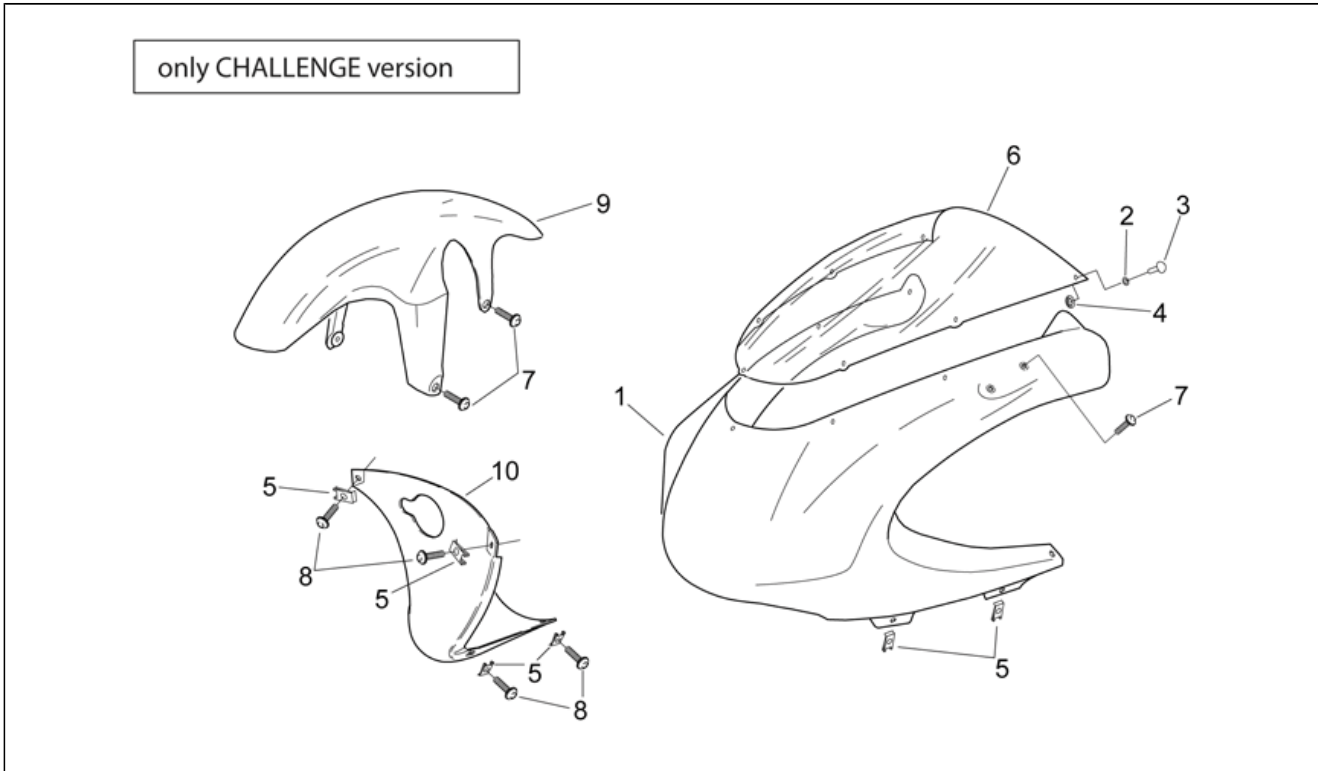
Pos.	Code	Description	Q.ty	Variants
				Technical Specifications: CHALLENGE Version United States[CHA]
10	AP8121291	Helicoil insert	1	year: 2003[3], 1998[W] Country: United States of America[USA] Technical Specifications: CHALLENGE Version United States[CHA]
11	AP8120311	Rubber spacer *	2	year: 2003[3], 1998[W] Country: United States of America[USA] Technical Specifications: CHALLENGE Version United States[CHA]
12	AP8102544	Threaded rivet M6	5	year: 2003[3], 1998[W] Country: United States of America[USA] Technical Specifications: CHALLENGE Version United States[CHA]
13	AP8121890	Rear stand bush	2	year: 2003[3], 1998[W] Country: United States of America[USA] Technical Specifications: CHALLENGE Version United States[CHA]
14	AP8152128	Hex socket screw M6x30*	2	year: 2003[3], 1998[W] Country: United States of America[USA] Technical Specifications: CHALLENGE Version United States[CHA]
15	AP8146205	Rear stand	1	year: 2003[3], 1998[W] Country: United States of America[USA] Technical Specifications: CHALLENGE Version United States[CHA]

Assembly	FRAME
Code	28.55
Description	Body I - Challenge Version
Revision	1



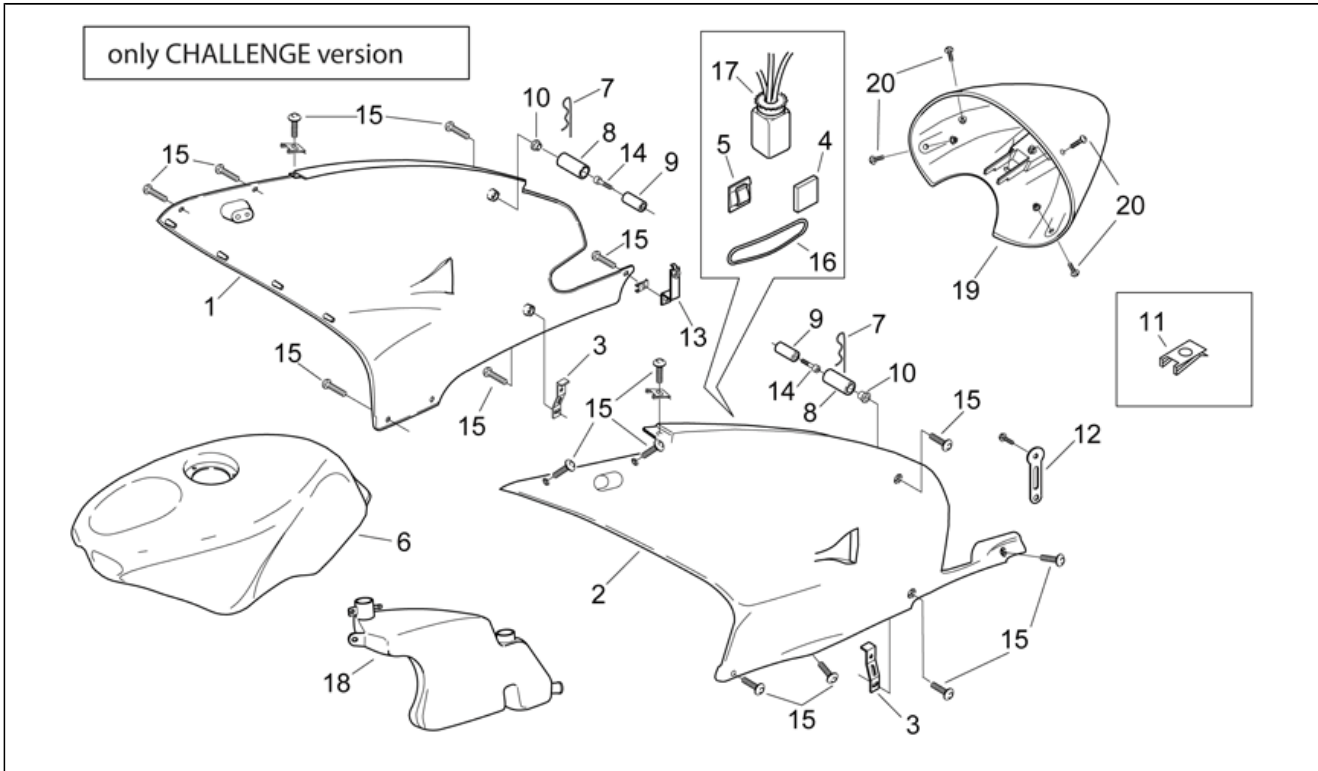
Pos.	Code	Description	Q.ty	Variants
1	AP8139673	Front fairing, black	1	year: 2003[3], 1998[W] Country: United States of America[USA] Technical Specifications: CHALLENGE Version United States[CHA]
2	AP8120965	O-ring 2018	7	year: 2003[3], 1998[W] Country: United States of America[USA] Technical Specifications: CHALLENGE Version United States[CHA]
3	AP8144109	Fixing pin	7	year: 2003[3], 1998[W] Country: United States of America[USA] Technical Specifications: CHALLENGE Version United States[CHA]
4	AP8150450	Washer for shafts D5	7	year: 2003[3], 1998[W] Country: United States of America[USA] Technical Specifications: CHALLENGE Version United States[CHA]
5	AP8102375	Clip M5	10	year: 2003[3], 1998[W] Country: United States of America[USA] Technical Specifications: CHALLENGE Version United States[CHA]
6	AP8139672	Windshield	1	year: 2003[3], 1998[W] Country: United States of America[USA] Technical Specifications: CHALLENGE Version United States[CHA]
7	AP8152298	Screw w/ flange M5x16	8	year: 2003[3], 1998[W] Country: United States of America[USA] Technical Specifications: CHALLENGE Version United States[CHA]
8	AP8152302	Screw w/ flange M5x12	6	year: 2003[3], 1998[W] Country: United States of America[USA] Technical Specifications: CHALLENGE Version United States[CHA]
9	AP8126662	Front mudguard, Ap. black	1	year: 2003[3], 1998[W] Country: United States of America[USA]

Assembly	FRAME
Code	28.55
Description	Body I - Challenge Version
Revision	1



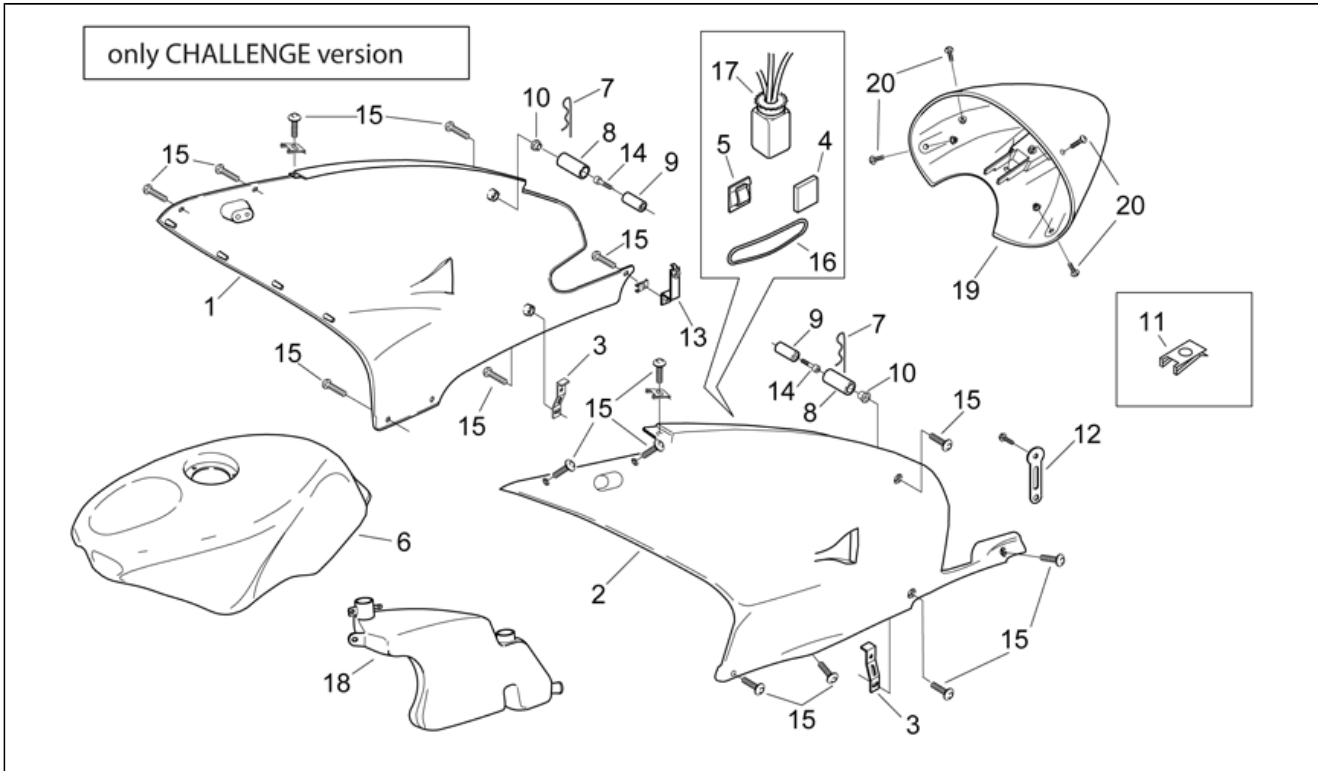
Pos.	Code	Description	Q.ty	Variants
				Technical Specifications: CHALLENGE Version United States[CHA]
10	AP8139671	Pillar	1	year: 2003[3], 1998[W] Country: United States of America[USA] Technical Specifications: CHALLENGE Version United States[CHA]

Assembly	FRAME
Code	28.56
Description	Body II - Challenge Version
Revision	1



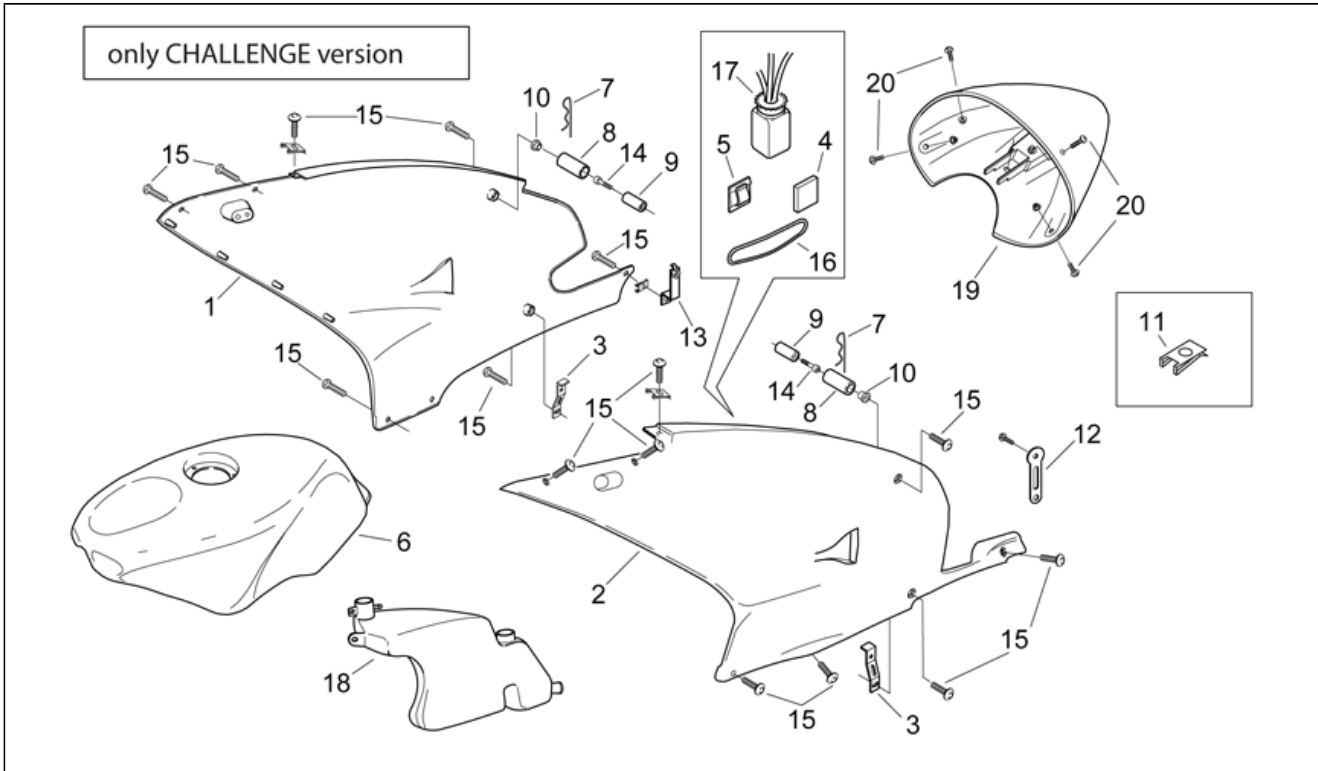
Pos.	Code	Description	Q.ty	Variants
1	AP8139674	RH side panel, black	1	year: 2003[3], 1998[W] Country: United States of America[USA] Technical Specifications: CHALLENGE Version United States[CHA]
2	AP8139675	LH side panel, black	1	year: 2003[3], 1998[W] Country: United States of America[USA] Technical Specifications: CHALLENGE Version United States[CHA]
3	AP8134332	Lower plate fairing	2	year: 2003[3], 1998[W] Country: United States of America[USA] Technical Specifications: CHALLENGE Version United States[CHA]
4	AP8117041	Adhesive sponge 6x30	1	year: 2003[3], 1998[W] Country: United States of America[USA] Technical Specifications: CHALLENGE Version United States[CHA]
5	AP8120708	Cable-guide	2	year: 2003[3], 1998[W] Country: United States of America[USA] Technical Specifications: CHALLENGE Version United States[CHA]
6	AP8139380	Fuel tank, Ap. black	1	year: 2003[3], 1998[W] Country: United States of America[USA] Technical Specifications: CHALLENGE Version United States[CHA]
7	AP8201287	Split pin	2	year: 2003[3], 1998[W] Country: United States of America[USA] Technical Specifications: CHALLENGE Version United States[CHA]
8	AP8120699	Lat. frng fix. pipe	2	year: 2003[3], 1998[W] Country: United States of America[USA] Technical Specifications: CHALLENGE Version United States[CHA]
9	AP8121867	Special bush *	2	year: 2003[3], 1998[W] Country: United States of America[USA]

Assembly	FRAME
Code	28.56
Description	Body II - Challenge Version
Revision	1



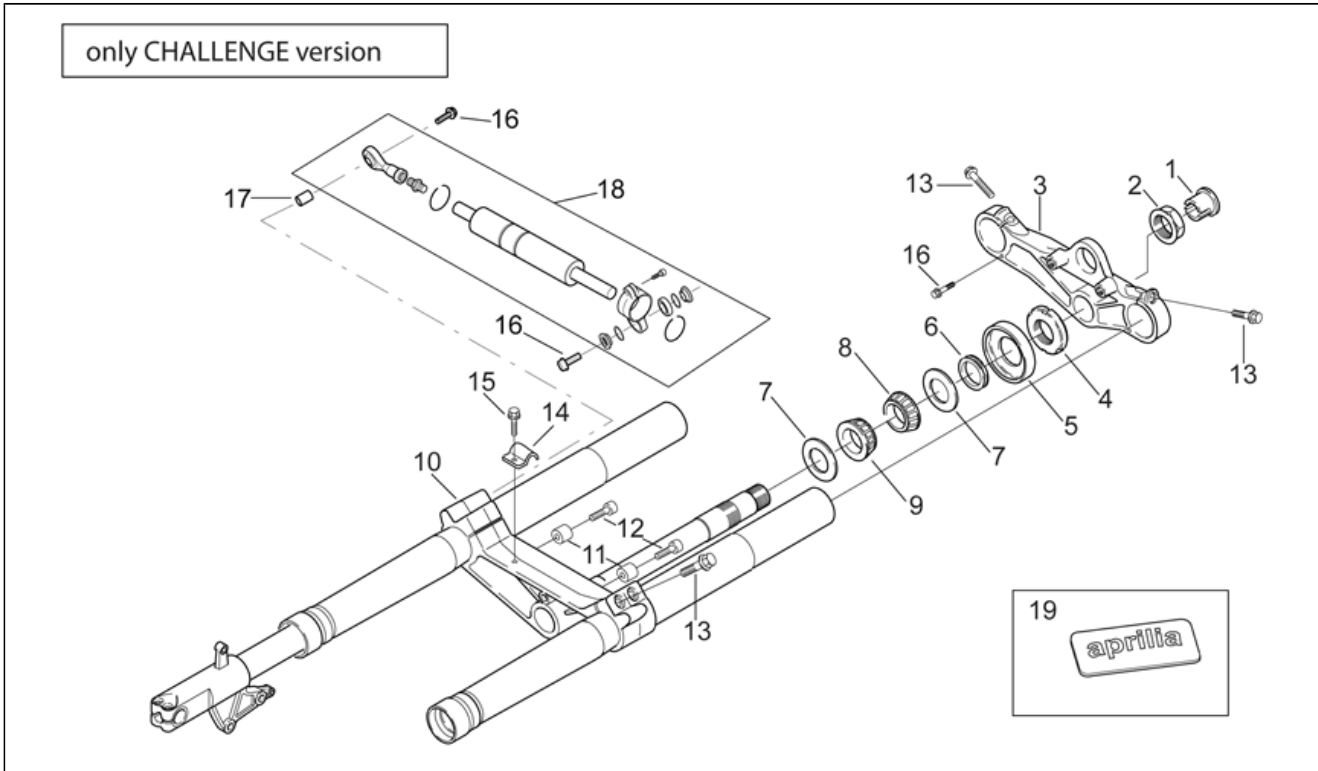
Pos.	Code	Description	Q.ty	Variants
				Technical Specifications: CHALLENGE Version United States[CHA]
10	AP8120531	Rubber w/ insert *	2	year: 2003[3], 1998[W] Country: United States of America[USA] Technical Specifications: CHALLENGE Version United States[CHA]
11	AP8102375	Clip M5	5	year: 2003[3], 1998[W] Country: United States of America[USA] Technical Specifications: CHALLENGE Version United States[CHA]
12	AP8134463	Upper LH fair.supp. plate	1	year: 2003[3], 1998[W] Country: United States of America[USA] Technical Specifications: CHALLENGE Version United States[CHA]
13	AP8134462	Upper RH fair.supp. plate	1	year: 2003[3], 1998[W] Country: United States of America[USA] Technical Specifications: CHALLENGE Version United States[CHA]
14	AP8150165	Hex socket screw M6x25*	2	year: 2003[3], 1998[W] Country: United States of America[USA] Technical Specifications: CHALLENGE Version United States[CHA]
15	AP8152298	Screw w/ flange M5x16	16	year: 2003[3], 1998[W] Country: United States of America[USA] Technical Specifications: CHALLENGE Version United States[CHA]
16	AP8120951	Battery fixing snap	1	year: 2003[3], 1998[W] Country: United States of America[USA] Technical Specifications: CHALLENGE Version United States[CHA]
17	AP8102963	Breather tank	1	year: 2003[3], 1998[W] Country: United States of America[USA] Technical Specifications: CHALLENGE Version United States[CHA]
18	AP8139670	Oil tank, white	1	year: 2003[3], 1998[W]

Assembly	FRAME
Code	28.56
Description	Body II - Challenge Version
Revision	1



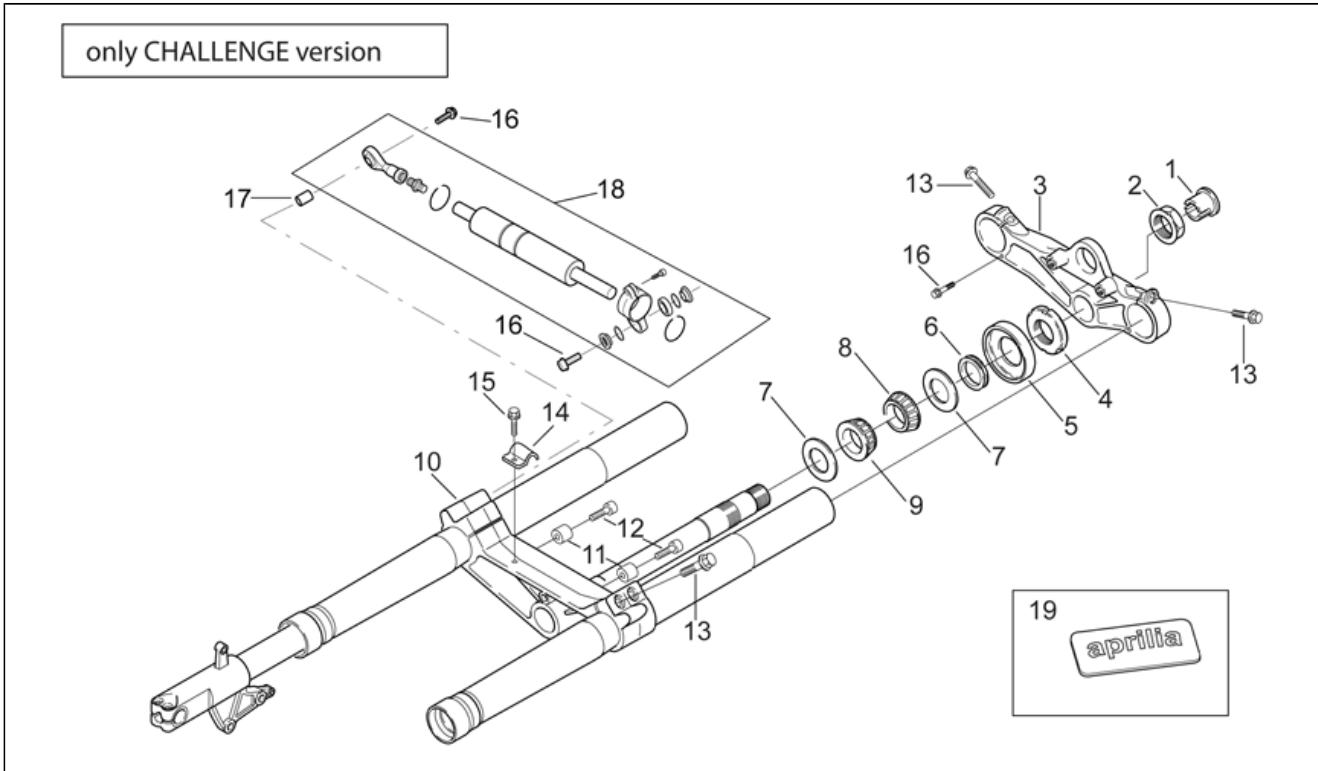
Pos.	Code	Description	Q.ty	Variants
				Country: United States of America[USA] Technical Specifications: CHALLENGE Version United States[CHA]
19	AP8139676	Rear fairing, black	1	year: 2003[3], 1998[W] Country: United States of America[USA] Technical Specifications: CHALLENGE Version United States[CHA]
20	AP8152302	Screw w/ flange M5x12	4	year: 2003[3], 1998[W] Country: United States of America[USA] Technical Specifications: CHALLENGE Version United States[CHA]

Assembly	FRAME
Code	28.57
Description	Front fork - Challenge Version
Revision	1



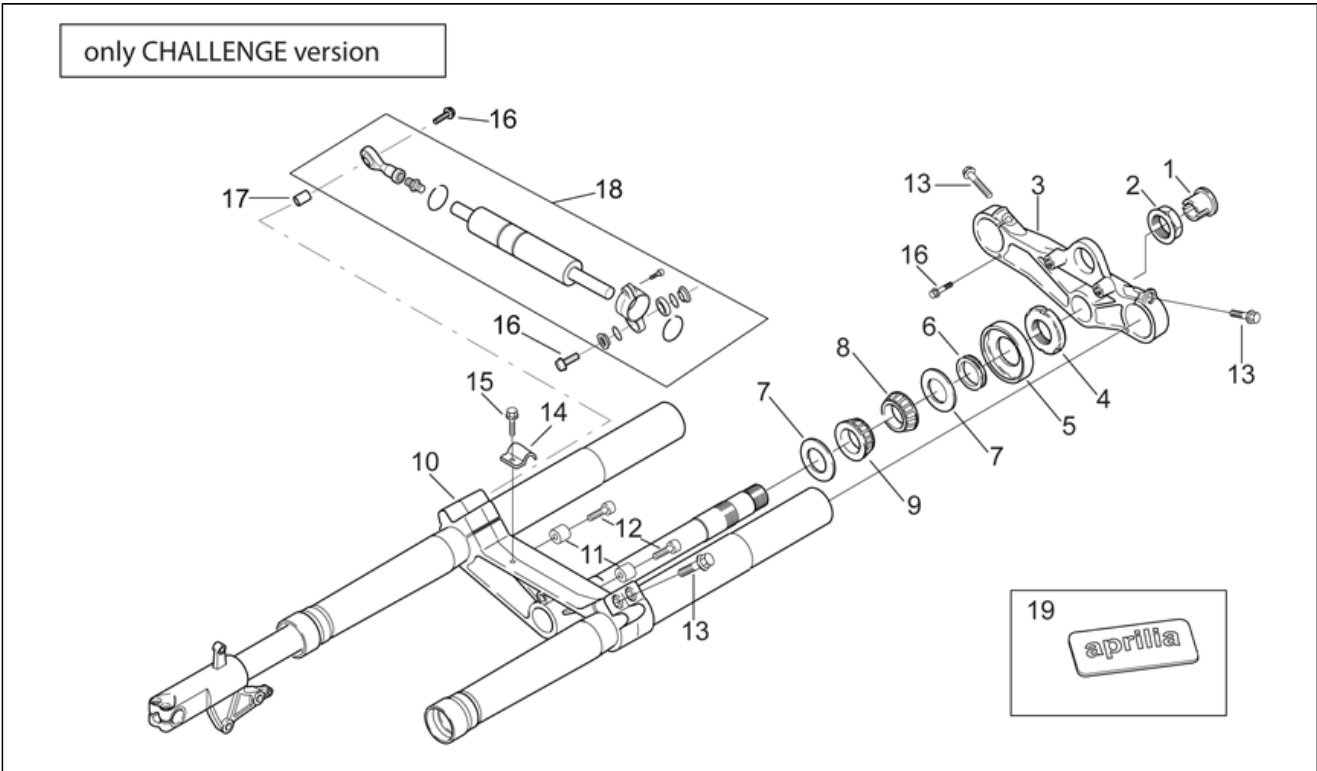
Pos.	Code	Description	Q.ty	Variants
1	AP8138403	Plug cover	1	year: 2003[3], 1998[W] Country: United States of America[USA] Technical Specifications: CHALLENGE Version United States[CHA]
2	AP8123243	Plug	1	year: 2003[3], 1998[W] Country: United States of America[USA] Technical Specifications: CHALLENGE Version United States[CHA]
3	AP8123727	Fork upper plate	1	year: 2003[3], 1998[W] Country: United States of America[USA] Technical Specifications: CHALLENGE Version United States[CHA]
4	AP8123734	Ring nut	1	year: 2003[3], 1998[W] Country: United States of America[USA] Technical Specifications: CHALLENGE Version United States[CHA]
5	AP8120542	Dust cover	1	year: 2003[3], 1998[W] Country: United States of America[USA] Technical Specifications: CHALLENGE Version United States[CHA]
6	AP8101272	Spacer	1	year: 2003[3], 1998[W] Country: United States of America[USA] Technical Specifications: CHALLENGE Version United States[CHA]
7	AP8101106	Gasket ring	2	year: 2003[3], 1998[W] Country: United States of America[USA] Technical Specifications: CHALLENGE Version United States[CHA]
8	AP8110010	Tap.roller bearing	1	year: 2003[3], 1998[W] Country: United States of America[USA] Technical Specifications: CHALLENGE Version United States[CHA]
9	AP8110024	Roller bearing	1	year: 2003[3], 1998[W] Country: United States of America[USA]

Assembly	FRAME
Code	28.57
Description	Front fork - Challenge Version
Revision	1



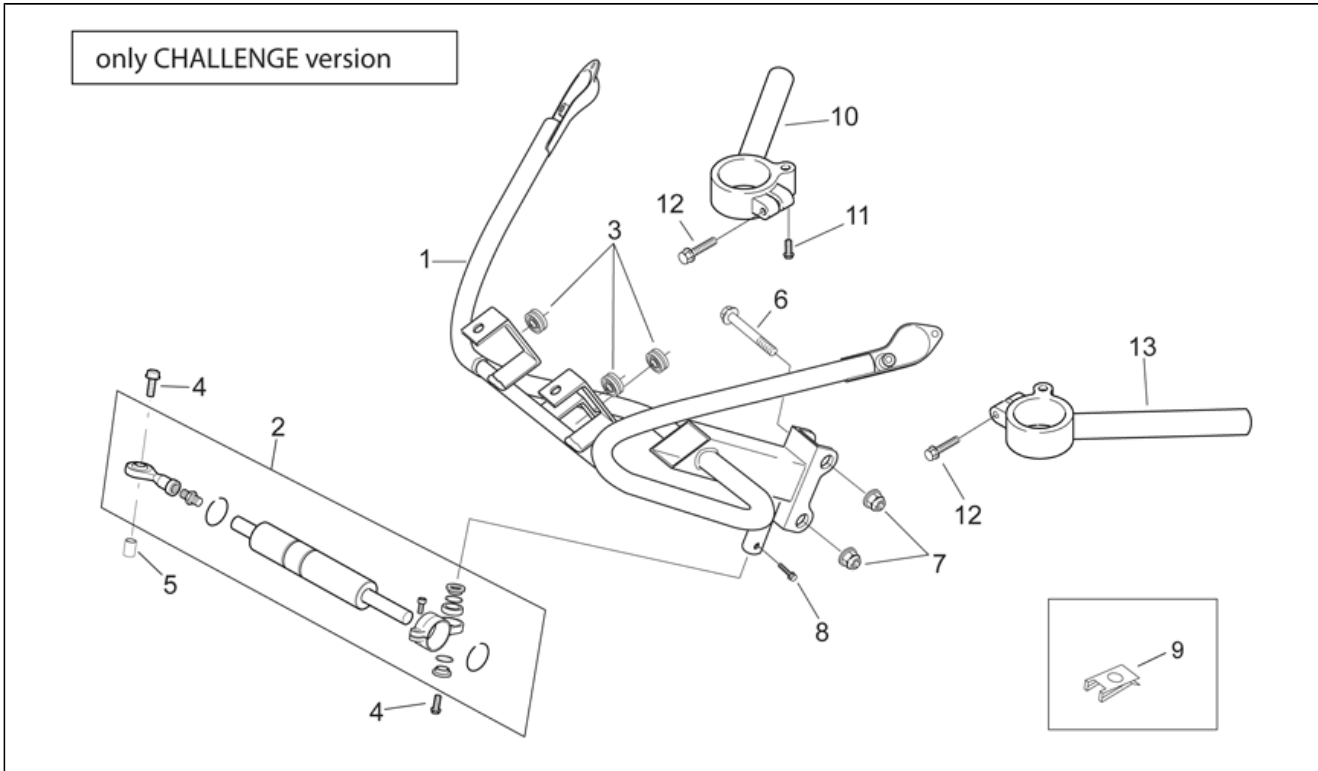
Pos.	Code	Description	Q.ty	Variants
				Technical Specifications: CHALLENGE Version United States[CHA]
10	AP8123726	Stem base	1	year: 2003[3], 1998[W] Country: United States of America[USA] Technical Specifications: CHALLENGE Version United States[CHA]
11	AP8121338	Steering lock bush	2	year: 2003[3], 1998[W] Country: United States of America[USA] Technical Specifications: CHALLENGE Version United States[CHA]
12	AP8150211	Hex socket screw M8x16*	2	year: 2003[3], 1998[W] Country: United States of America[USA] Technical Specifications: CHALLENGE Version United States[CHA]
13	AP8152289	Screw w/ flange M8x35*	6	year: 2003[3], 1998[W] Country: United States of America[USA] Technical Specifications: CHALLENGE Version United States[CHA]
14	AP8134438	Brake hose hanger	1	year: 2003[3], 1998[W] Country: United States of America[USA] Technical Specifications: CHALLENGE Version United States[CHA]
15	AP8152272	Screw w/ flange M5x12	1	year: 2003[3], 1998[W] Country: United States of America[USA] Technical Specifications: CHALLENGE Version United States[CHA]
16	AP8152281	Screw w/ flange M6X30	3	year: 2003[3], 1998[W] Country: United States of America[USA] Technical Specifications: CHALLENGE Version United States[CHA]
17	AP8121041	Spacer *	1	year: 2003[3], 1998[W] Country: United States of America[USA] Technical Specifications: CHALLENGE Version United States[CHA]
18	AP8705009	Steering shock absorber	1	year: 2003[3], 1998[W]

Assembly	FRAME
Code	28.57
Description	Front fork - Challenge Version
Revision	1



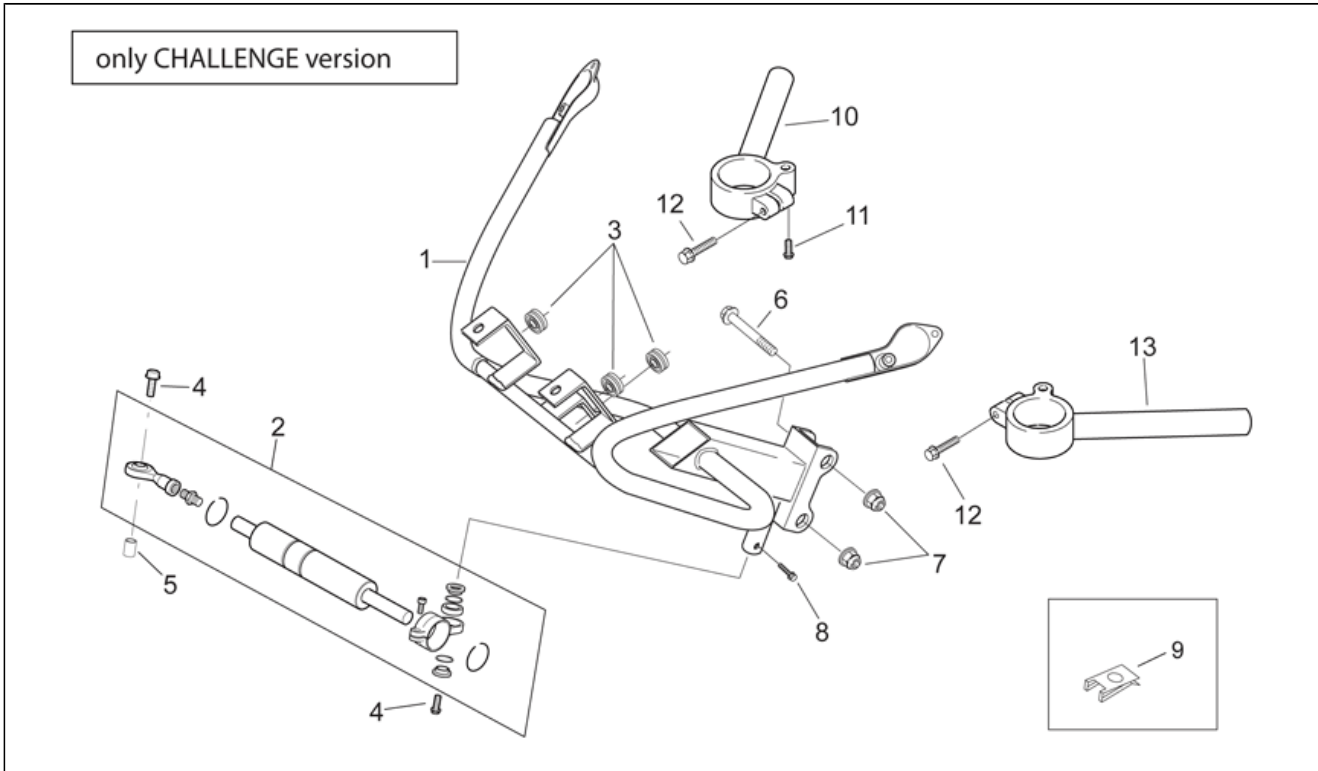
Pos.	Code	Description	Q.ty	Variants
				Country: United States of America[USA] Technical Specifications: CHALLENGE Version United States[CHA]
19	AP8157770	"Aprilia" dataplate	1	year: 2003[3], 1998[W] Country: United States of America[USA] Technical Specifications: CHALLENGE Version United States[CHA]

Assembly	FRAME
Code	28.58
Description	Fairing bow - Challenge Vers.
Revision	1



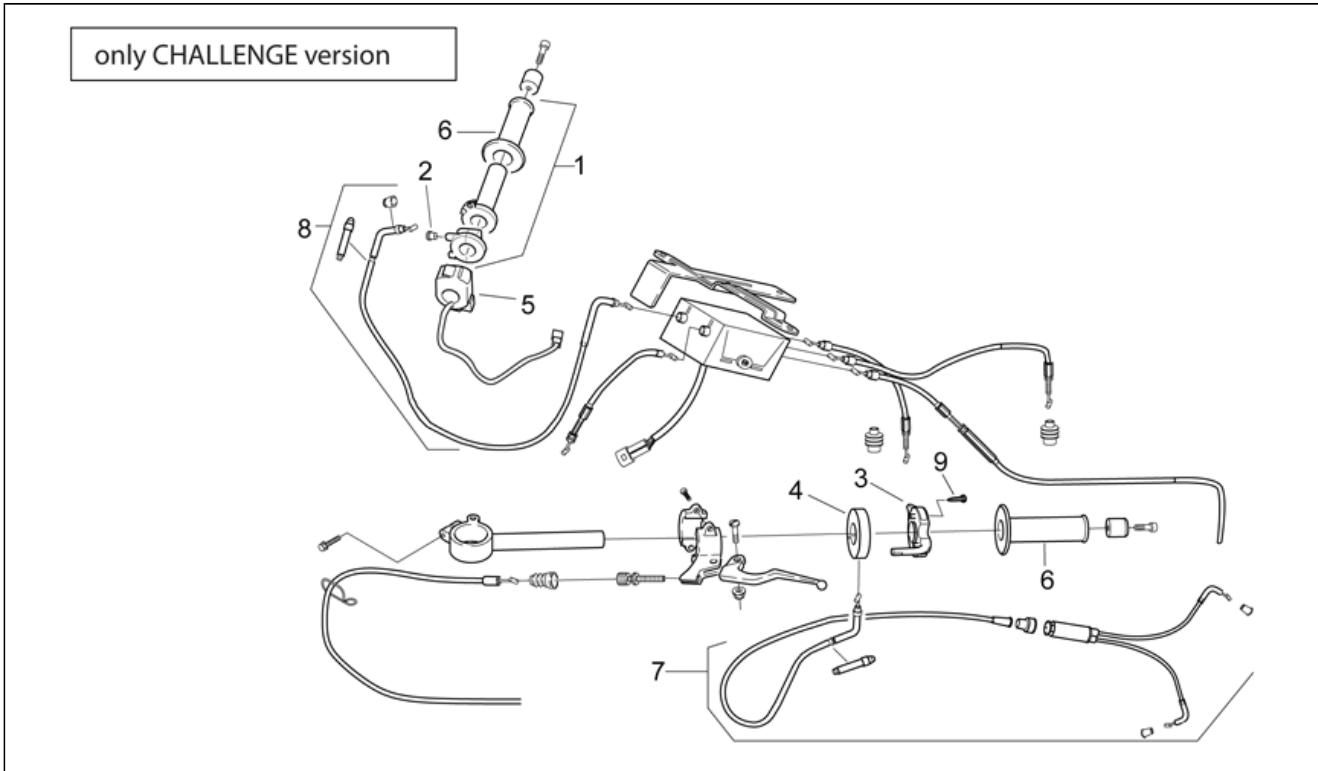
Pos.	Code	Description	Q.ty	Variants
1	AP8146203	Fairing support bow	1	year: 2003[3], 1998[W] Country: United States of America[USA] Technical Specifications: CHALLENGE Version United States[CHA]
2	AP8705009	Steering shock absorber	1	year: 2003[3], 1998[W] Country: United States of America[USA] Technical Specifications: CHALLENGE Version United States[CHA]
3	AP8112599	Rubber spacer *	3	year: 2003[3], 1998[W] Country: United States of America[USA] Technical Specifications: CHALLENGE Version United States[CHA]
4	AP8152281	Screw w/ flange M6x30	2	year: 2003[3], 1998[W] Country: United States of America[USA] Technical Specifications: CHALLENGE Version United States[CHA]
5	AP8121041	Spacer *	1	year: 2003[3], 1998[W] Country: United States of America[USA] Technical Specifications: CHALLENGE Version United States[CHA]
6	AP8152284	Screw w/ flange M6x45*	2	year: 2003[3], 1998[W] Country: United States of America[USA] Technical Specifications: CHALLENGE Version United States[CHA]
7	AP8152299	Self-locking nut M6*	2	year: 2003[3], 1998[W] Country: United States of America[USA] Technical Specifications: CHALLENGE Version United States[CHA]
8	AP8152272	Screw w/ flange M5x12	1	year: 2003[3], 1998[W] Country: United States of America[USA] Technical Specifications: CHALLENGE Version United States[CHA]
9	AP8102375	Clip M5	2	year: 2003[3], 1998[W] Country: United States of America[USA]

Assembly	FRAME
Code	28.58
Description	Fairing bow - Challenge Vers.
Revision	1



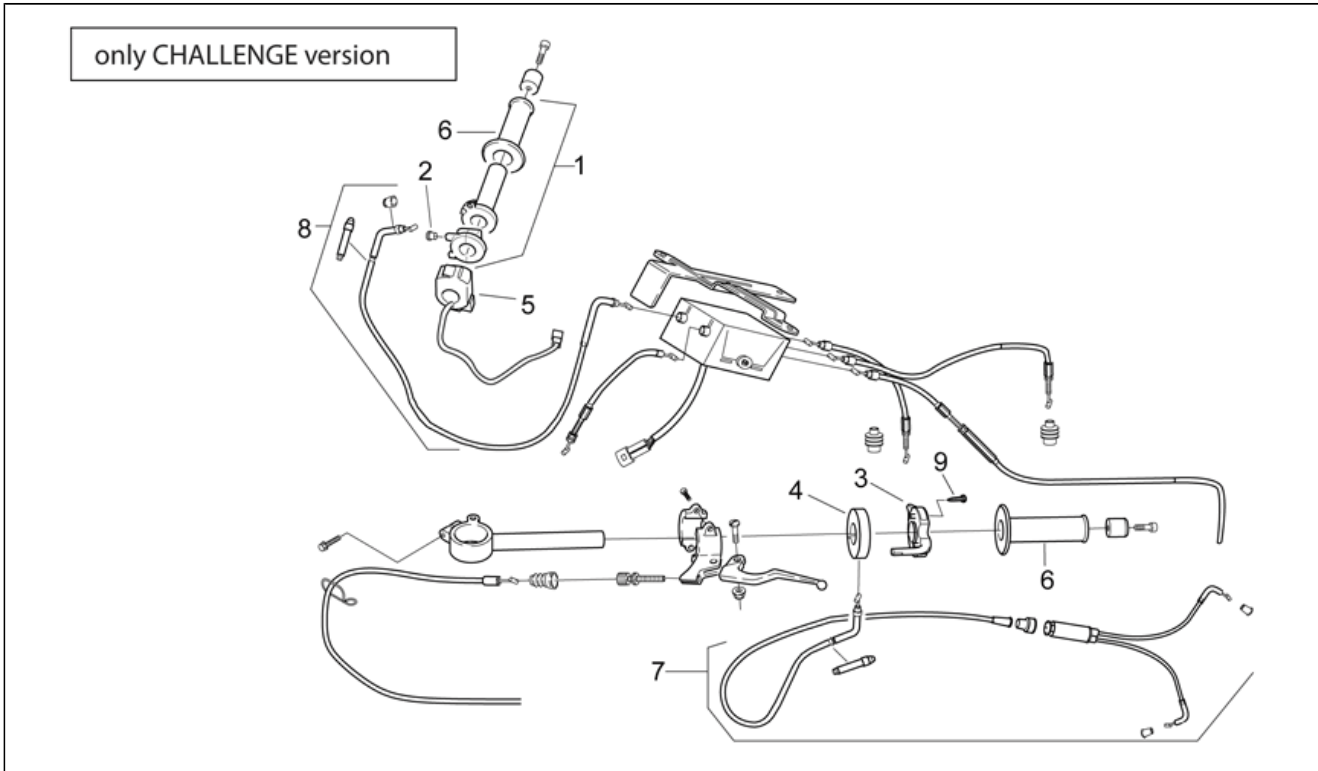
Pos.	Code	Description	Q.ty	Variants
				Technical Specifications: CHALLENGE Version United States[CHA]
10	AP8118515	Right half handlebar	1	year: 2003[3], 1998[W] Country: United States of America[USA] Technical Specifications: CHALLENGE Version United States[CHA]
11	AP8152281	Screw w/ flange M6X30	1	year: 2003[3], 1998[W] Country: United States of America[USA] Technical Specifications: CHALLENGE Version United States[CHA]
12	AP8152288	Screw w/ flange M8x30*	2	year: 2003[3], 1998[W] Country: United States of America[USA] Technical Specifications: CHALLENGE Version United States[CHA]
13	AP8118379	Left half handlebar	1	year: 2003[3], 1998[W] Country: United States of America[USA] Technical Specifications: CHALLENGE Version United States[CHA]

Assembly	FRAME
Code	28.59
Description	Controls - Challenge Version
Revision	1



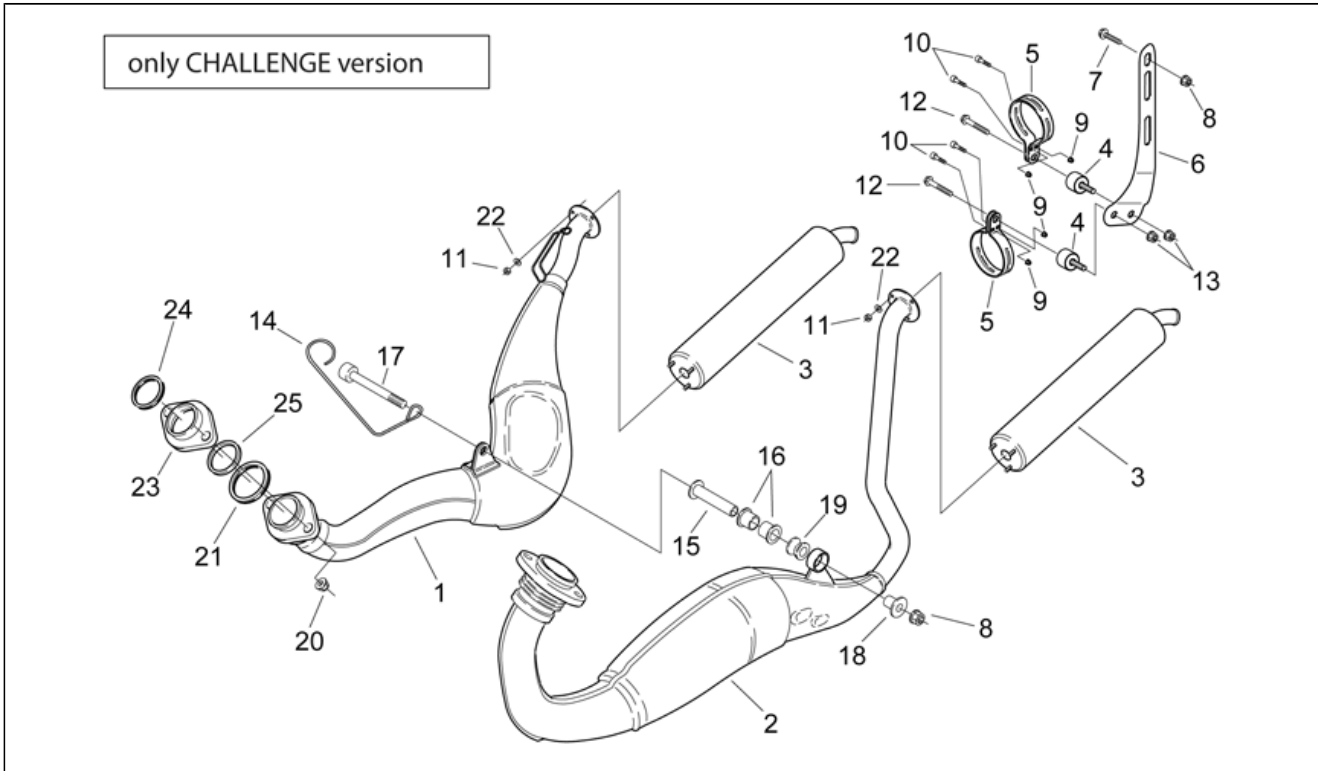
Pos.	Code	Description	Q.ty	Variants
1	AP8118437	Throttle+hand grip, black	1	year: 2003[3], 1998[W] Country: United States of America[USA] Technical Specifications:CHALLENGE Version United States[CHA]
2	AP8120895	Rear footrest rubber	1	year: 2003[3], 1998[W] Country: United States of America[USA] Technical Specifications:CHALLENGE Version United States[CHA]
3	AP8118470	Choke control	1	year: 2003[3], 1998[W] Country: United States of America[USA] Technical Specifications:CHALLENGE Version United States[CHA]
4	AP8118510	Starter command support	1	year: 2003[3], 1998[W] Country: United States of America[USA] Technical Specifications:CHALLENGE Version United States[CHA]
5	AP8124599	Engine stop-start device	1	year: 2003[3], 1998[W] Country: United States of America[USA] Technical Specifications:CHALLENGE Version United States[CHA]
6	AP8118501	Handgrip pair, black	1	year: 2003[3], 1998[W] Country: United States of America[USA] Technical Specifications:CHALLENGE Version United States[CHA]
7	AP8114384	Choke cable	1	year: 2003[3], 1998[W] Country: United States of America[USA] Technical Specifications:CHALLENGE Version United States[CHA]
8	AP8114383	Throttle cable	1	year: 2003[3], 1998[W] Country: United States of America[USA] Technical Specifications:CHALLENGE Version United States[CHA]
9	AP8150472	TSPEI inox screw M3x20	2	year: 2003[3], 1998[W] Country: United States of America[USA]

Assembly	FRAME
Code	28.59
Description	Controls - Challenge Version
Revision	1



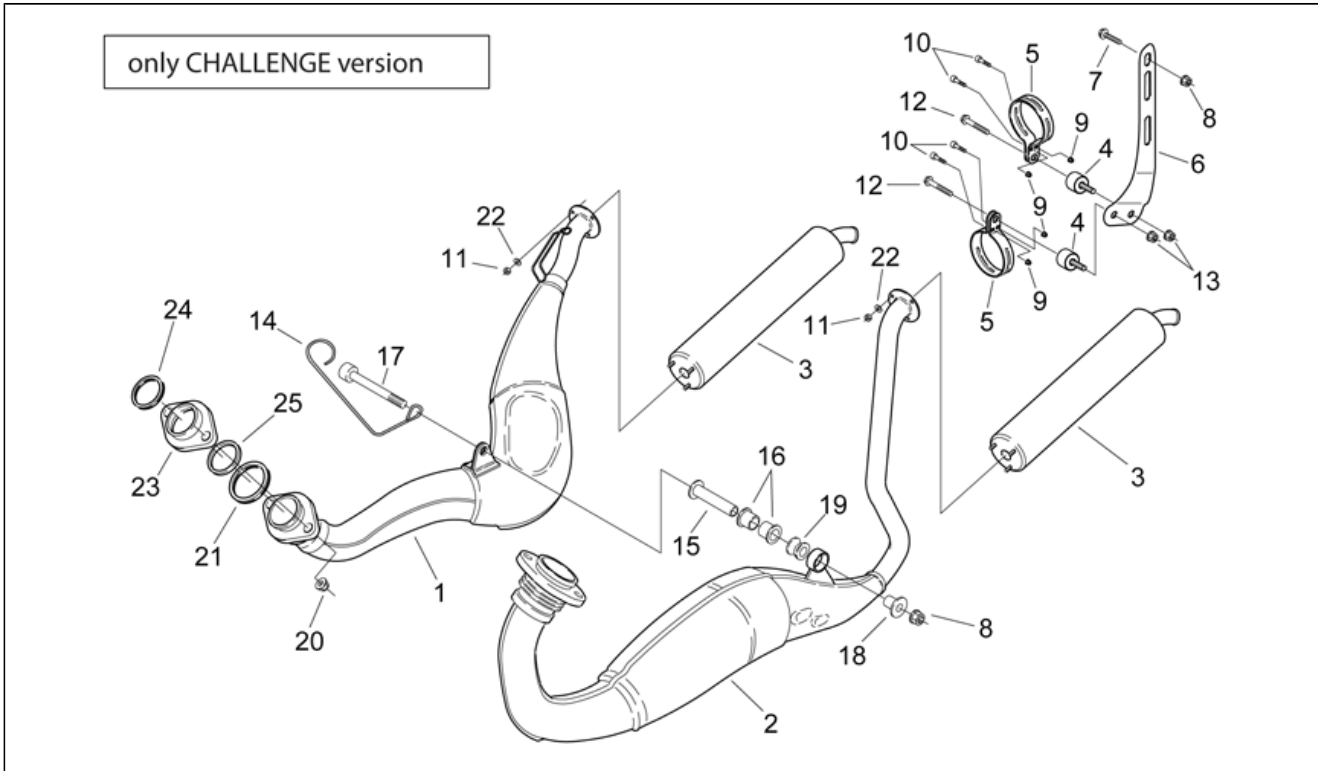
Pos.	Code	Description	Q.ty	Variants
				Technical Specifications:CHALLENGE Version United States[CHA]

Assembly	FRAME
Code	28.60
Description	Exhaust unit - Challenge Version
Revision	1



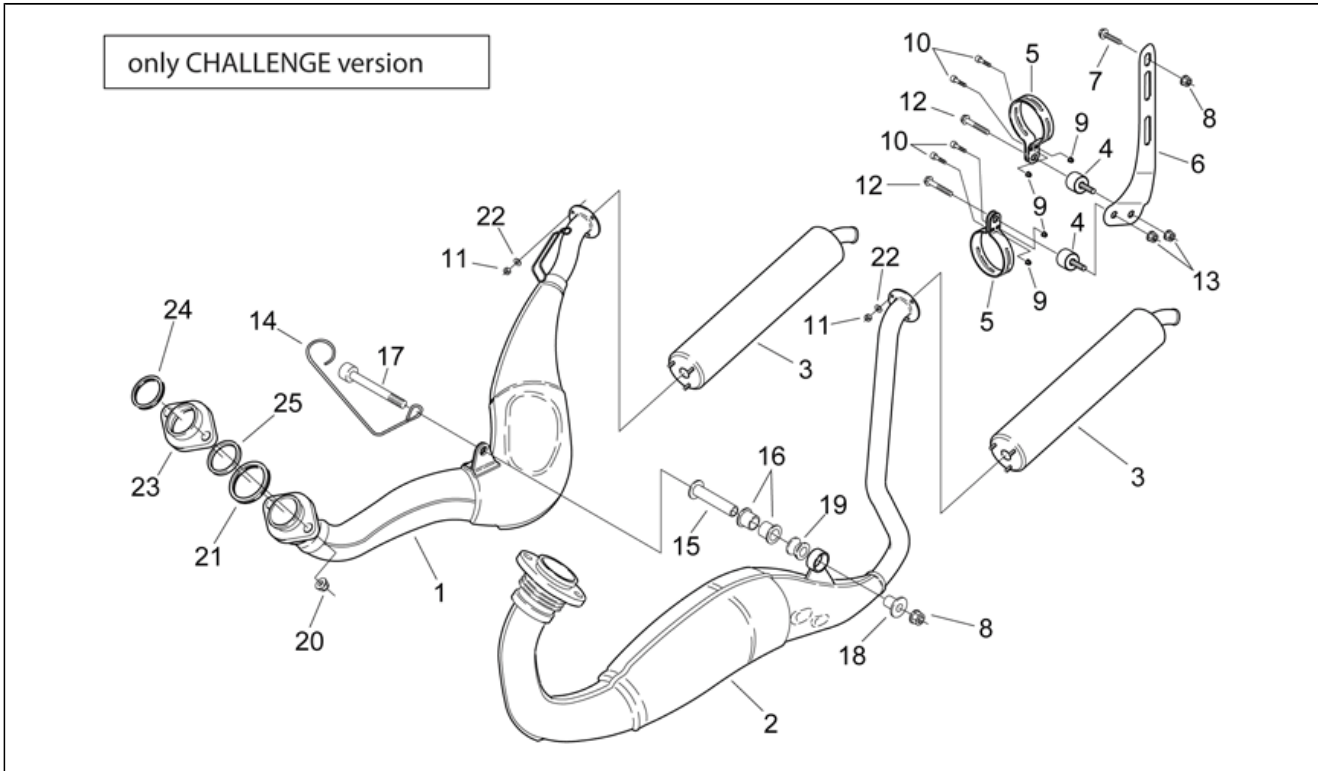
Pos.	Code	Description	Q.ty	Variants
1	AP8119502	RH exhaust pipe, black	1	year: 2003[3], 1998[W] Country: United States of America[USA] Technical Specifications: CHALLENGE Version United States[CHA]
2	AP8119503	LH exhaust pipe, black	1	year: 2003[3], 1998[W] Country: United States of America[USA] Technical Specifications: CHALLENGE Version United States[CHA]
3	AP8119504	Silencer	2	year: 2003[3], 1998[W] Country: United States of America[USA] Technical Specifications: CHALLENGE Version United States[CHA]
4	AP8120335	Silent-block	2	year: 2003[3], 1998[W] Country: United States of America[USA] Technical Specifications: CHALLENGE Version United States[CHA]
5	AP8119505	Silencer clip	2	year: 2003[3], 1998[W] Country: United States of America[USA] Technical Specifications: CHALLENGE Version United States[CHA]
6	AP8134538	Silencer supp. plate	1	year: 2003[3], 1998[W] Country: United States of America[USA] Technical Specifications: CHALLENGE Version United States[CHA]
7	AP8152286	Screw w/ flange M8x20	1	year: 2003[3], 1998[W] Country: United States of America[USA] Technical Specifications: CHALLENGE Version United States[CHA]
8	AP8152300	Self-locking nut M8*	1	year: 2003[3], 1998[W] Country: United States of America[USA] Technical Specifications: CHALLENGE Version United States[CHA]
9	AP8150204	Nut M4	4	year: 2003[3], 1998[W] Country: United States of America[USA]

Assembly	FRAME
Code	28.60
Description	Exhaust unit - Challenge Version
Revision	1



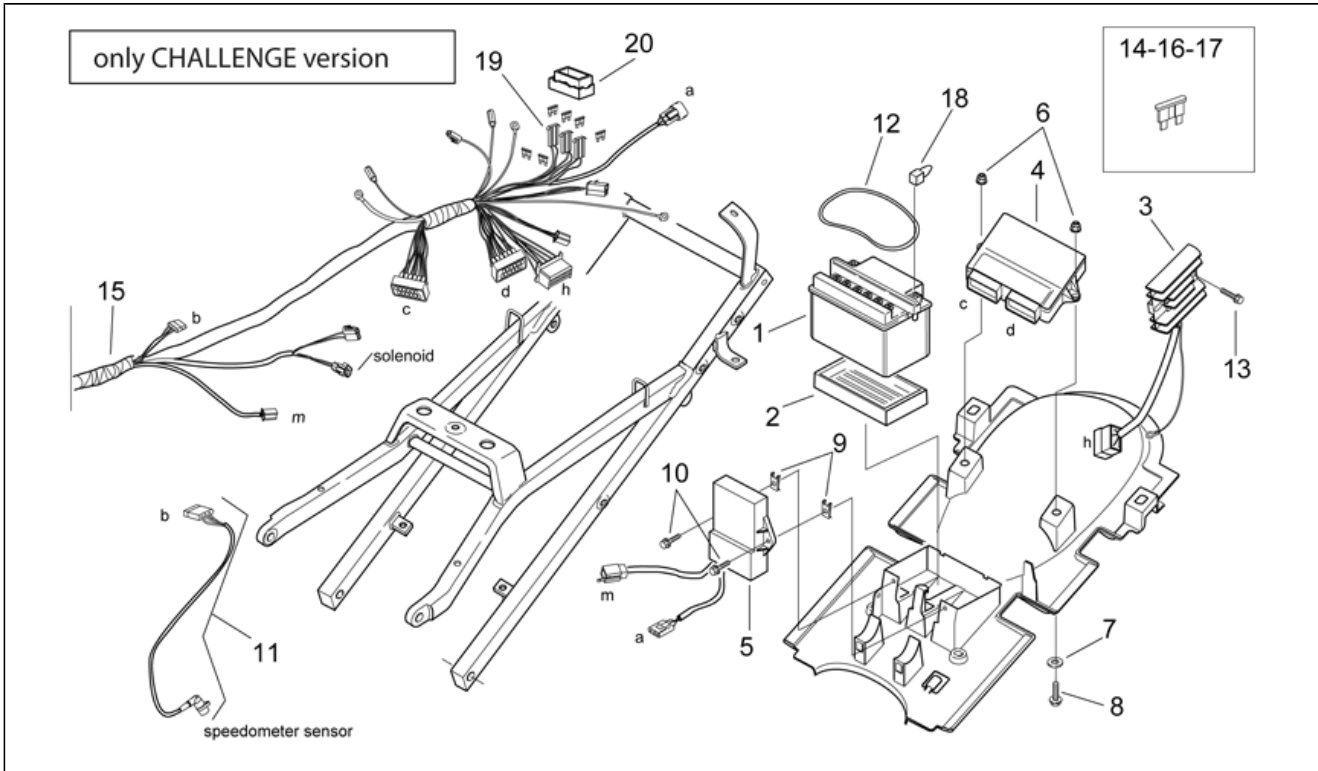
Pos.	Code	Description	Q.ty	Variants
				Technical Specifications: CHALLENGE Version United States[CHA]
10	AP8152043	Hex socket screw M4x10	4	year: 2003[3], 1998[W] Country: United States of America[USA] Technical Specifications: CHALLENGE Version United States[CHA]
11	AP8150333	Serpress nut M6*	6	year: 2003[3], 1998[W] Country: United States of America[USA] Technical Specifications: CHALLENGE Version United States[CHA]
12	AP8152277	Screw w/ flange M6x12*	2	year: 2003[3], 1998[W] Country: United States of America[USA] Technical Specifications: CHALLENGE Version United States[CHA]
13	AP8152299	Self-locking nut M6*	2	year: 2003[3], 1998[W] Country: United States of America[USA] Technical Specifications: CHALLENGE Version United States[CHA]
14	AP8121963	Breather pipe cable guide	1	year: 2003[3], 1998[W] Country: United States of America[USA] Technical Specifications: CHALLENGE Version United States[CHA]
15	AP8134334	Exhaust pipe support	1	year: 2003[3], 1998[W] Country: United States of America[USA] Technical Specifications: CHALLENGE Version United States[CHA]
16	AP8120947	Rubber exhaust	2	year: 2003[3], 1998[W] Country: United States of America[USA] Technical Specifications: CHALLENGE Version United States[CHA]
17	AP8150388	Hex socket screw M8x100*	1	year: 2003[3], 1998[W] Country: United States of America[USA] Technical Specifications: CHALLENGE Version United States[CHA]
18	AP8221056	T bush *	1	year: 2003[3], 1998[W]

Assembly	FRAME
Code	28.60
Description	Exhaust unit - Challenge Version
Revision	1



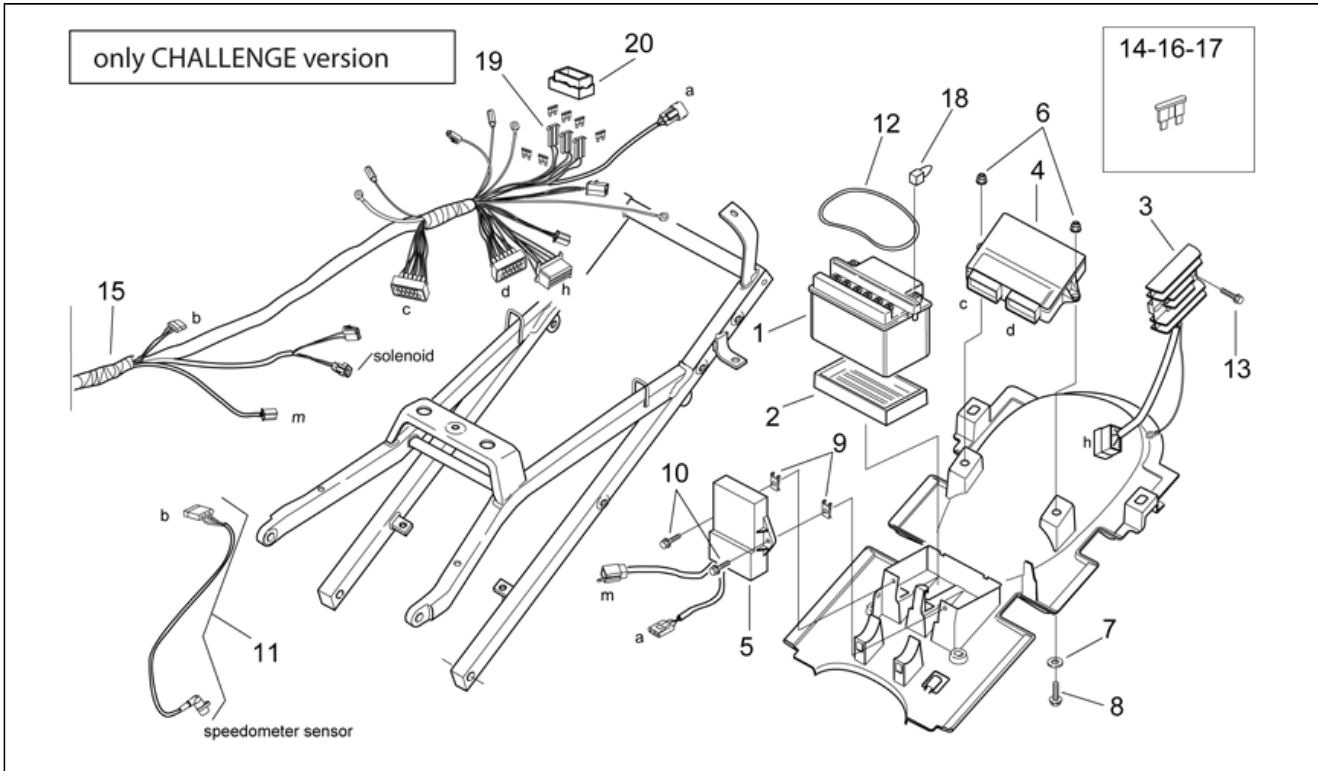
Pos.	Code	Description	Q.ty	Variants
				Country: United States of America[USA] Technical Specifications: CHALLENGE Version United States[CHA]
19	AP8120948	Rubber exhaust	1	year: 2003[3], 1998[W] Country: United States of America[USA] Technical Specifications: CHALLENGE Version United States[CHA]
20	AP8150334	Nut	4	year: 2003[3], 1998[W] Country: United States of America[USA] Technical Specifications: CHALLENGE Version United States[CHA]
21	AP8119356	Exhaust pipe flange gasket	2	year: 2003[3], 1998[W] Country: United States of America[USA] Technical Specifications: CHALLENGE Version United States[CHA]
22	AP8150178	Washer 6,4x12,5*	6	year: 2003[3], 1998[W] Country: United States of America[USA] Technical Specifications: CHALLENGE Version United States[CHA]
23	AP8106295	Exhaust flange	2	year: 2003[3], 1998[W] Country: United States of America[USA] Technical Specifications: CHALLENGE Version United States[CHA]
24	AP8119357	Exhaust pipe flange gasket	2	year: 2003[3], 1998[W] Country: United States of America[USA] Technical Specifications: CHALLENGE Version United States[CHA]
25	AP8119358	Exhaust pipe flange gasket	2	year: 2003[3], 1998[W] Country: United States of America[USA] Technical Specifications: CHALLENGE Version United States[CHA]

Assembly	FRAME
Code	28.61
Description	Electrical system - Challenge Vers.
Revision	1



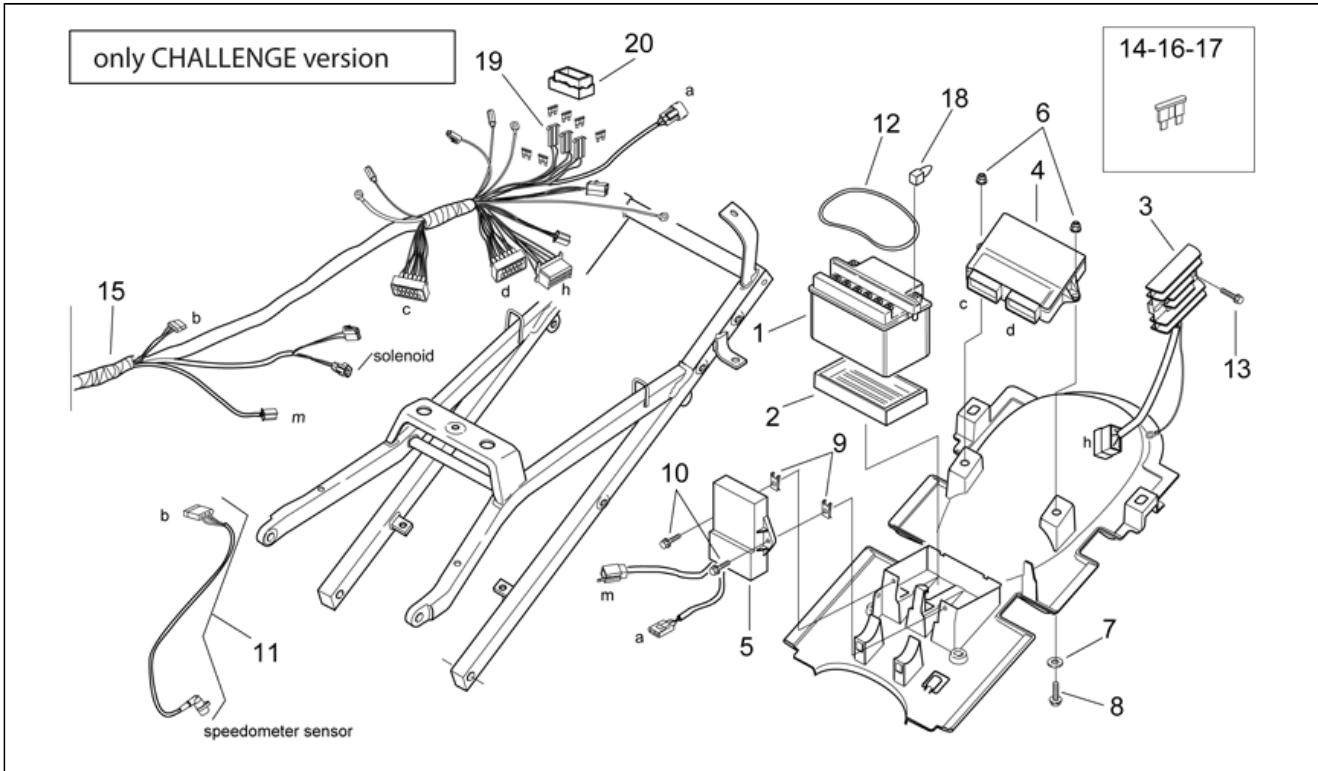
Pos.	Code	Description	Q.ty	Variants
1	AP8212110	Battery 12V-4AH	1	year: 2003[3], 1998[W] Country: United States of America[USA] Technical Specifications: CHALLENGE Version United States[CHA]
2	AP8230535	Battery holder	1	year: 2003[3], 1998[W] Country: United States of America[USA] Technical Specifications: CHALLENGE Version United States[CHA]
3	AP8112906	Voltage regulator	1	year: 2003[3], 1998[W] Country: United States of America[USA] Technical Specifications: CHALLENGE Version United States[CHA]
4	AP8124349	ECU	1	year: 2003[3], 1998[W] Country: United States of America[USA] Technical Specifications: CHALLENGE Version United States[CHA]
5	AP8124050	CDI unit assy	1	year: 2003[3], 1998[W] Country: United States of America[USA] Technical Specifications: CHALLENGE Version United States[CHA]
6	AP8152299	Self-locking nut M6*	2	year: 2003[3], 1998[W] Country: United States of America[USA] Technical Specifications: CHALLENGE Version United States[CHA]
7	AP8150015	Washer 6,6x18x1,6*	2	year: 2003[3], 1998[W] Country: United States of America[USA] Technical Specifications: CHALLENGE Version United States[CHA]
8	AP8152279	Screw w/ flange M6x20	2	year: 2003[3], 1998[W] Country: United States of America[USA] Technical Specifications: CHALLENGE Version United States[CHA]
9	AP8102376	Clip M6	2	year: 2003[3], 1998[W] Country: United States of America[USA]

Assembly	FRAME
Code	28.61
Description	Electrical system - Challenge Vers.
Revision	1



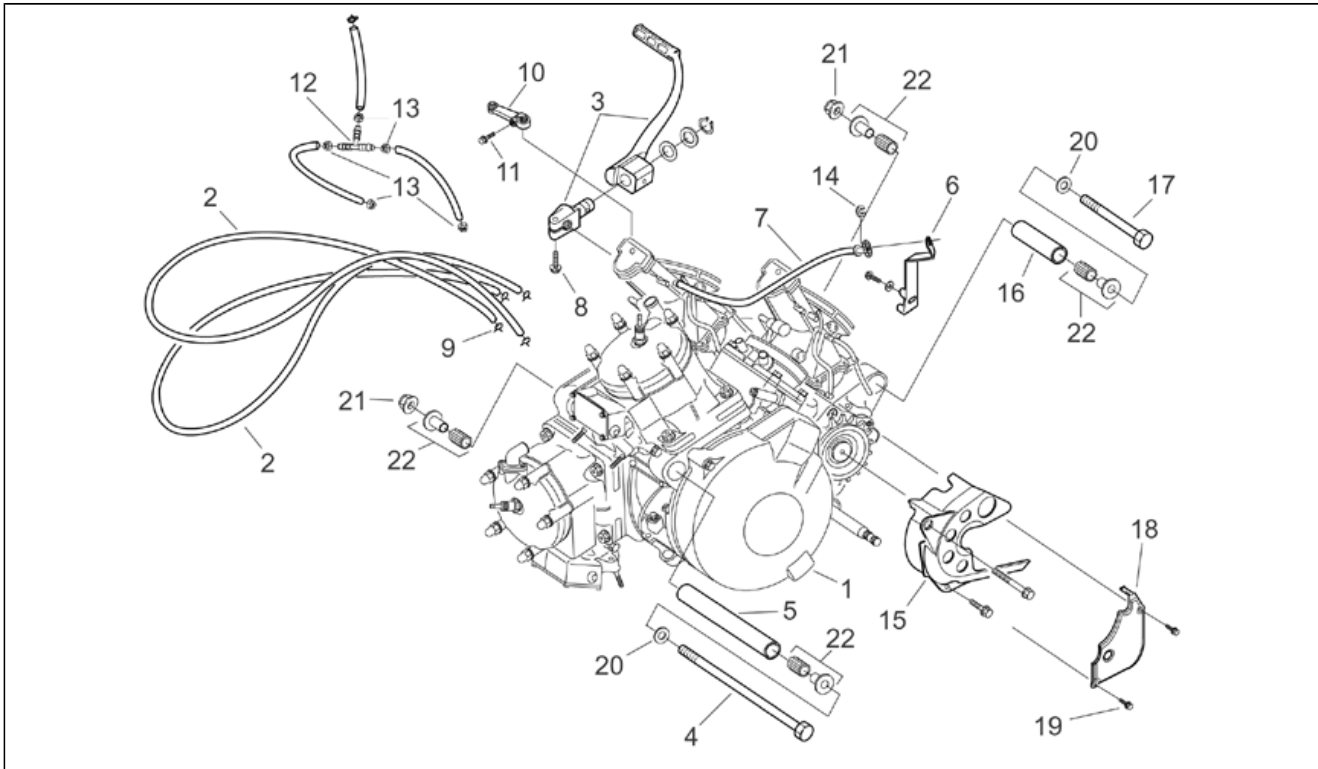
Pos.	Code	Description	Q.ty	Variants
				Technical Specifications: CHALLENGE Version United States[CHA]
10	AP8152278	Screw w/ flange M6x16*	2	year: 2003[3], 1998[W] Country: United States of America[USA] Technical Specifications: CHALLENGE Version United States[CHA]
11	AP8124202	Speedometer sensor cpl.	1	year: 2003[3], 1998[W] Country: United States of America[USA] Technical Specifications: CHALLENGE Version United States[CHA]
12	AP8120951	Battery fixing snap	1	year: 2003[3], 1998[W] Country: United States of America[USA] Technical Specifications: CHALLENGE Version United States[CHA]
13	AP8152280	Screw w/ flange M6X25	1	year: 2003[3], 1998[W] Country: United States of America[USA] Technical Specifications: CHALLENGE Version United States[CHA]
14	AP8112244	Fuse 7,5A	1	year: 2003[3], 1998[W] Country: United States of America[USA] Technical Specifications: CHALLENGE Version United States[CHA]
15	AP8124699	Main wiring harness	1	year: 2003[3], 1998[W] Country: United States of America[USA] Technical Specifications: CHALLENGE Version United States[CHA]
16	AP8112176	Fuse 15A	1	year: 2003[3], 1998[W] Country: United States of America[USA] Technical Specifications: CHALLENGE Version United States[CHA]
17	AP8112506	Fuse 20A	1	year: 2003[3], 1998[W] Country: United States of America[USA] Technical Specifications: CHALLENGE Version United States[CHA]
18	AP8144141	Terminal cap	1	year: 2003[3], 1998[W]

Assembly	FRAME
Code	28.61
Description	Electrical system - Challenge Vers.
Revision	1



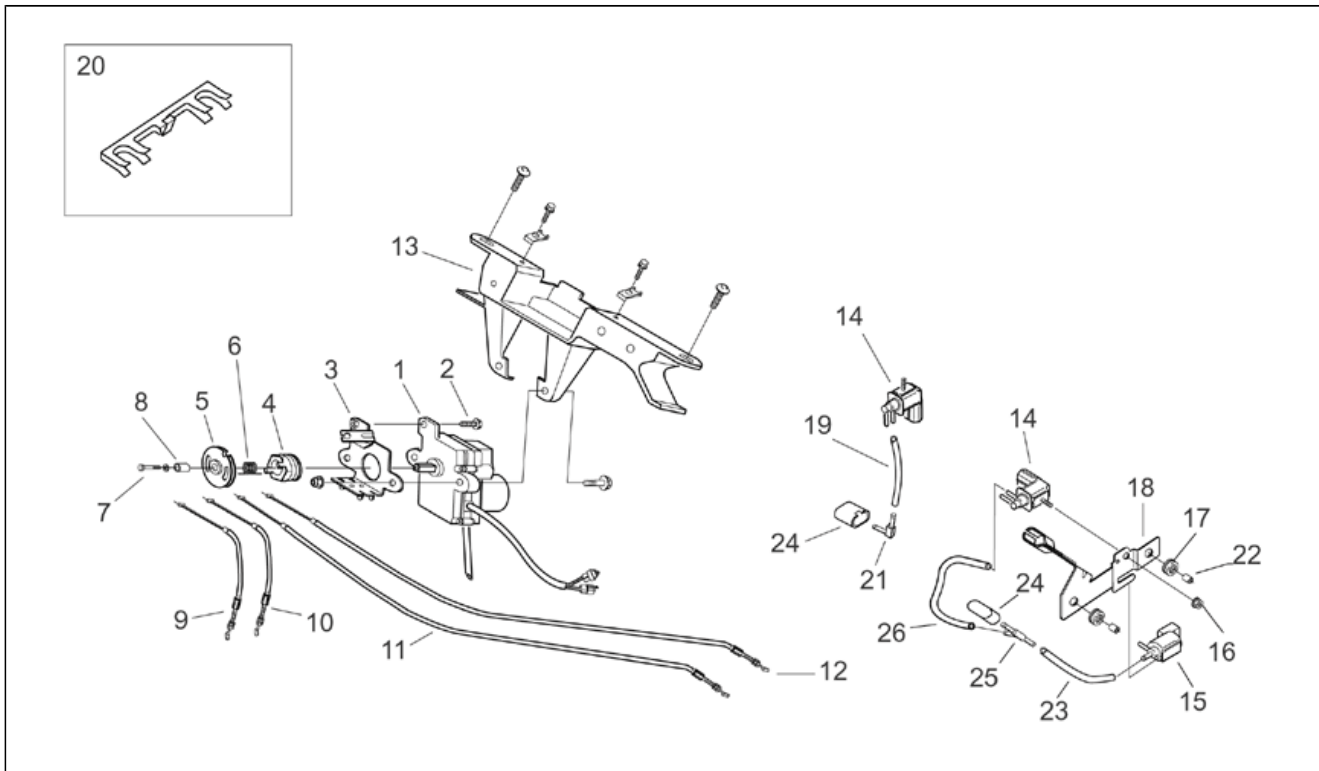
Pos.	Code	Description	Q.ty	Variants
				Country: United States of America[USA] Technical Specifications: CHALLENGE Version United States[CHA]
19	AP8120754	Rubber fuse box	3	year: 2003[3], 1998[W] Country: United States of America[USA] Technical Specifications: CHALLENGE Version United States[CHA]
20	AP8112942	Rubber fuse box	1	year: 2003[3], 1998[W] Country: United States of America[USA] Technical Specifications: CHALLENGE Version United States[CHA]

Assembly	ENGINE
Code	29.23
Description	Engine/Carburettor I
Revision	1



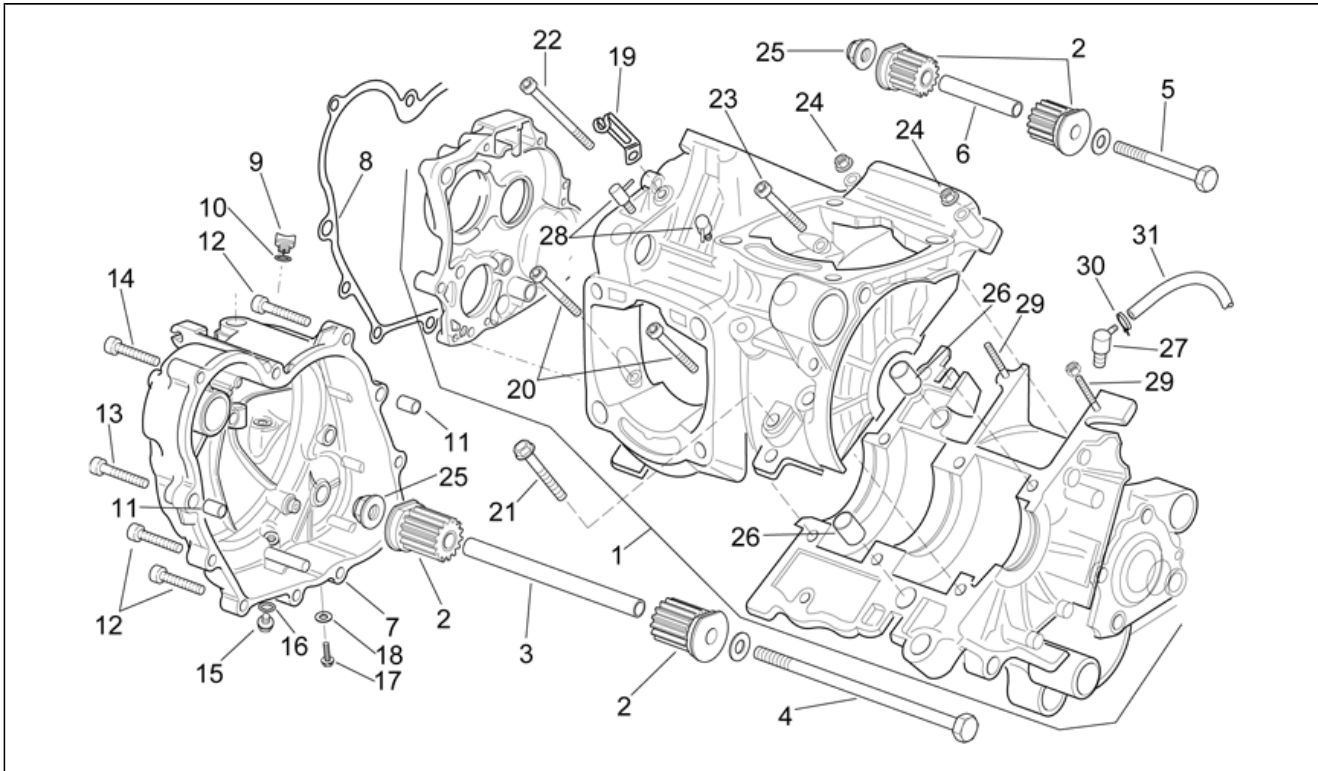
Pos.	Code	Description	Q.ty	Variants
1	AP8106292	Motor w.o. compl. 20 94	1	
2	AP8102419	Resonance pipe	2	
3	AP8106293	Sump starter lever	1	
4	AP8150439	Hex screw M10x250	1	
5	AP8121948	Front attachment bush	1	
6	AP8134309	Upper air register supp.plate	1	
7	AP8600169	RH throttle adjuster	1	
8	AP8152287	Screw w/ flange M8x25*	1	
9	AP8102420	Clip D13	4	
10	AP8102539	Clutch lever	1	
11	AP8152278	Screw w/ flange M6x16*	1	
12	AP8102431	3-way union	1	
13	AP8102239	Hose clamp 12,5x8	5	
14	AP8102498	Snap ring	1	
15	AP8106296	Sprocket cover, grey	1	
16	AP8121950	Rear attachment bush	1	
17	AP8150438	Hex socket screw M10x130	1	
18	AP8106401	Mix pump cover	1	
19	AP8152272	Screw w/ flange M5x12	2	
20	AP8150020	Washer 10,5x21x2*	2	
21	AP8152301	Self-locking nut M10*	2	
22	AP8120902	Silent-block lower attachment	4	

Assembly	ENGINE
Code	29.24
Description	Engine/Carburettor II
Revision	1



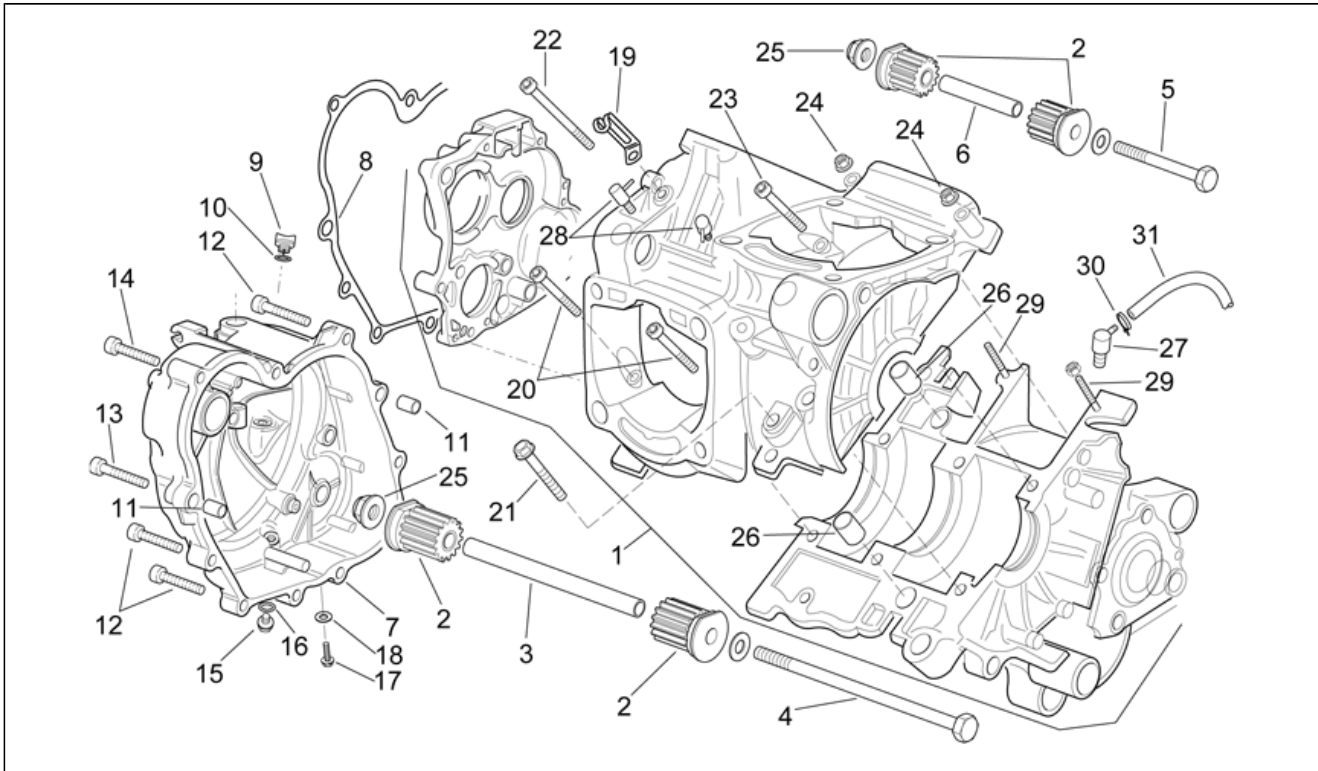
Pos.	Code	Description	Q.ty	Variants
1	AP8600027	Valve motor	1	
2	AP8600028	Screw M6x16	1	
3	AP8600029	Valve lever	1	
4	AP8600030	Valves lever pulley	1	
5	AP8600031	Oil pump lever pulley	1	
6	AP8600032	Spring	1	
7	AP8600034	Screw M5x30	1	
8	AP8600033	Spacer 5x10x15	1	
9	AP8114304	Rear cylinder valve fastener	1	
10	AP8114303	Rear cylinder valve fastener	1	
11	AP8114302	Front cylinder valve fastener	1	
12	AP8114301	Front cylinder valve fastener	1	
13	AP8138192	Support	1	
14	AP8600193	Max air solenoid	2	
15	AP8600194	Min air solenoid	1	
16	AP8600071	Nut M6	1	
17	AP8600197	Rubber spacer	2	
18	AP8600196	Support plate	1	
19	AP8600200	Max air pipe	1	
20	AP8102418	Valve lever cable guide	2	
21	AP8600201	2-way union	1	
22	AP8102425	Spacer	2	
23	AP8600198	Min air pipe	1	
24	AP8600195	Solenoids air filter	2	
25	AP8600184	3-way union	1	
26	AP8600199	Max air pipe	1	

Assembly	ENGINE
Code	29.35
Description	Crankcase
Revision	1



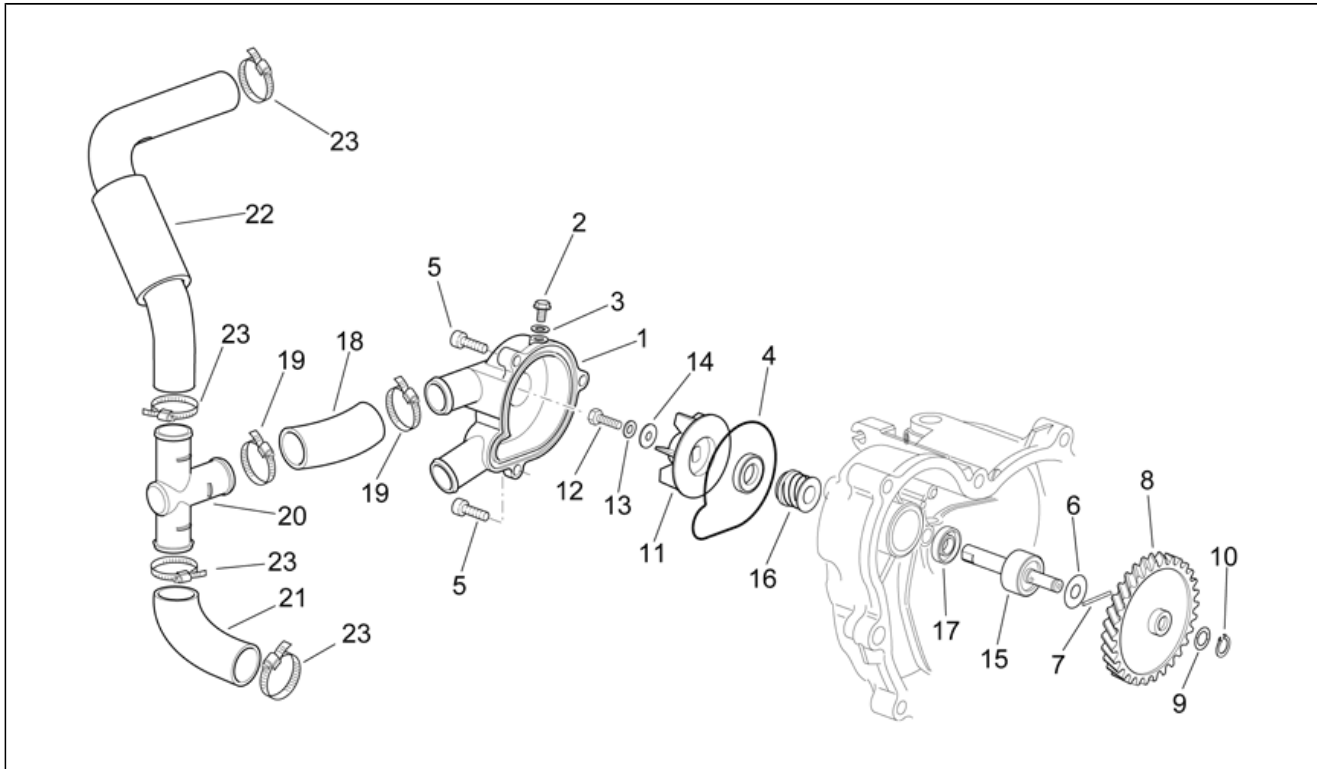
Pos.	Code	Description	Q.ty	Variants
1	AP8600060	Crankcase assy	1	
2	AP8600079	Silent-block	4	
3	AP8121948	Front attachment bush	1	
4	AP8150439	Hex screw M10x250	1	
5	AP8150438	Hex socket screw M10x130	1	
6	AP8121950	Rear attachment bush	1	
7	AP8600090	Clutch crankcase	1	
8	AP8600091	Clutch crancase gasket	2	
9	AP8600096	Oil load plug	1	
10	AP8600097	O-ring	1	
11	AP8600092	Pin	8	
12	AP8600093	Screw M6x30	1	
13	AP8600095	Screw M6x40	1	
14	AP8600094	Screw M6x35	2	
15	AP8600100	Oil unload plug	1	
16	AP8600101	Gasket 13,8x18,8	1	
17	AP8600098	Screw M6x10	1	
18	AP8600099	Washer	1	
19	AP8600363	Hose clamp l=35	1	
20	AP8600066	Screw M8x35	2	
21	AP8600065	Screw M6x50	1	
22	AP8600069	Screw M8x110	1	
23	AP8600067	Screw M8x40	2	
24	AP8600071	Nut M6	2	
25	AP8152301	Self-locking nut M10*	2	
26	AP8600061	Pin	2	
27	AP8600062	Oil breather union	1	
28	AP8600011	Oil inlet union	2	

Assembly	ENGINE
Code	29.35
Description	Crankcase
Revision	1



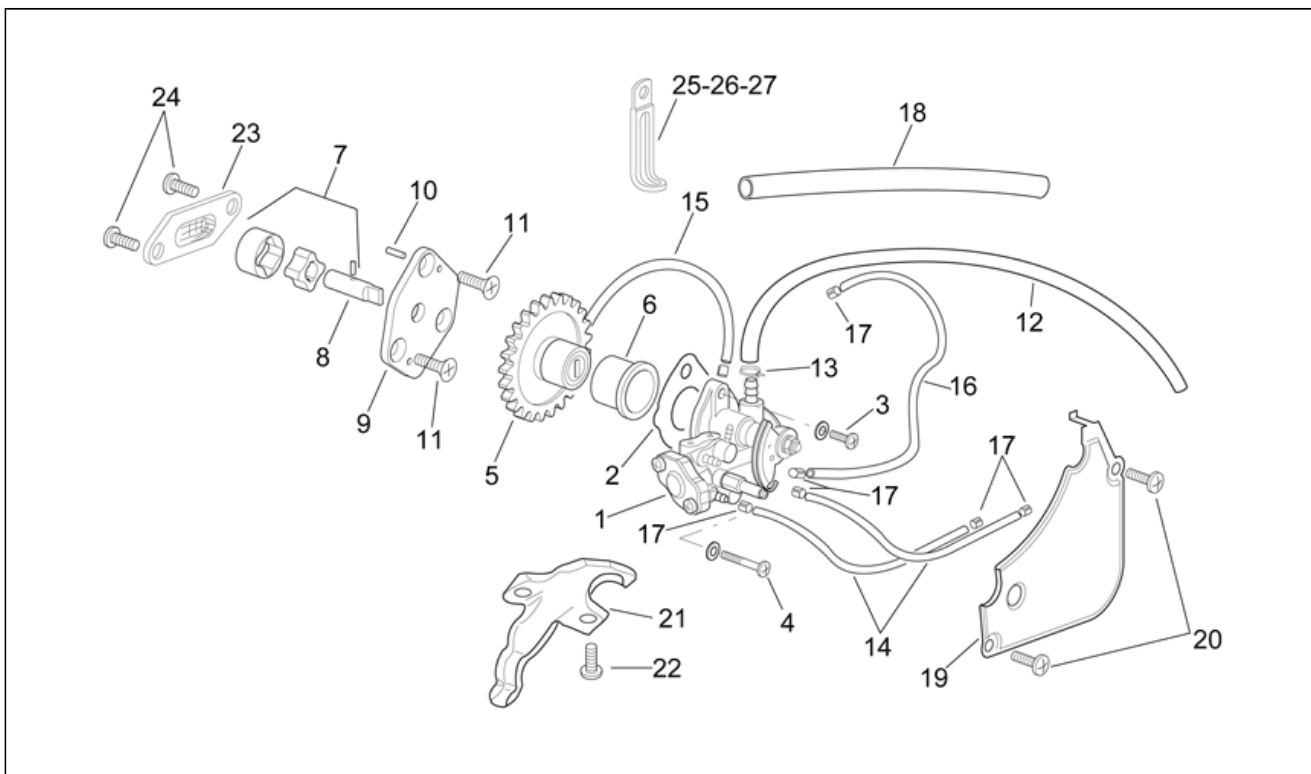
Pos.	Code	Description	Q.ty	Variants
29	AP8600070	Stud bolt l=27	2	
30	AP8600078	Clip	1	
31	AP8600077	Pipe l=600	1	

Assembly	ENGINE
Code	29.36
Description	Water pump
Revision	1



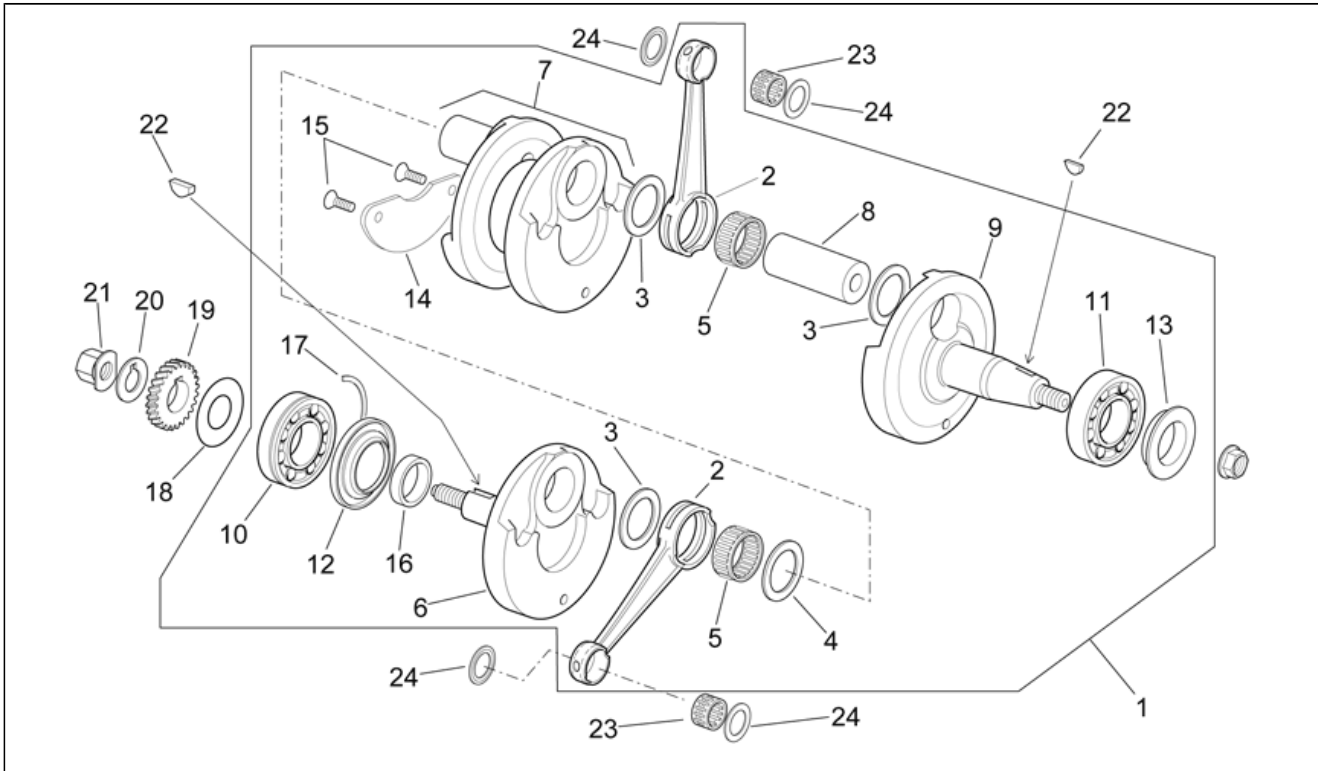
Pos.	Code	Description	Q.ty	Variants
1	AP8600228	Pump cover	1	
2	AP8600229	Water unload screw	1	
3	AP8600230	Gasket	1	
4	AP8600231	O-ring	1	
5	AP8600232	Screw	3	
6	AP8600233	Washer	1	
7	AP8600234	Pin	1	
8	AP8600235	Water pump gear	1	
9	AP8600237	Washer 17x26x1	1	
10	AP8600236	Circlip	1	
11	AP8600238	Impeller	1	
12	AP8600239	Screw M6x13	1	
13	AP8600240	Washer	1	
14	AP8600241	Washer	1	
15	AP8600242	Water pump shaft assy.	1	
16	AP8600243	Mechanical gasket	1	
17	AP8600244	Oil seal 10x20x5	1	
18	AP8600245	Pump outlet water hose	1	
19	AP8600246	Hose clamp	2	
20	AP8600247	3-way union	1	
21	AP8600248	Water hose union/RH cyl.	1	
22	AP8600249	Water hose union/LH cyl.	1	
23	AP8600250	Hose clip	4	

Assembly	ENGINE
Code	29.37
Description	Oil pump
Revision	1



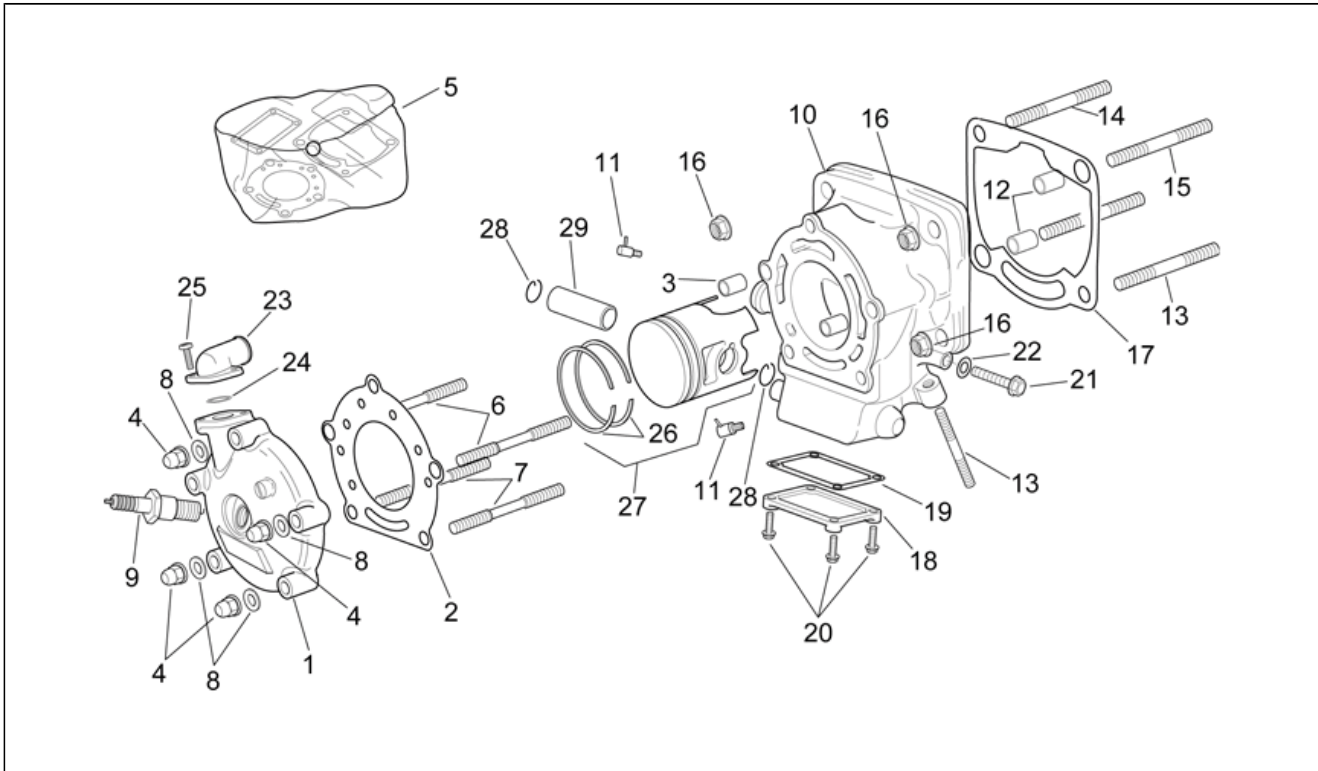
Pos.	Code	Description	Q.ty	Variants
1	AP8600202	Oil pump	1	
2	AP8600203	Mix oil pump gasket	1	
3	AP8600204	Screw	1	
4	AP8600205	Screw	1	
5	AP8600206	Oil pump gear	1	
6	AP8600207	Bush	1	
7	AP8600208	Oil pump rotor	1	
8	AP8600209	Oil pump shaft assy.	1	
9	AP8600210	Oil pump cover	1	
10	AP8600211	Pin	2	
11	AP8600212	Screw	3	
12	AP8600077	Pipe l=600	1	
13	AP8600214	Clip	1	
14	AP8600215	Pipe 2x5x600	2	
15	AP8600216	Pipe 2x5x1000	1	
16	AP8600215	Pipe 2x5x600	1	
17	AP8600217	Clip	8	
18	AP8600218	Pipe 11x15x600	1	
19	AP8600219	Cover	1	
20	AP8600220	Screw	2	
21	AP8600221	Oil pipes cover	1	
22	AP8600222	Screw	2	
23	AP8600223	Oil filter	1	
24	AP8600224	Screw	2	
25	AP8600225	Hose clamp	1	
26	AP8600226	Hose clamp l=50	1	
27	AP8600227	Hose clamp l=82	1	

Assembly	ENGINE
Code	29.38
Description	Drive shaft
Revision	1



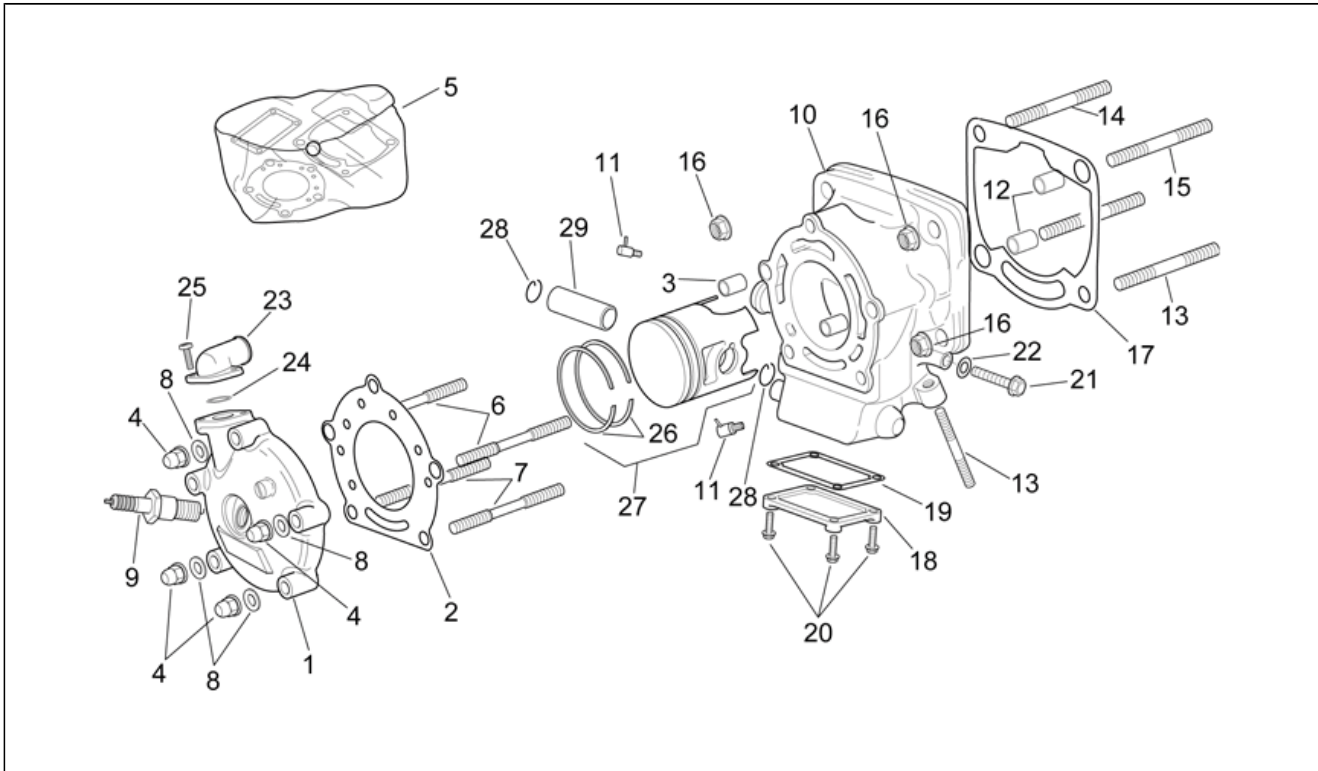
Pos.	Code	Description	Q.ty	Variants
1	AP8600105	Crankshaft cpl.	1	
2	AP8600106	Connecting rod cpl.	2	
3	AP8600107	Washer 22x27,5	3	
4	AP8600108	Washer 22x27,5x2	1	
5	AP8600109	Roller cage	2	
6	AP8600110	Crankshaft/RH part	1	
7	AP8600111	Crankshaft/central part	1	
8	AP8600112	Rod pin	1	
9	AP8600113	Crankshaft/LH part	1	
10	AP8600114	Bearing RH 25x62x17	1	
11	AP8600115	Bearing LH 25x62x17	1	
12	AP8600116	Oil seal RH 32x62x6	1	
13	AP8600117	Oil seal LH 25x36x6	1	
14	AP8600118	Counterweight	1	
15	AP8600212	Screw	2	
16	AP8600120	Spacer 25,5x32x9	1	
17	AP8600121	C-ring	1	
18	AP8600122	Washer	1	
19	AP8600123	Primary gear	1	
20	AP8600124	Spacer 20x48x0,5	1	
21	AP8600125	Nut	1	
22	AP8600126	Transmission key	1	
23	AP8600131	Roller cage	2	
24	AP8600132	Clearance washer	4	

Assembly	ENGINE
Code	29.39
Description	Horizontal cylinder assembly
Revision	1



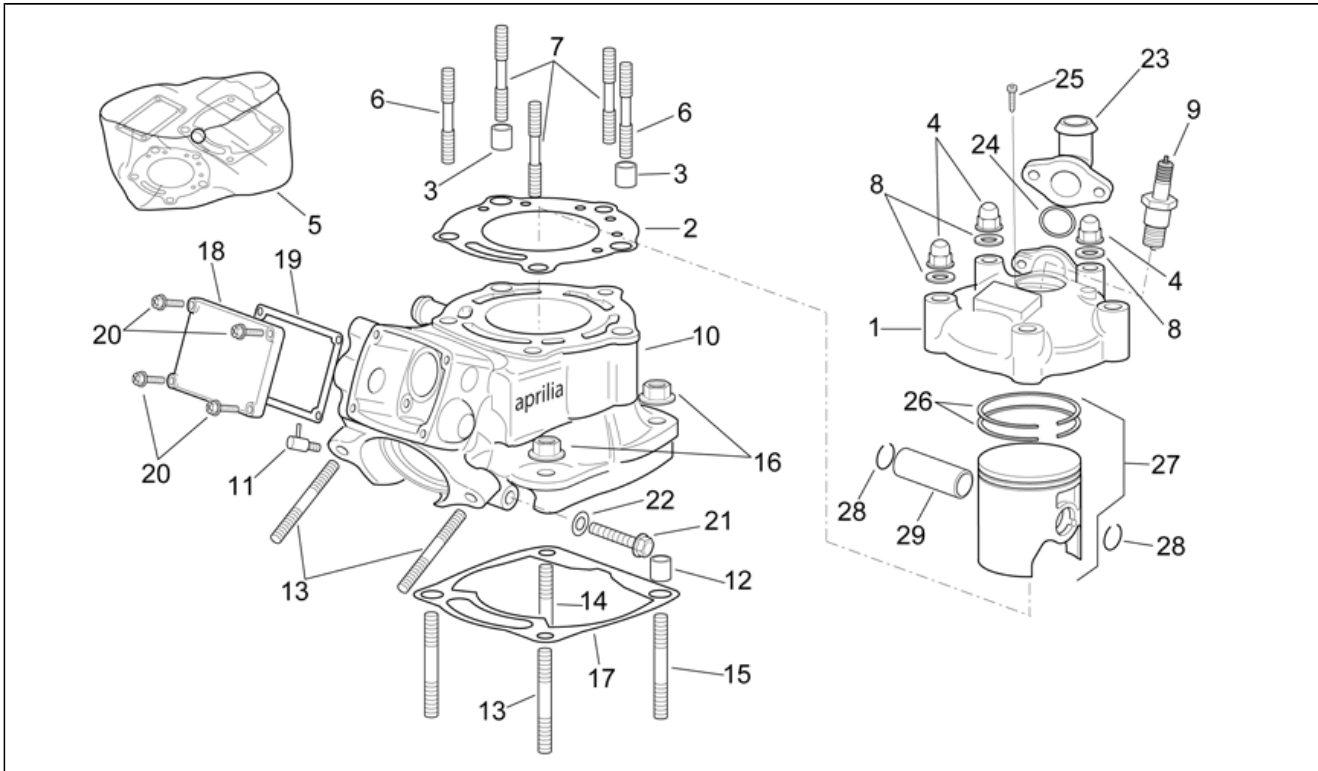
Pos.	Code	Description	Q.ty	Variants
1	AP8600001	Cylinder head	1	
2	AP8600002	Cylinder head gasket	1	
3	AP8600003	Pin	2	
4	AP8600004	Nut	5	
5	AP8600026	Gasket set	1	
6	AP8600005	Stud bolt l=51	2	
7	AP8600006	Stud bolt l=45	3	
8	AP8600007	Washer	5	
9	AP8600008	Spark plug BR9ECM	1	
10	AP8600010	Cylinder	1	
11	AP8600011	Oil inlet union	1	
12	AP8600012	Pin	2	
13	AP8600013	Stud bolt l=30	3	
14	AP8600014	Stud bolt l=35	3	
15	AP8600015	Stud bolt l=40	3	
16	AP8600016	Nut	4	
17	AP8600017	Cylinder base gasket	1	
18	AP8600018	Valve seat cover	1	
19	AP8600019	Valve cover gasket	1	
20	AP8600020	Screw	4	
21	AP8600021	Water unload screw	1	
22	AP8600022	Washer	1	
23	AP8600023	Water outlet union	1	
24	AP8600024	O-ring	1	
25	AP8600025	Screw	2	
26	AP8600128	Piston ring set	1	
27	AP8600409	Piston assy	1	
28	AP8600130	Snap ring	2	

Assembly	ENGINE
Code	29.39
Description	Horizontal cylinder assembly
Revision	1



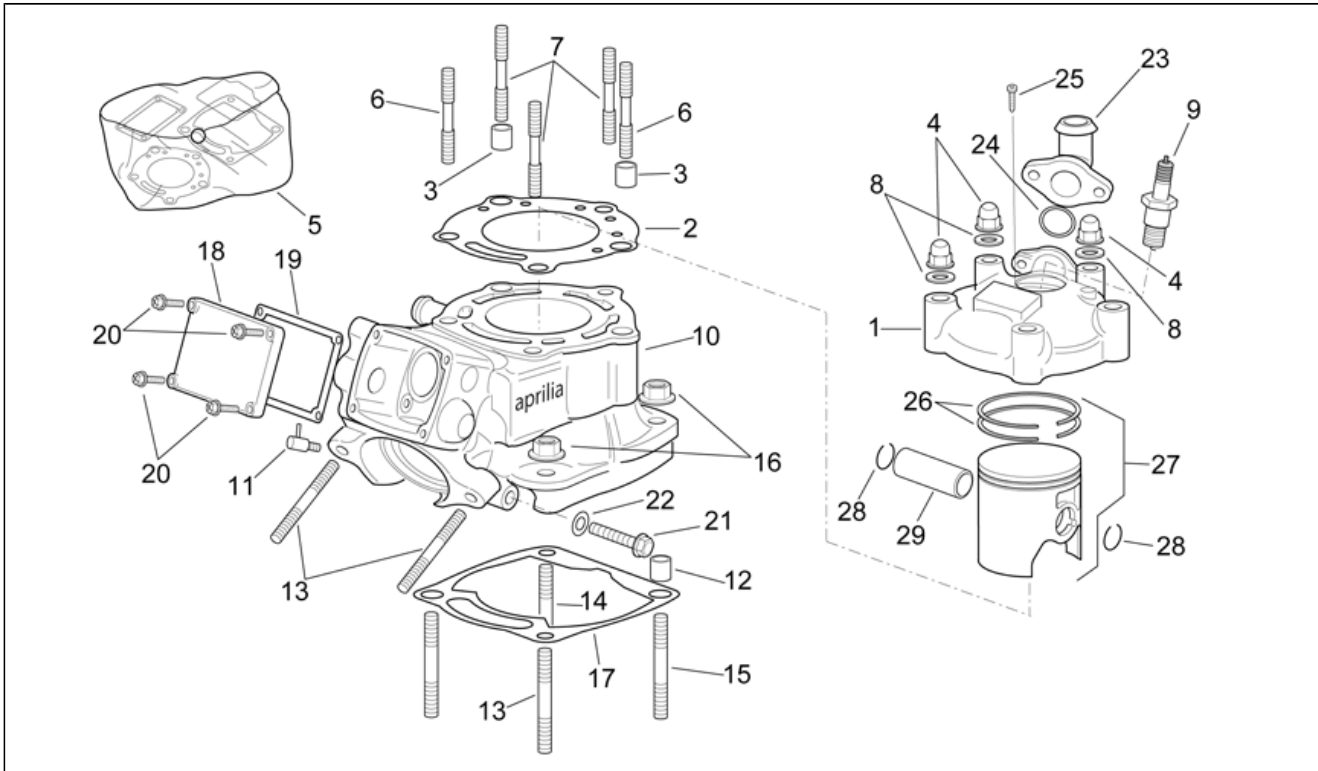
Pos.	Code	Description	Q.ty	Variants
29	AP8600129	Piston pin	1	

Assembly	ENGINE
Code	29.40
Description	Vertical cylinder assembly
Revision	1



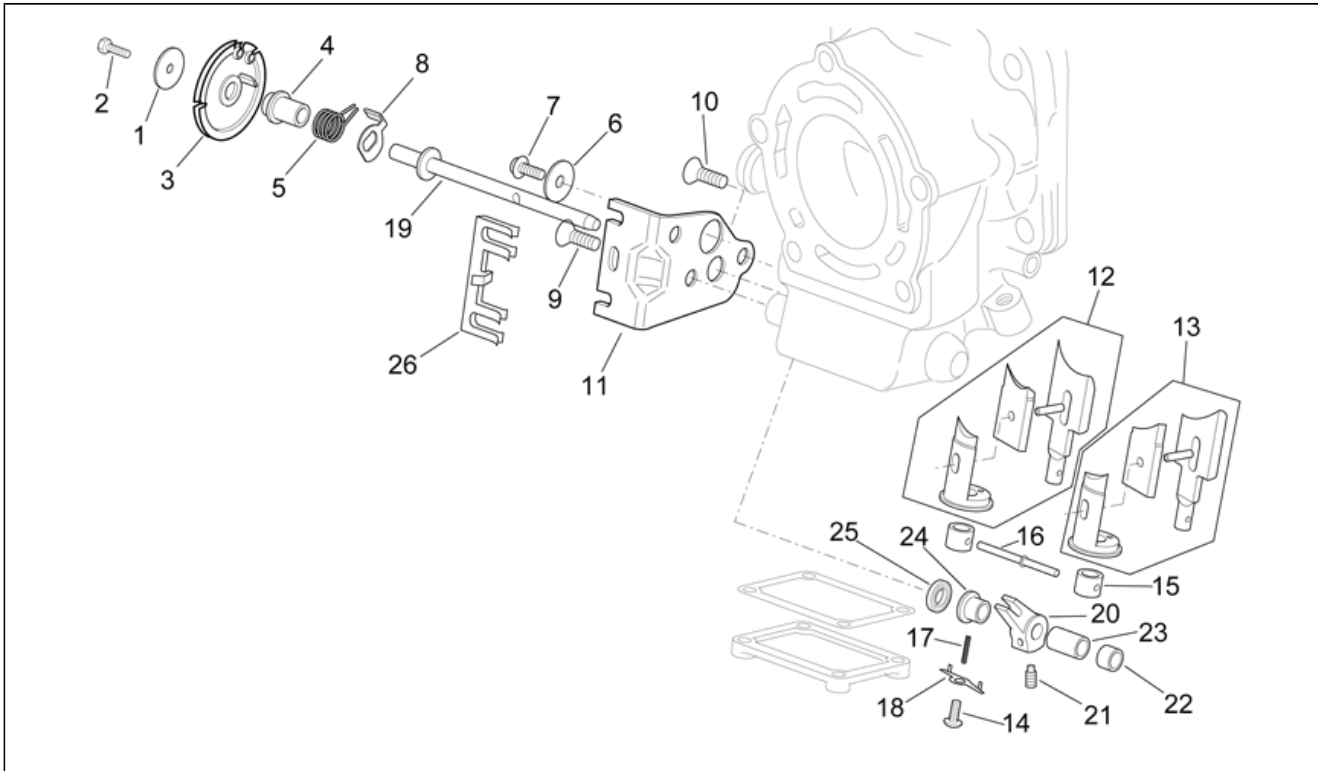
Pos.	Code	Description	Q.ty	Variants
1	AP8600001	Cylinder head	1	
2	AP8600002	Cylinder head gasket	1	
3	AP8600003	Pin	2	
4	AP8600004	Nut	5	
5	AP8600026	Gasket set	1	
6	AP8600005	Stud bolt l=51	2	
7	AP8600006	Stud bolt l=45	3	
8	AP8600007	Washer	5	
9	AP8600008	Spark plug BR9ECM	1	
10	AP8600010	Cylinder	1	
11	AP8600011	Oil inlet union	1	
12	AP8600012	Pin	2	
13	AP8600013	Stud bolt l=30	3	
14	AP8600014	Stud bolt l=35	3	
15	AP8600015	Stud bolt l=40	3	
16	AP8600016	Nut	4	
17	AP8600017	Cylinder base gasket	1	
18	AP8600018	Valve seat cover	1	
19	AP8600019	Valve cover gasket	1	
20	AP8600020	Screw	4	
21	AP8600021	Water unload screw	1	
22	AP8600022	Washer	1	
23	AP8600023	Water outlet union	1	
24	AP8600024	O-ring	1	
25	AP8600025	Screw	2	
26	AP8600128	Piston ring set	1	
27	AP8600409	Piston assy	1	
28	AP8600130	Snap ring	2	

Assembly	ENGINE
Code	29.40
Description	Vertical cylinder assembly
Revision	1



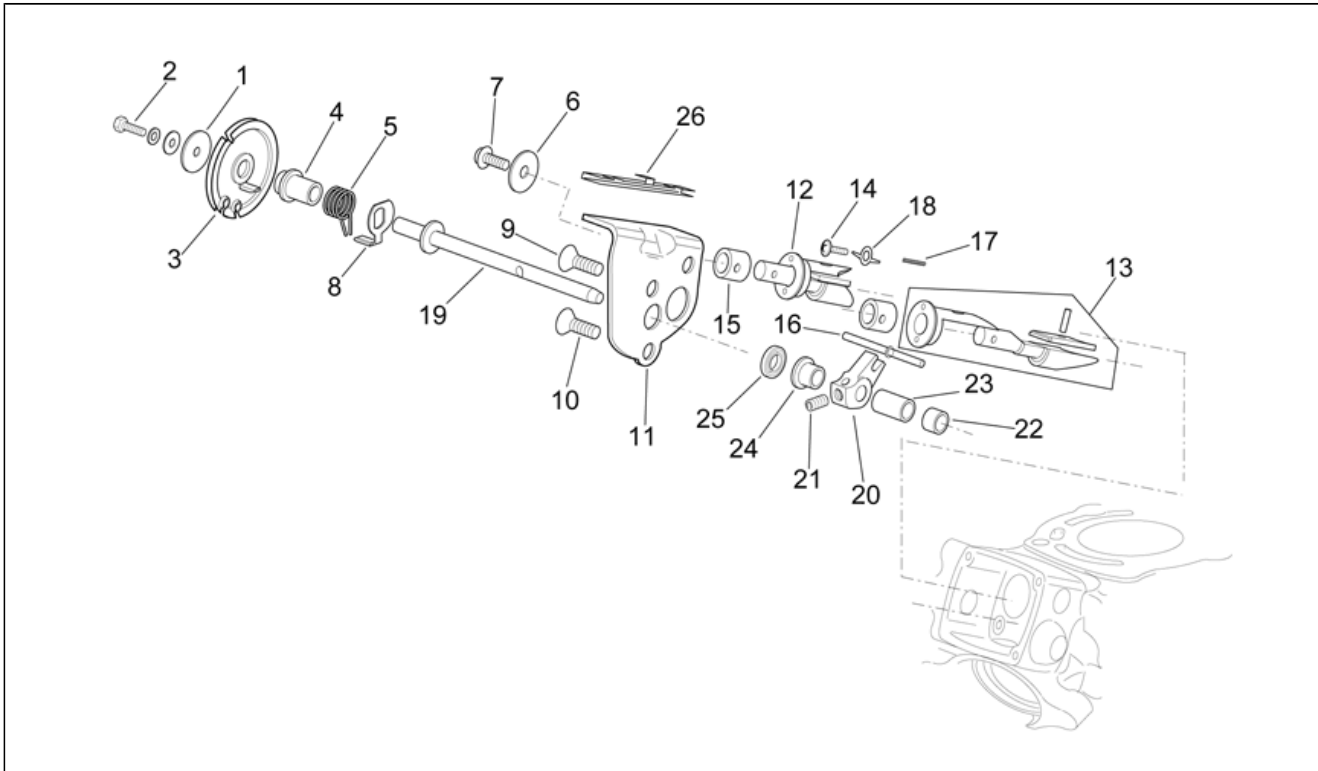
Pos.	Code	Description	Q.ty	Variants
29	AP8600129	Piston pin	1	

Assembly	ENGINE
Code	29.41
Description	Valves assembly I
Revision	1



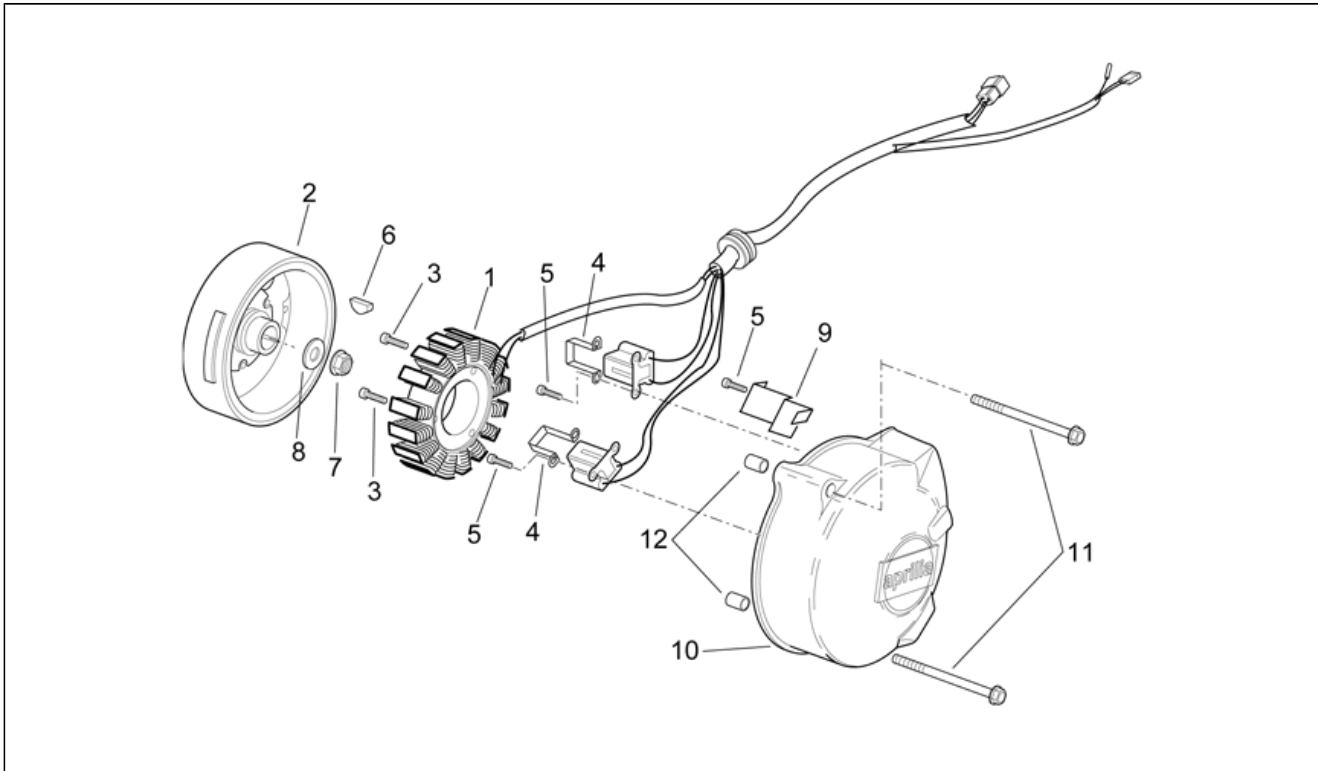
Pos.	Code	Description	Q.ty	Variants
1	AP8600059	Washer	1	
2	AP8600058	Screw	1	
3	AP8600057	Exhaust pipe pulley	1	
4	AP8600056	Exhaust valve pulley spacer	1	
5	AP8600055	Exhaust valve spring	1	
6	AP8600054	Washer	1	
7	AP8600053	Screw	1	
8	AP8600052	Exhaust valve lever	1	
9	AP8600051	Screw M6x12	1	
10	AP8600050	Screw	1	
11	AP8600049	Exhaust valve cable plate	1	
12	AP8600035	Exhaust valve RH	1	
13	AP8600036	Exhaust valve LH	1	
14	AP8600037	Screw	3	
15	AP8600038	Exhaust valve spacer	2	
16	AP8600411	Exhaust valve pin	1	
17	AP8600040	Spring	2	
18	AP8600041	Plate	1	
19	AP8600042	Exhaust valve shaft	1	
20	AP8600043	Exhaust valve drive arm	1	
21	AP8600044	Screw	1	
22	AP8600045	Bush	1	
23	AP8600046	Spacer	1	
24	AP8600047	Exhaust valve bush	1	
25	AP8600048	Oil seal 8x16x5	1	
26	AP8102418	Valve lever cable guide	1	

Assembly	ENGINE
Code	29.42
Description	Valves assembly II
Revision	1



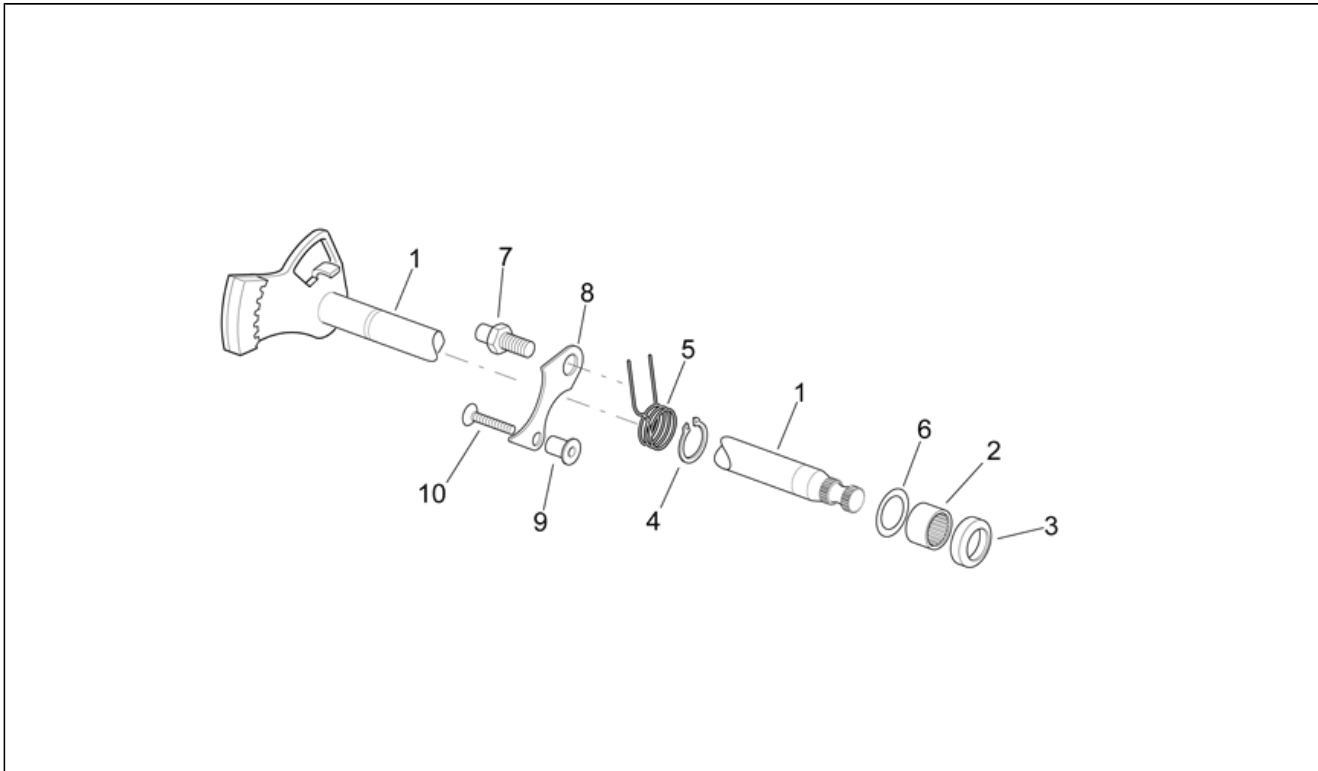
Pos.	Code	Description	Q.ty	Variants
1	AP8600059	Washer	1	
2	AP8600058	Screw	1	
3	AP8600057	Exhaust pipe pulley	1	
4	AP8600056	Exhaust valve pulley spacer	1	
5	AP8600055	Exhaust valve spring	1	
6	AP8600054	Washer	1	
7	AP8600053	Screw	1	
8	AP8600052	Exhaust valve lever	1	
9	AP8600051	Screw M6x12	1	
10	AP8600050	Screw	1	
11	AP8600049	Exhaust valve cable plate	1	
12	AP8600035	Exhaust valve RH	1	
13	AP8600036	Exhaust valve LH	1	
14	AP8600037	Screw	3	
15	AP8600038	Exhaust valve spacer	2	
16	AP8600411	Exhaust valve pin	1	
17	AP8600040	Spring	2	
18	AP8600041	Plate	1	
19	AP8600042	Exhaust valve shaft	1	
20	AP8600043	Exhaust valve drive arm	1	
21	AP8600044	Screw	1	
22	AP8600045	Bush	1	
23	AP8600046	Spacer	1	
24	AP8600047	Exhaust valve bush	1	
25	AP8600048	Oil seal 8x16x5	1	
26	AP8102418	Valve lever cable guide	1	

Assembly	ENGINE
Code	29.43
Description	Ignition unit
Revision	1



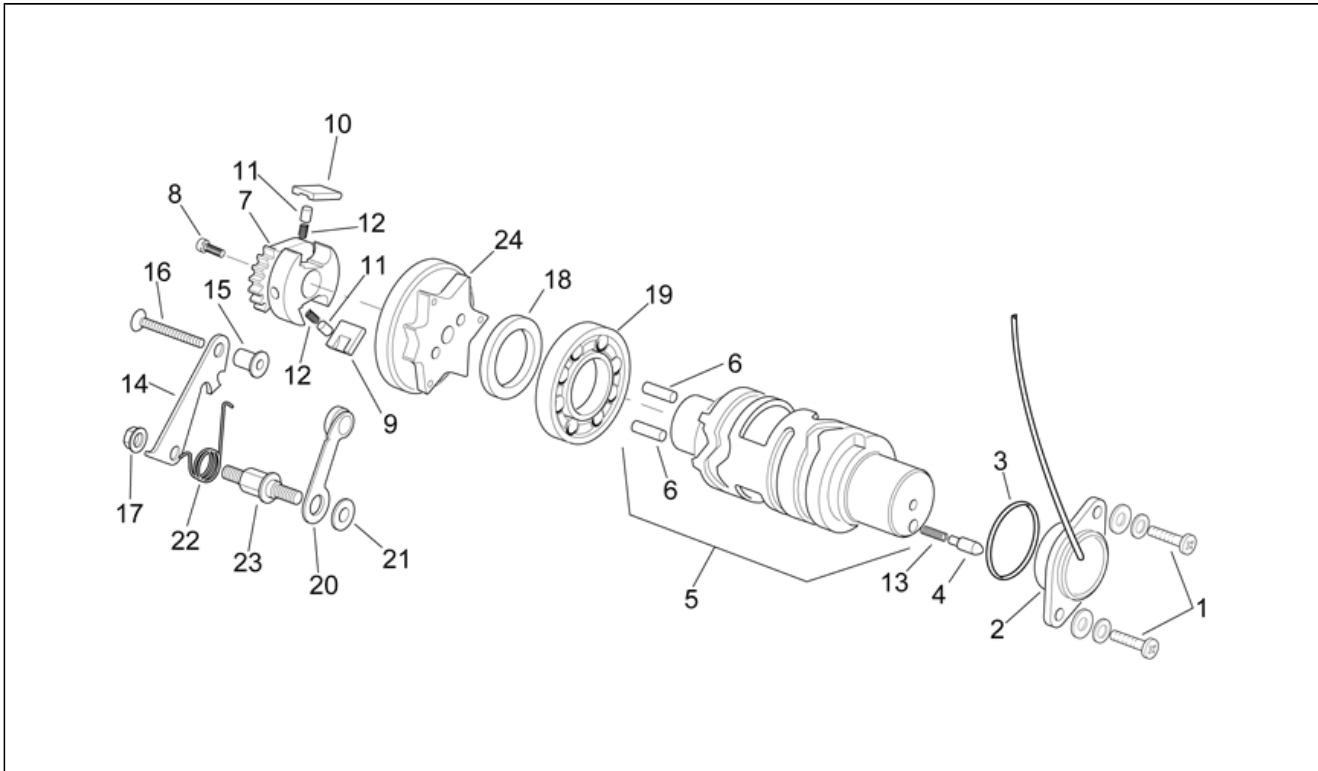
Pos.	Code	Description	Q.ty	Variants
1	AP8600373	Stator cpl.	1	
2	AP8600374	Cdi magneto assy	1	
3	AP8600375	Screw	3	
4	AP8600376	Pick-up plate	2	
5	AP8600377	Screw	5	
6	AP8600378	Transmission key	1	
7	AP8600379	Nut	1	
8	AP8600380	Washer 12x27x2	1	
9	AP8600381	Hose clamp	1	
10	AP8600102	Flywheel cover	1	
11	AP8600103	Screw	3	
12	AP8600104	Pin	2	

Assembly	ENGINE
Code	29.44
Description	Gear control assembly I
Revision	1



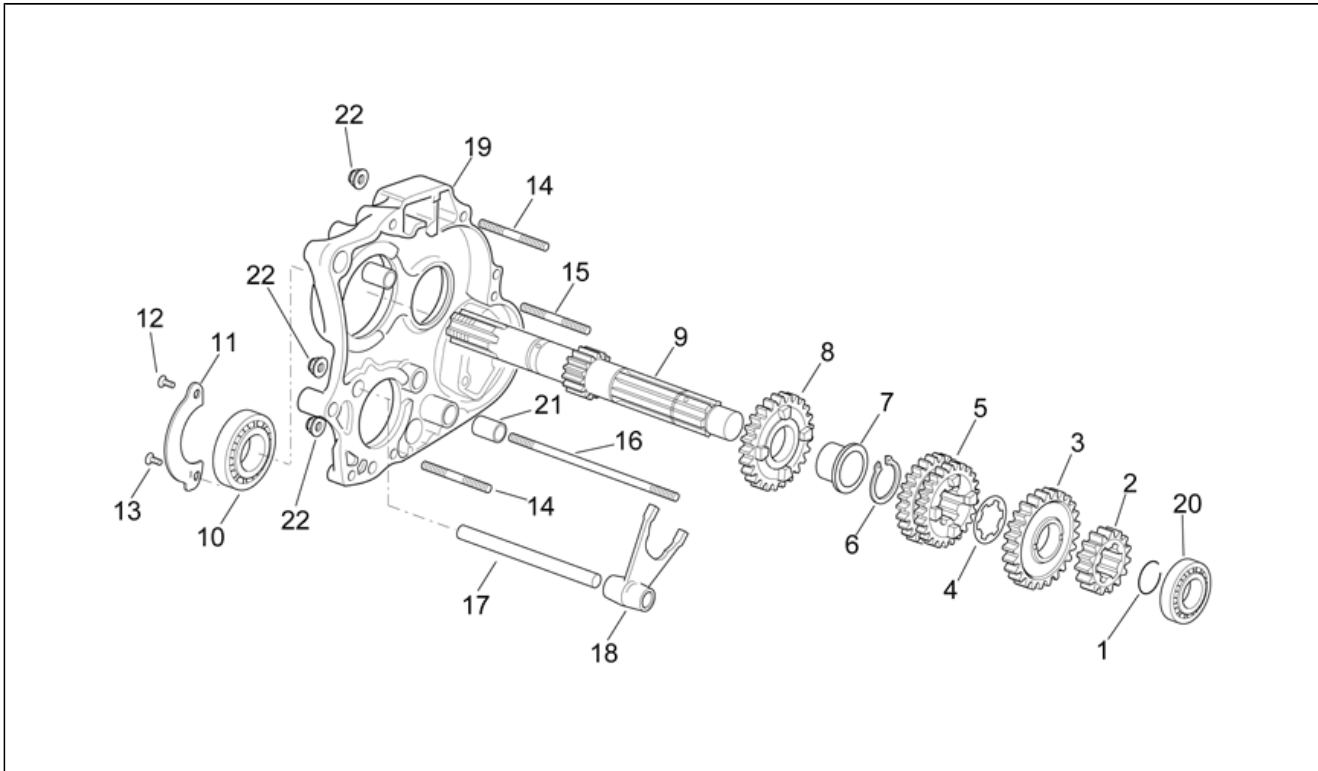
Pos.	Code	Description	Q.ty	Variants
1	AP8600351	Selector shaft	1	
2	AP8600356	Bearing 14x20x12	1	
3	AP8600355	Oil seal 13x22x6	1	
4	AP8600357	Snap ring	1	
5	AP8600353	Spring	1	
6	AP8600352	Washer	1	
7	AP8600354	Lock plate	1	
8	AP8600340	Gearbox motion plate	1	
9	AP8600342	Spacer 6,1x10x16	1	
10	AP8600343	Screw	1	

Assembly	ENGINE
Code	29.45
Description	Gear control assembly II
Revision	1



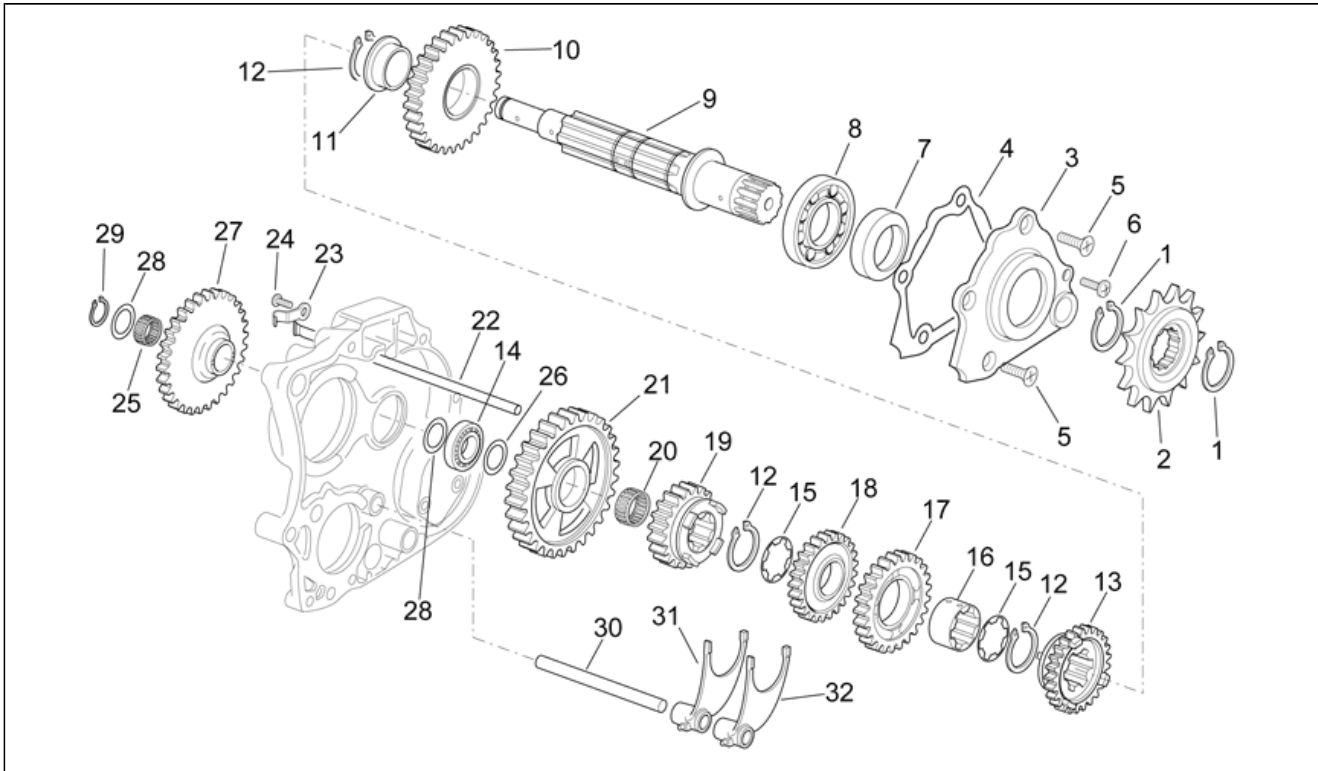
Pos.	Code	Description	Q.ty	Variants
1	AP8600360	Screw	2	
2	AP8600358	Neutral indicator switch+seal	1	
3	AP8600359	O-ring	1	
4	AP8600361	Pin	1	
5	AP8600332	Shift cam	1	
6	AP8600333	Shift cam pin	2	
7	AP8600406	Shift cam gear	1	
8	AP8600335	Shift cam gear pin	1	
9	AP8600336	Shift cam n1 plate	1	
10	AP8600337	Shift cam n2 plate	1	
11	AP8600338	Roller	2	
12	AP8600339	Spring	2	
13	AP8600362	Spring	1	
14	AP8600341	Shift cam guide plate	1	
15	AP8600342	Spacer 6,1x10x16	1	
16	AP8600343	Screw	1	
17	AP8600071	Nut M6	1	
18	AP8600344	Washer 25x32x3	1	
19	AP8600345	Bearing 25x47x8	1	
20	AP8600346	Shift cam lock plate	1	
21	AP8600347	Washer	1	
22	AP8600348	Spring	1	
23	AP8600349	Support	1	
24	AP8600350	Shift cam star	1	

Assembly	ENGINE
Code	29.46
Description	Primary gear shaft
Revision	1



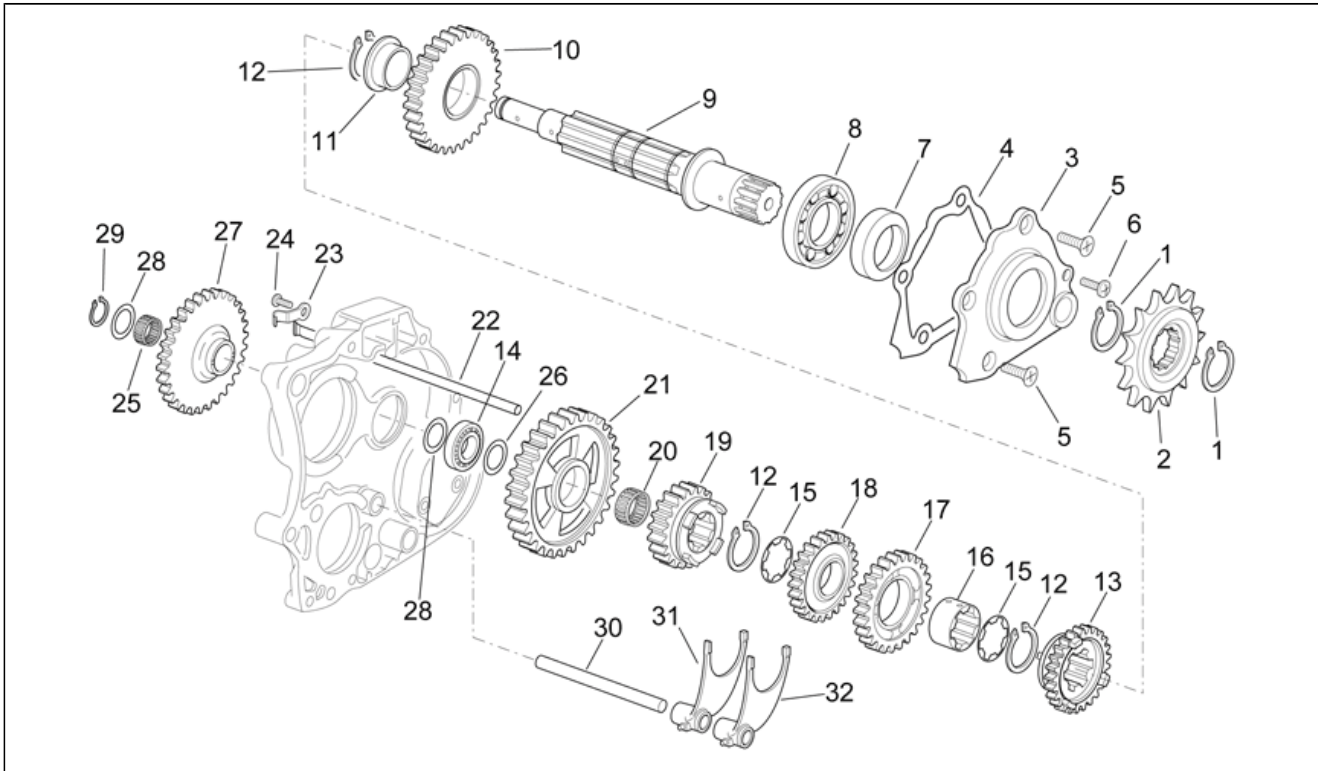
Pos.	Code	Description	Q.ty	Variants
1	AP8600292	Circlip	1	
2	AP8600288	2nd pinion gear z=16	1	
3	AP8600291	6th pinion gear z=25	1	
4	AP8600294	Washer	1	
5	AP8600289	3rd-4th pinion gear z=17-22	1	
6	AP8600295	Snap ring	2	
7	AP8600293	Bush	1	
8	AP8600290	5th pinion gear z=24	1	
9	AP8600287	Primary gear shaft z=11	1	
10	AP8600296	Bearing 20x52x15	1	
11	AP8600410	Check bearing plate	1	
12	AP8600412	Screw M6x16	1	
13	AP8600412	Screw M6x16	1	
14	AP8600073	Stud bolt	4	
15	AP8600074	Stud bolt	2	
16	AP8600072	Stud bolt l=90	1	
17	AP8600331	Fork shaft	1	
18	AP8600329	Fork n3	1	
19	AP8600408	Gearbox cover	1	
20	AP8600297	Bearing 17x40x12	1	
21	AP8600075	Pin	2	
22	AP8600076	Nut	7	

Assembly	ENGINE
Code	29.47
Description	Driven shaft
Revision	1



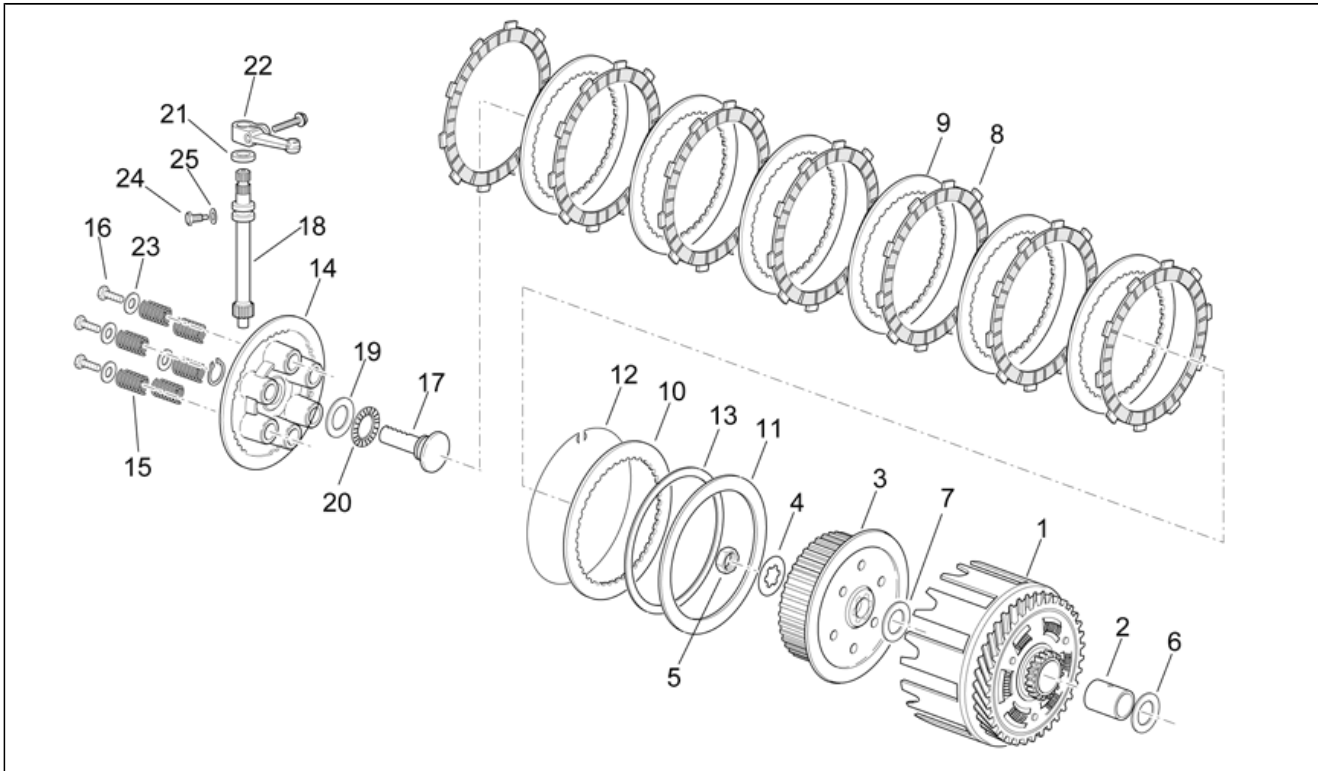
Pos.	Code	Description	Q.ty	Variants
1	AP8600326	Snap ring	2	
2	AP8600325	Pinion Z=14	1	
3	AP8600318	Lock bearing plate	1	
4	AP8600319	Stop plate gasket	1	
5	AP8600320	Screw M6x16	3	
6	AP8600321	Screw M6x16	1	
7	AP8600313	Oil seal 25x38x6	1	
8	AP8600312	Bearing 25x62x17	1	
9	AP8600298	Driven shaft	1	
10	AP8600300	2nd wheel gear z=26	1	
11	AP8600307	Bush	1	
12	AP8600309	Circlip	3	
13	AP8600405	6th wheel gear z=21	1	
14	AP8600311	Bearing	1	
15	AP8600310	Washer	2	
16	AP8600308	Gear bush 3/4	1	
17	AP8600301	3rd wheel gear z=21	1	
18	AP8600302	4th wheel gear z=23	1	
19	AP8600303	5th wheel gear z=22	1	
20	AP8600306	Bearing 18x22x12.8	1	
21	AP8600299	1st wheel gear z=27	1	
22	AP8600314	Gearbox oil pipe	1	
23	AP8600315	Oil pipe lock plate	1	
24	AP8600316	Screw	1	
25	AP8600327	Bearing 15x19x13	1	
26	AP8600305	Washer	1	
27	AP8600322	Trans.starter gear z=33	1	
28	AP8600323	Clearance washer	2	

Assembly	ENGINE
Code	29.47
Description	Driven shaft
Revision	1



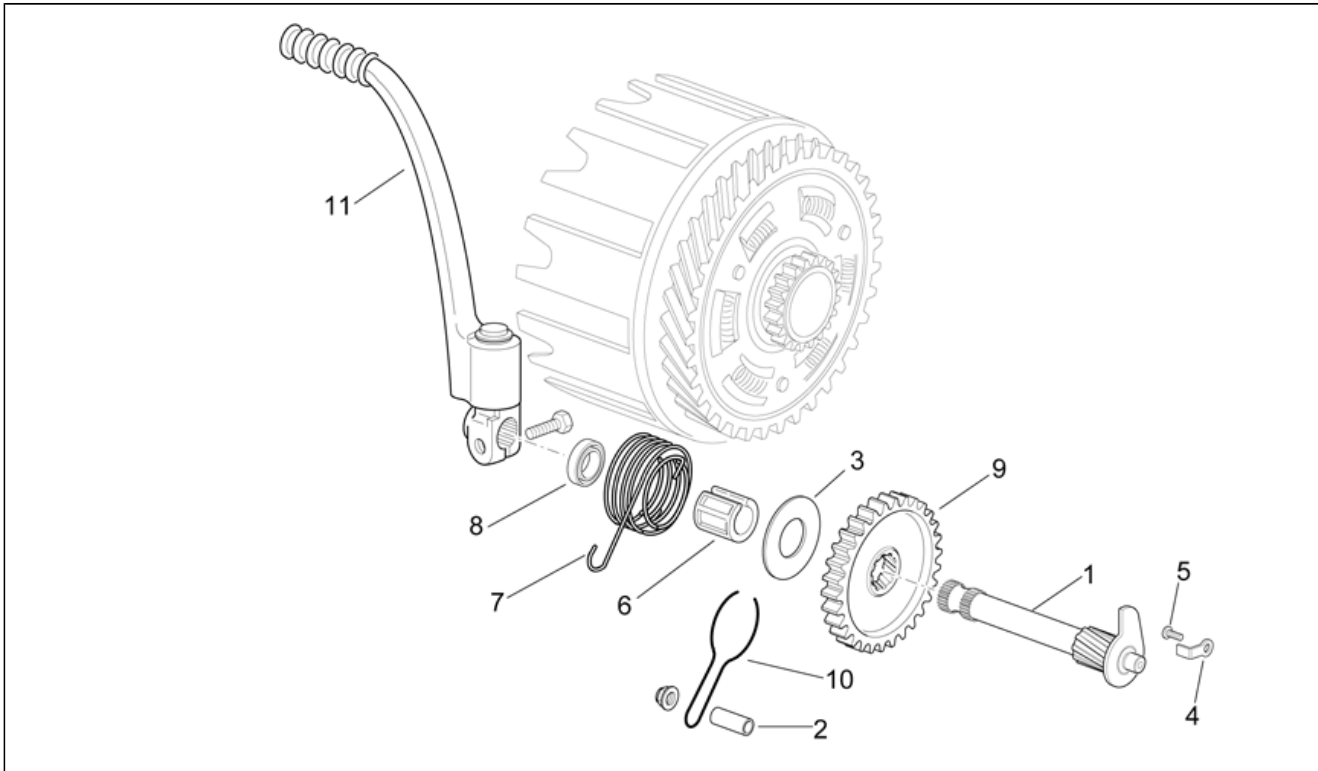
Pos.	Code	Description	Q.ty	Variants
29	AP8600324	Snap ring	1	
30	AP8600330	Fork shaft	1	
31	AP8600328	Fork n1	1	
32	AP8600404	Fork n2	1	

Assembly	ENGINE
Code	29.48
Description	Clutch
Revision	1



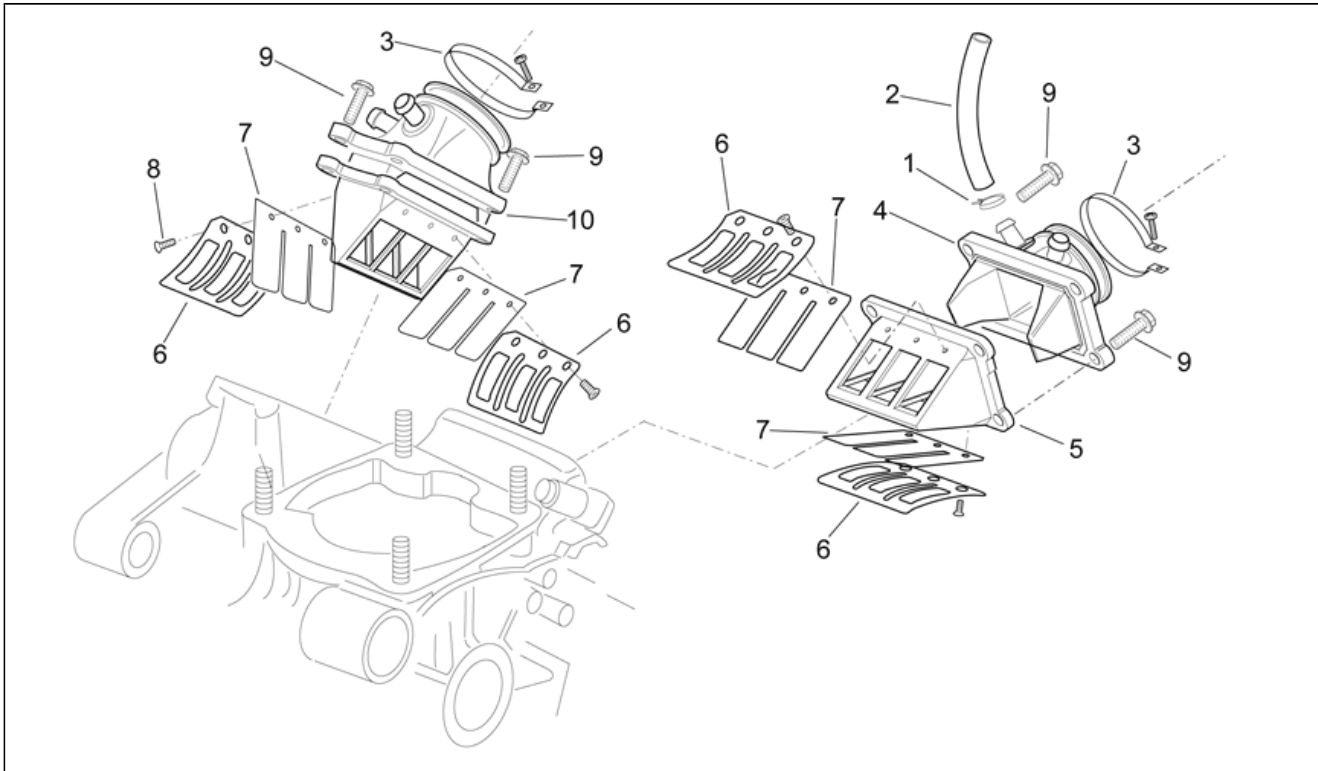
Pos.	Code	Description	Q.ty	Variants
1	AP8600261	Clutch drum	1	
2	AP8600262	Clutch drum spacer	1	
3	AP8600263	Clutch hub	1	
4	AP8600264	Washer	1	
5	AP8600265	Nut	1	
6	AP8600266	Washer 20x36x3	1	
7	AP8600267	Washer 20x36x2	1	
8	AP8600268	Lined clutch disc sp.3	7	
9	AP8600269	Metallic clutch disc sp.1.6	6	
10	AP8600270	Metallic clutch disc sp.2	1	
11	AP8600271	Elastic clutch plate ring	1	
12	AP8600272	Clutch stop ring	1	
13	AP8600273	Elastic clutch plate	1	
14	AP8600274	Clutch pressure plate	1	
15	AP8600275	Clutch spring	6	
16	AP8600276	Screw	6	
17	AP8600277	Clutch control washer	1	
18	AP8600278	Clutch shaft	1	
19	AP8600279	Washer 15,5x28x1	1	
20	AP8600280	Bearing 15x28x2	1	
21	AP8600281	Oil seal 10x17x5	1	
22	AP8600282	Clutch lever	1	
23	AP8600286	Circlip	1	
24	AP8600284	Screw	1	
25	AP8600285	Washer	1	

Assembly	ENGINE
Code	29.49
Description	Starter assembly
Revision	1



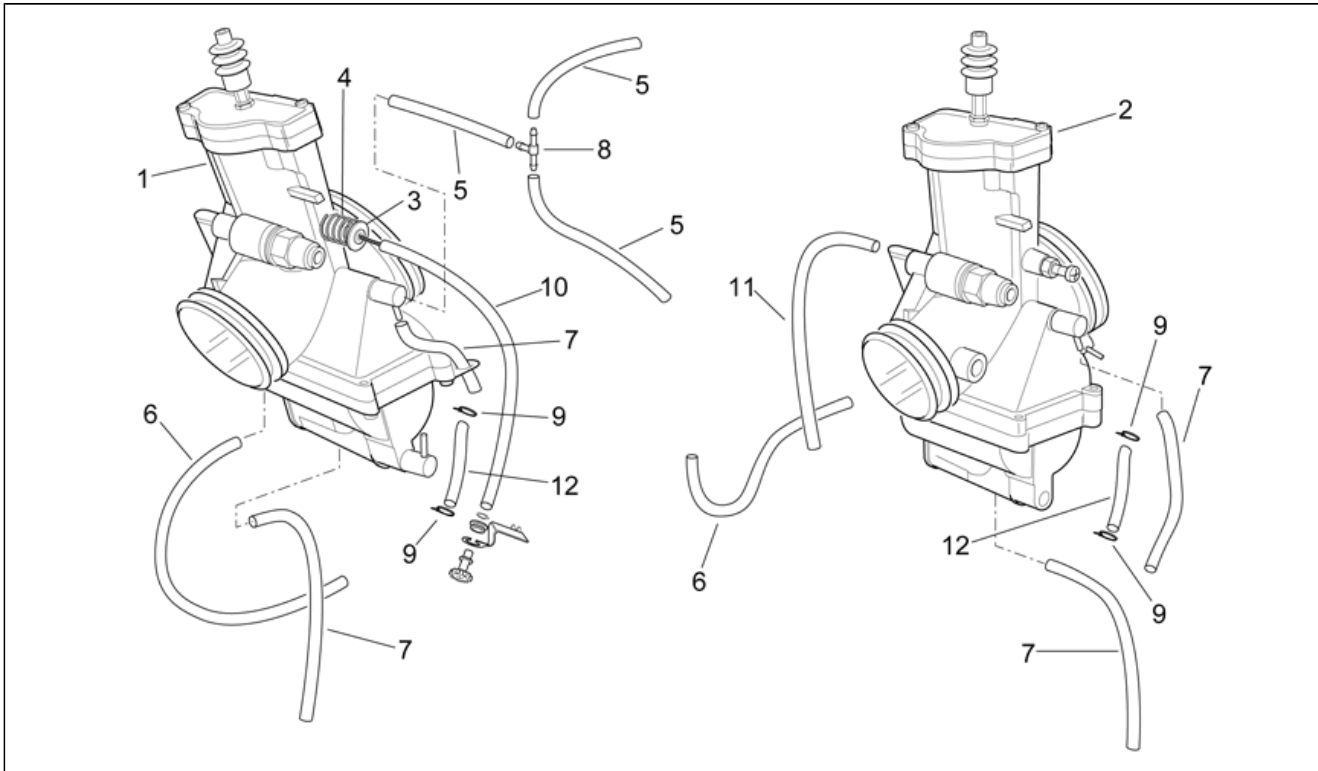
Pos.	Code	Description	Q.ty	Variants
1	AP8600364	Starting shaft	1	
2	AP8600365	Spacer 6,5x10,5x22,5	1	
3	AP8600366	Clearance washer	1	
4	AP8600407	Lock plate	1	
5	AP8600316	Screw	1	
6	AP8600368	Kick starter spring guide	1	
7	AP8600369	Kickstarter spring	1	
8	AP8600370	Oil seal 16x24x5	1	
9	AP8600371	Kick starter gear z=34	1	
10	AP8600372	Kick starter spring lock	1	
11	AP8106273	Starter lever cpl.	1	

Assembly	ENGINE
Code	29.50
Description	Carburettor flange
Revision	1



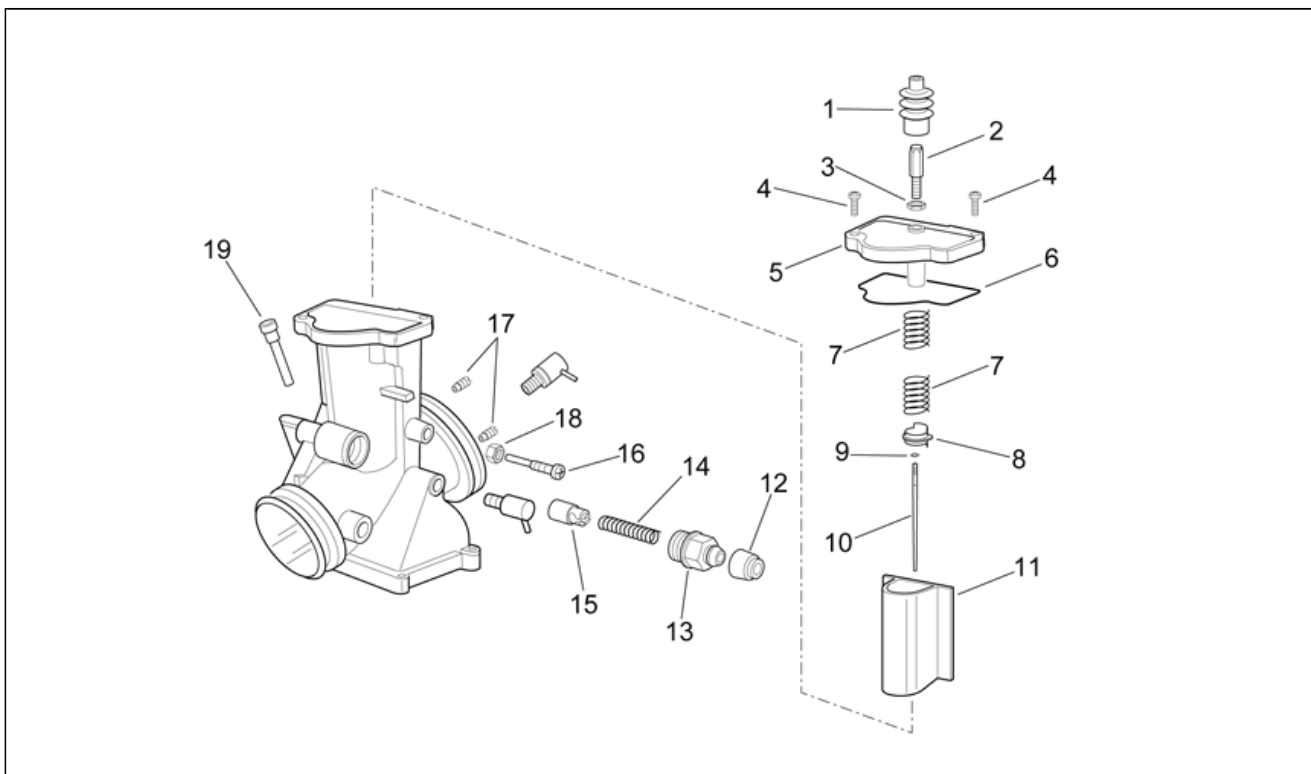
Pos.	Code	Description	Q.ty	Variants
1	AP8102420	Clip D13	4	
2	AP8600088	Pipe l=2200	2	
3	AP8600087	Hose clamp	2	
4	AP8600086	Intake hose LH	1	
5	AP8600080	Reed valve assy	2	
6	AP8600081	Blade lock	4	
7	AP8600082	Reed valve assy	4	
8	AP8600083	Screw	12	
9	AP8600084	Screw m6x20	8	
10	AP8600085	Intake hose RH	1	

Assembly	ENGINE
Code	29.51
Description	Carburettor I
Revision	1



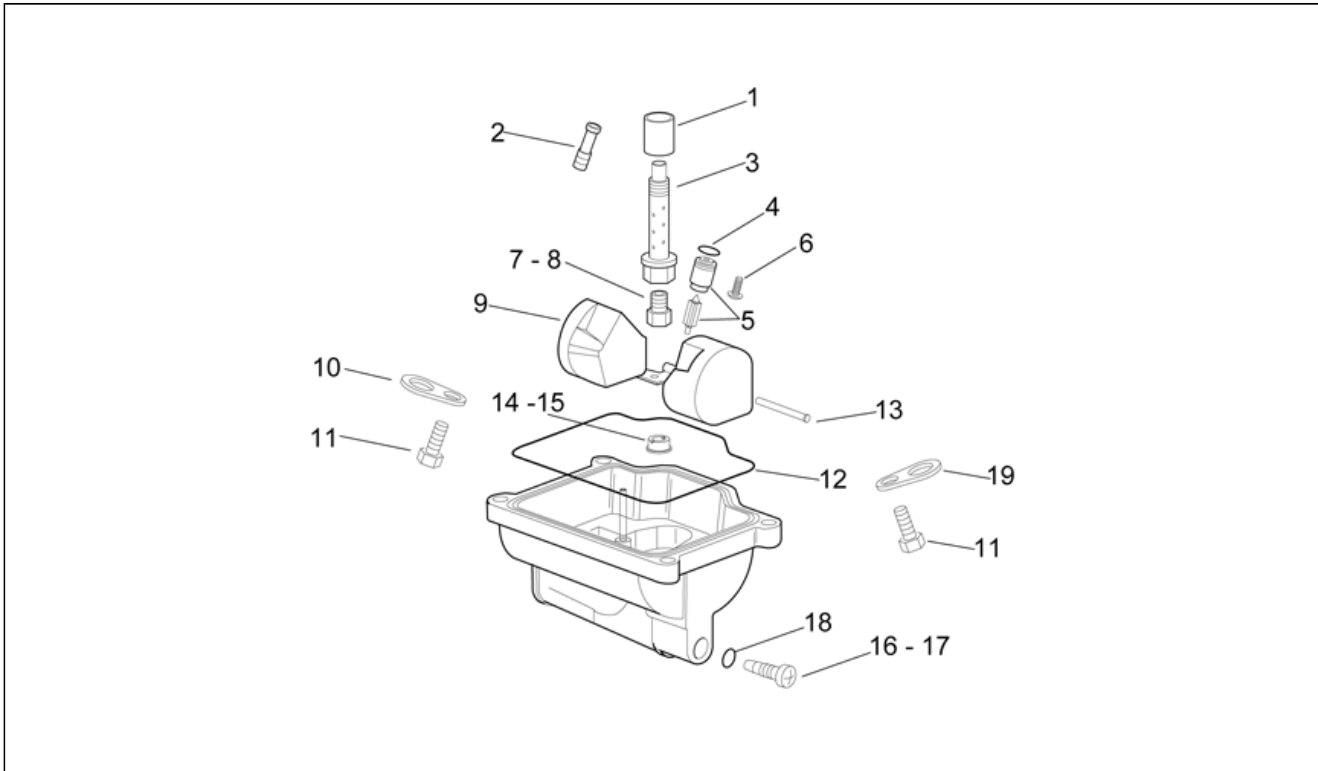
Pos.	Code	Description	Q.ty	Variants
1	AP8600134	Carburettor RH	1	Country: Australia[AUS], Belgium[B], Brasil[BR], Denmark[DK], Spain[E], France[F], Greece[GR], Italy[I], Japan[J], Malaysia[MAL], Holland[NL], Portugal[P], Great Britain[UK], United States of America[USA]
1	AP8600402	Carburettor RH	1	Country: Germany[D]
2	AP8600133	Carburettor LH	1	Country: Australia[AUS], Belgium[B], Brasil[BR], Denmark[DK], Spain[E], France[F], Greece[GR], Italy[I], Japan[J], Malaysia[MAL], Holland[NL], Portugal[P], Great Britain[UK], United States of America[USA]
2	AP8600401	Carburettor LH	1	Country: Germany[D]
3	AP8600171	Washer	1	
4	AP8600170	Spring RH	1	
5	AP8600157	Pipe l=250	3	
6	AP8600180	Pipe 4x7x1000	2	
7	AP8600164	Pipe 3x5x650	2	
8	AP8600184	3-way union	1	
9	AP8600176	Clip	4	
10	AP8600169	RH throttle adjuster	1	
11	AP8600200	Max air pipe	2	
12	AP8600175	Pipe cpl.	2	

Assembly	ENGINE
Code	29.52
Description	Carburettor II
Revision	1



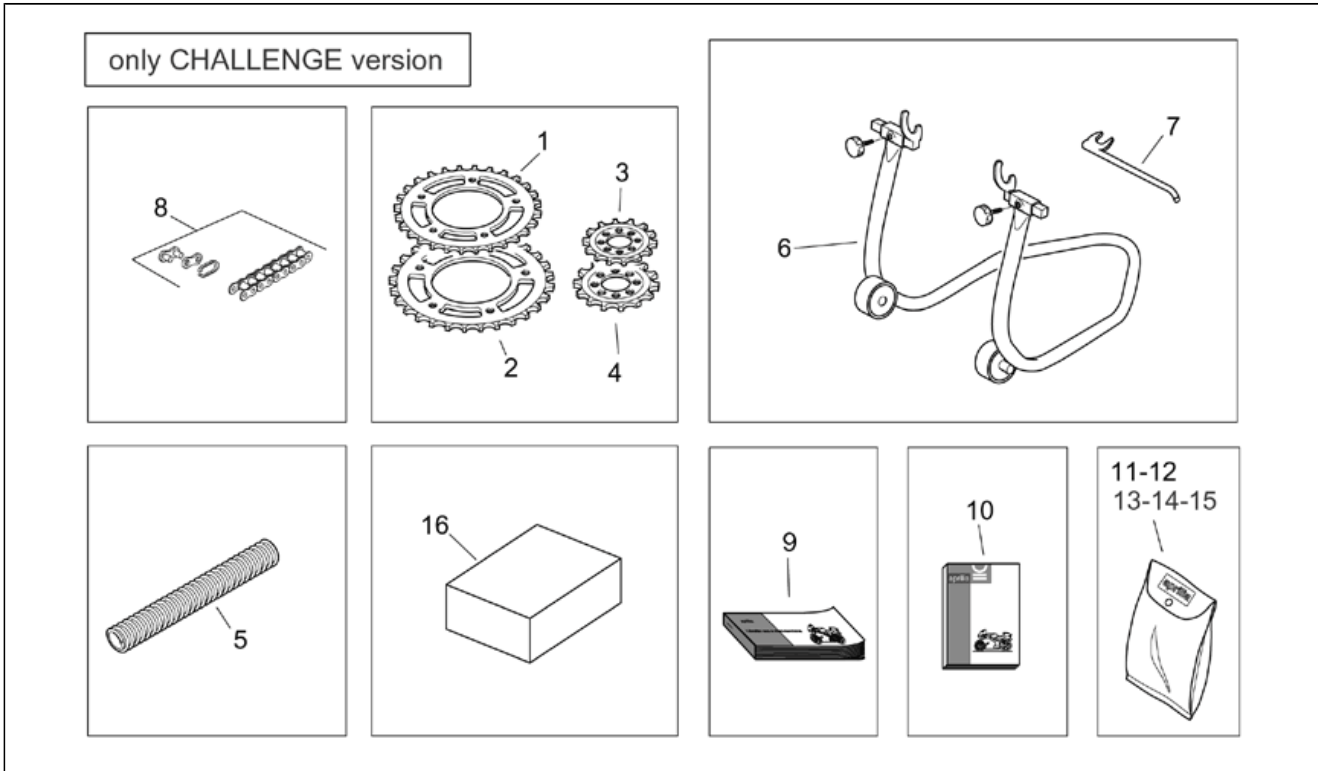
Pos.	Code	Description	Q.ty	Variants
1	AP8102423	Throttle cable cap	2	
2	AP8600138	Register	2	
3	AP8600139	Nut	2	
4	AP8600137	Screw	12	
5	AP8600135	Cover	2	
6	AP8600136	O-ring	2	
7	AP8600140	Spring	2	
8	AP8600141	Ring	2	
9	AP8600142	Circlip	2	
10	AP8600143	Jet Needle 6gh8-55-3	2	
11	AP8600144	Valve ca=1,5	2	
12	AP8600168	Cap	2	
13	AP8600167	Spring guide	2	
14	AP8600166	Spring	2	
15	AP8600165	Starter shutter	2	
16	AP8600181	Adjuster screw LH	1	
17	AP8106417	Air jet (1,5)	2	
17	AP8600172	Air jet (1,1)	2	
18	AP8600182	Nut	1	
19	AP8600178	Filter	2	

Assembly	ENGINE
Code	29.53
Description	Carburettor III
Revision	1



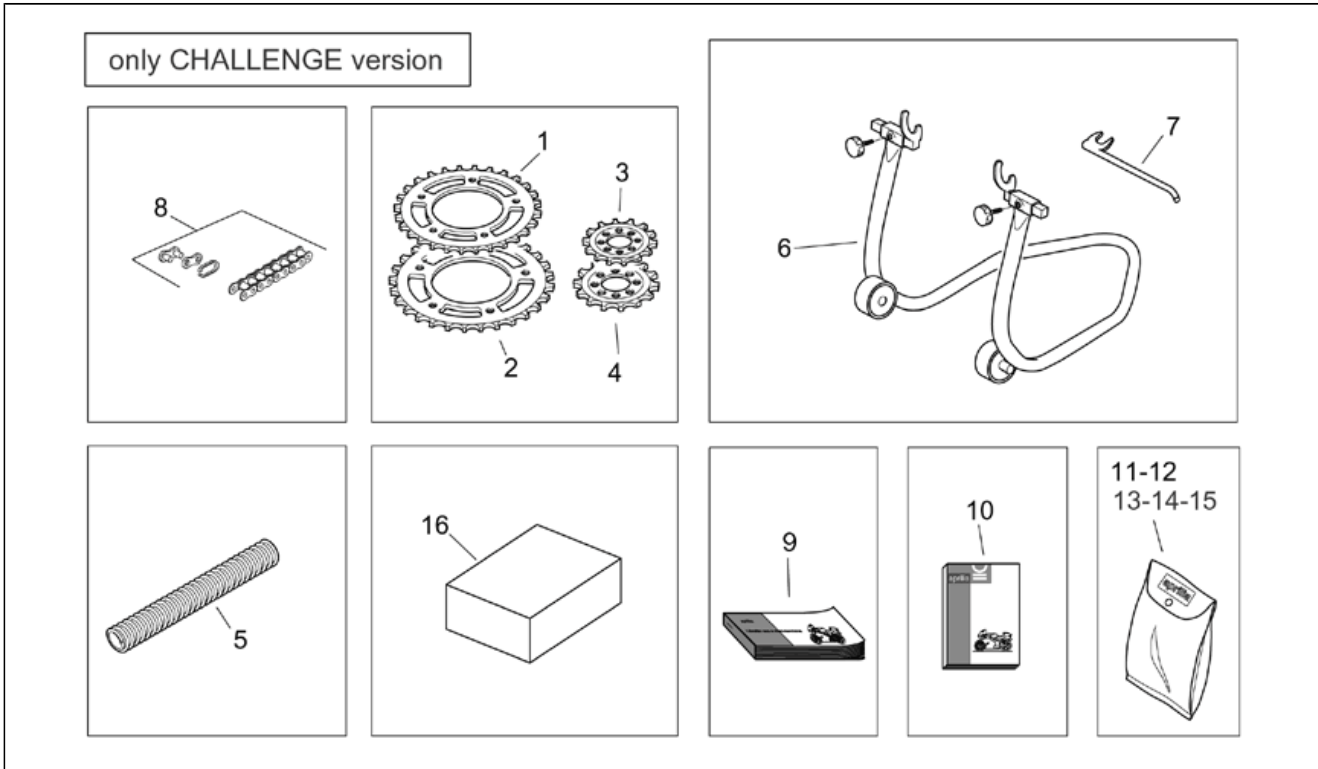
Pos.	Code	Description	Q.ty	Variants
1	AP8600177	Ring	2	
2	AP8106342	Idle jet 20	2	Country: Germany[D], Holland[NL]
2	AP8600145	Idle jet 27,5	2	Country: Australia[AUS], Belgium[B], Brasil[BR], Denmark[DK], Spain[E], France[F], Greece[GR], Italy[I], Japan[J], Malaysia[MAL], Portugal[P], Great Britain[UK], United States of America[USA]
3	AP8106341	Needle valve 0-9	2	Country: Germany[D]
3	AP8600146	Needle valve 0-8	2	Country: Australia[AUS], Belgium[B], Brasil[BR], Denmark[DK], Spain[E], France[F], Greece[GR], Italy[I], Japan[J], Malaysia[MAL], Holland[NL], Portugal[P], Great Britain[UK], United States of America[USA]
4	AP8600150	O-ring	2	
5	AP8600149	Needle valve	2	
6	AP8600151	Screw	2	
7	AP8600147	Main jet LH 270	1	
8	AP8600148	Main jet RH 280	1	
9	AP8600152	Float	2	
10	AP8600159	Plate	2	
11	AP8600137	Screw	2	
12	AP8600156	Float chamber gasket	2	
13	AP8600153	Float pin	2	
14	AP8600154	Power jet LH (55)	1	
15	AP8600155	Power jet RH (35)	1	
16	AP8600161	Unload screw LH	1	
17	AP8600162	Unload screw RH	1	
18	AP8600163	O-ring	1	
19	AP8600160	Plate	2	

Assembly	ACCESSORIES
Code	30.62
Description	Accessories Kit - Challenge Version
Revision	1



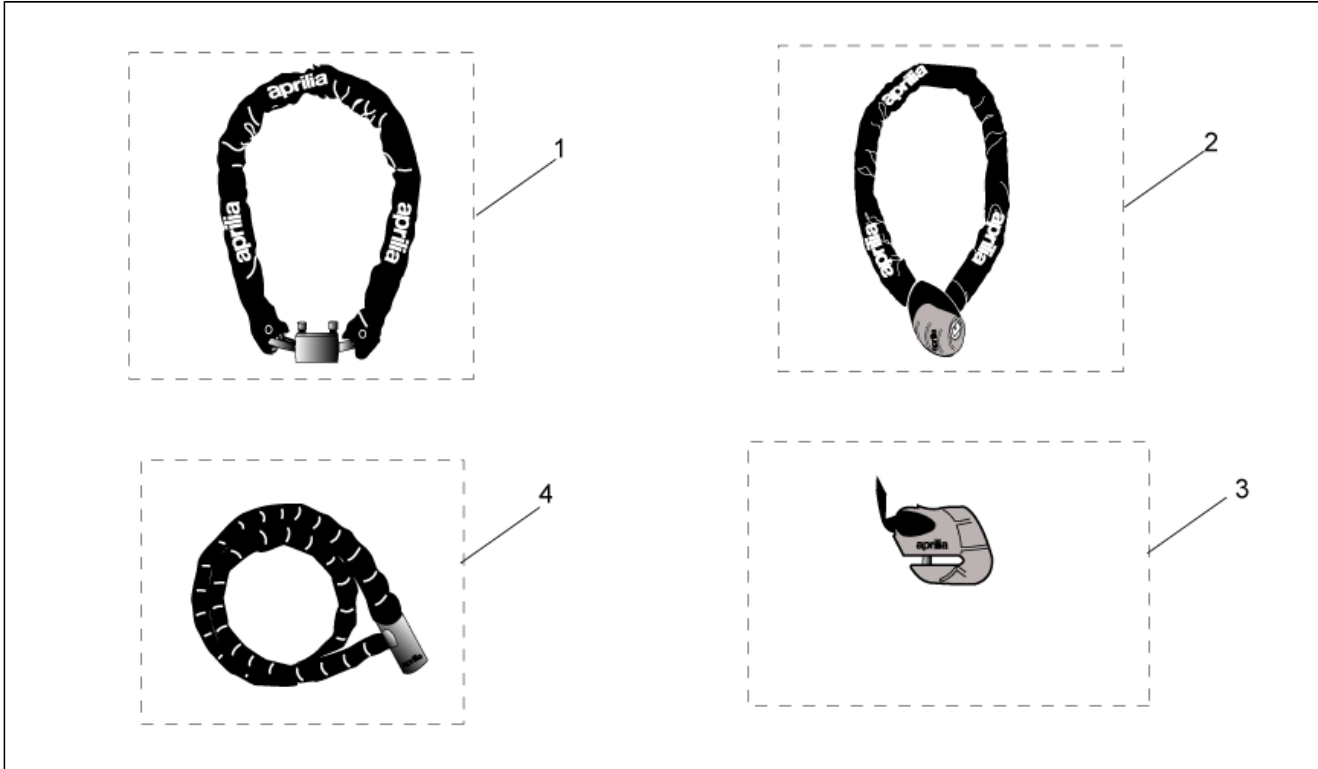
Pos.	Code	Description	Q.ty	Variants
1	AP8107132	Chain ring Z=41	1	year: 2003[3], 1998[W] Country: United States of America[USA] Technical Specifications: CHALLENGE Version United States[CHA]
2	AP8107133	Chain ring Z=43	1	year: 2003[3], 1998[W] Country: United States of America[USA] Technical Specifications: CHALLENGE Version United States[CHA]
3	AP8106606	Pinion Z=13	1	year: 2003[3], 1998[W] Country: United States of America[USA] Technical Specifications: CHALLENGE Version United States[CHA]
4	AP8106607	Pinion Z=15	1	year: 2003[3], 1998[W] Country: United States of America[USA] Technical Specifications: CHALLENGE Version United States[CHA]
5	AP8123874	Spring	1	year: 2003[3], 1998[W] Country: United States of America[USA] Technical Specifications: CHALLENGE Version United States[CHA]
6	AP8146205	Rear stand	1	year: 2003[3], 1998[W] Country: United States of America[USA] Technical Specifications: CHALLENGE Version United States[CHA]
7	AP8705007	Regulation key	1	year: 2003[3], 1998[W] Country: United States of America[USA] Technical Specifications: CHALLENGE Version United States[CHA]
8	AP8107131	Chain cpl conn.link	1	year: 2003[3], 1998[W] Country: United States of America[USA] Technical Specifications: CHALLENGE Version United States[CHA]
9	AP8102932	Operator's handbook -USA-	1	year: 2003[3], 1998[W] Country: United States of America[USA]

Assembly	ACCESSORIES
Code	30.62
Description	Accessories Kit - Challenge Version
Revision	1



Pos.	Code	Description	Q.ty	Variants
				Technical Specifications: CHALLENGE Version United States[CHA]
10	AP8102932	Operator's handbook -USA-	1	year: 2003[3], 1998[W] Country: United States of America[USA] Technical Specifications: CHALLENGE Version United States[CHA]
11	AP8157341	Technical decal set	1	year: 2003[3], 1998[W] Country: United States of America[USA] Technical Specifications: CHALLENGE Version United States[CHA]
12	AP8147674	Tank decal set	1	year: 2003[3], 1998[W] Country: United States of America[USA] Technical Specifications: CHALLENGE Version United States[CHA]
13	AP8147676	Fairing decal set	1	year: 2003[3], 1998[W] Country: United States of America[USA] Technical Specifications: CHALLENGE Version United States[CHA]
14	AP8147678	Front fairing decal set	1	year: 2003[3], 1998[W] Country: United States of America[USA] Technical Specifications: CHALLENGE Version United States[CHA]
15	AP8147680	Rear fairing decal set	1	year: 2003[3], 1998[W] Country: United States of America[USA] Technical Specifications: CHALLENGE Version United States[CHA]
16	AP8113842	Pads kit	1	year: 2003[3], 1998[W] Country: United States of America[USA] Technical Specifications: CHALLENGE Version United States[CHA]

Assembly	ACCESSORIES
Code	30.63
Description	Acc. - Mechanics anti-theft
Revision	1



Pos.	Code	Description	Q.ty	Variants
1	AP8720115	Iron Guard 10x150 mm	1	Technical Specifications:A[A]
2	AP8720116	Iron Guard 8x120 mm	1	Technical Specifications:A[A]
3	AP8720117	Iron Guard Disk 5 mm	1	Technical Specifications:A[A]
4	AP8720118	Easy Guard 150 mm	1	Technical Specifications:A[A]