

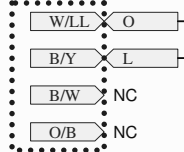


# Aprilia RS250

Only with firmware 31.xxxx, or higher

**REMOVE ORIGINAL CDI UNIT!**

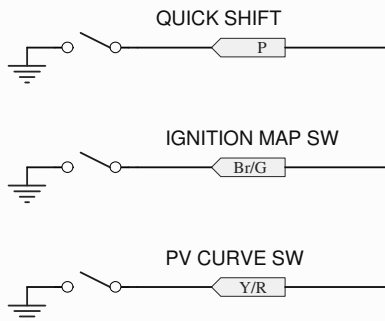
**CDI CONNECTOR**



**PDCI-20V**

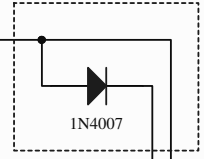
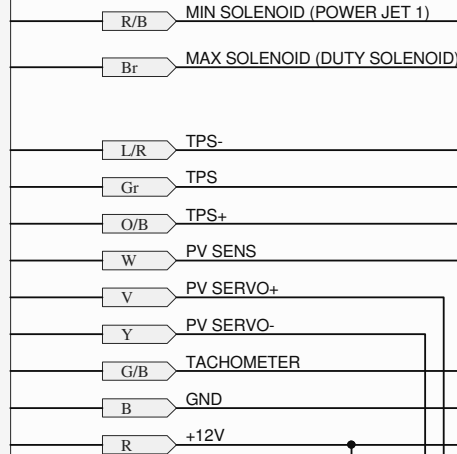
**COLOUR CODES:**

- B - black
- Br - brown
- L - blue
- LL - light blue
- G - green
- R - red
- W - white
- Gr - gray
- V - violet
- P - pink
- O - orange

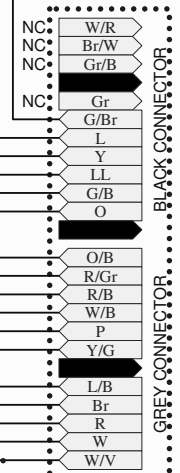


SW "open" = ignition map #1  
SW "close" = ignition map #2

SW "open" = PV curve #1  
SW "close" = PV curve #2



NC - not connected



**ORIGINAL CONTROLLER CONNECTORS**

**REMOVE ORIGINAL CONTROLLER!**

G/B wire not connected for models before 2001