



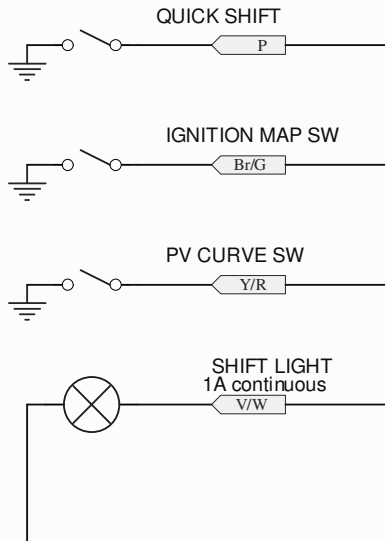
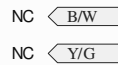
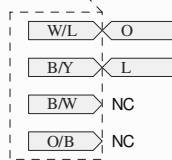
RGV250 VJ22

COLOUR CODES:

- B - black
- Br - brown
- L - blue
- LL - light blue
- G - green
- R - red
- W - white
- Gr - gray
- V - violet
- P - pink
- O - orange

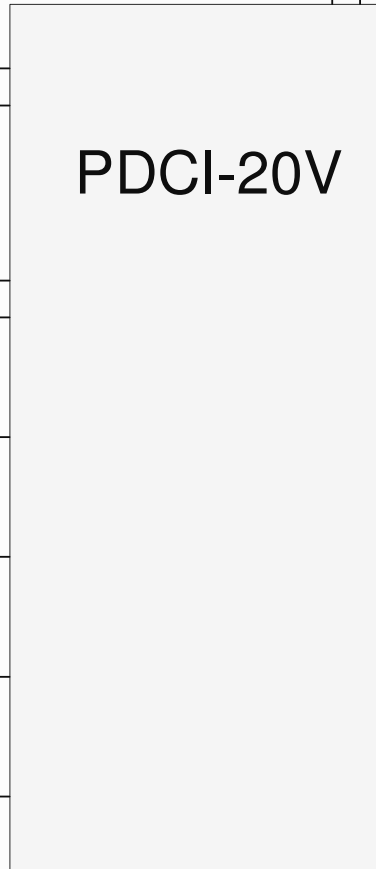
REMOVE ORIGINAL CDI UNIT!

CDI CONNECTOR



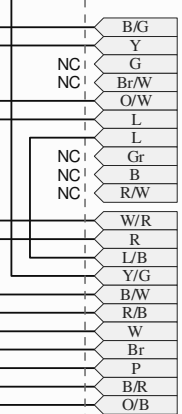
SW "open" = ignition map #1
SW "close" = ignition map #2

SW "open" = PV curve #1
SW "close" = PV curve #2



- R/B MIN SOLENOID (POWER JET 1)
- Br MAX SOLENOID (DUTY SOLENOID)
- L/R TPS-
- Gr TPS
- O/B TPS+
- W PV SENS
- V PV SERVO+
- Y PV SERVO-
- G/B TACHOMETER
- B GND
- R +12V

- G REAR PICKUP
- G/W FRONT PICKUP
- Br/W
- R/W



**ORIGINAL CONTROLLER CONNECTORS
REMOVE ORIGINAL CONTROLLER!**